

## BOND

BLS120

Bond Solo Series Lavatory Faucet with Straight Lever Handles



SHOWN IN BOND SOLO SERIES LAVATORY FAUCET WITH STRAIGHT LEVER HANDLES | BLS120

### TECHNICAL DETAILS

ADA Compliance: Yes  
 Deck Thickness Maximum: 1 11/16"  
 Deck Thickness Minimum: 1/4"  
 Drain Depth Maximum: 2 5/8"  
 Drain Depth Minimum: 3/8"  
 Drain Hole Diameter: 1 3/4"  
 Drain Style: Push Touch  
 Fittings Hole Diameter: 1 3/8"  
 Flow Restriction Options: 1.2  
 Handle Spread Maximum: 12"  
 Handle Spread Minimum: 8"  
 Handle Turn Angle: Quarter Turn  
 Inlet Connection Size: 1/2"  
 Inlet Connection Type: Male with Supply Nut  
 Number Of Holes: Three Hole  
 Primary Material: Brass  
 Restricted Maximum Flow Rate: 1.2 gpm  
 Spout Swivel: N  
 Valve Material: Ceramic  
 Water Pressure Maximum: 85.0 psi  
 Water Pressure Minimum: 20.0 psi  
 Water Pressure Recommended: 45.0 psi

### INSPIRATION

Modern designs infused with rare soul and artistry. Explore our wide range of Bond bath and kitchen elements, from fittings to fixtures to hardware.

### CODES & STANDARDS

BLS120X, NSF/ANSI/CAN 61:Q < 1, NSF/ANSI/CAN 372, ASME A112.18.1/CSA B125.1, CEC, State of MA

### PRODUCT FEATURES

Lever Handles

Includes Universal Push-Touch Drain (UNLD23) which fits 1-1/2" through 1-3/4" drain hole openings

Stocked in Chrome, Nickel, Brass and Dark Nickel

Available in 1.2gpm (4.5L/min) flow rate

### CERTIFICATIONS



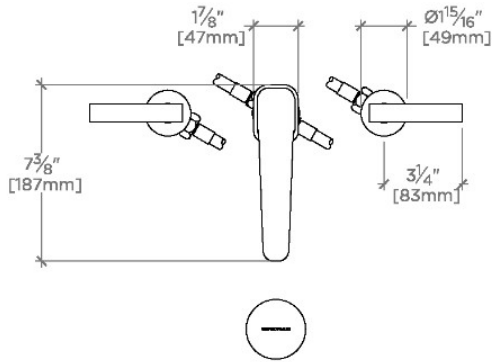
### PRODUCT (NOTES)

# WATERWORKS

## BOND

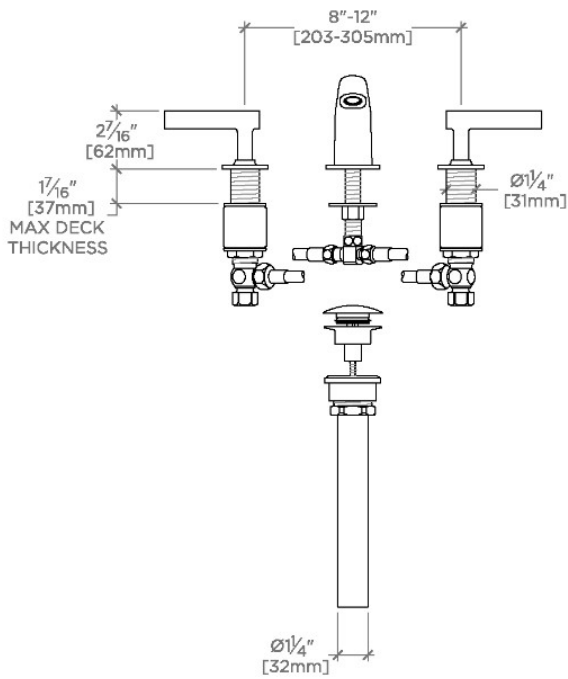
BLS120

Bond Solo Series Lavatory Faucet with Straight Lever Handles



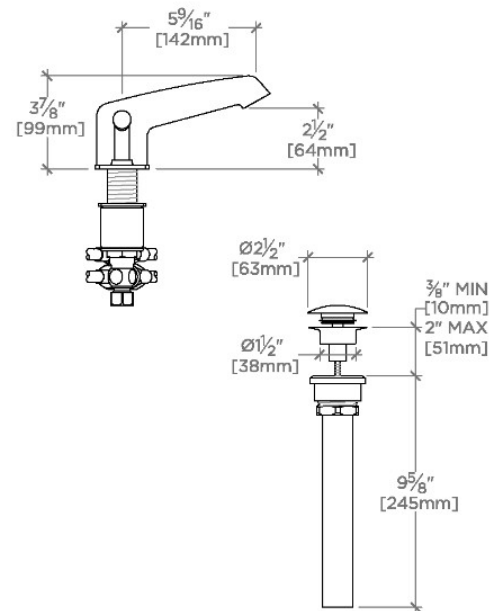
TOP VIEW

SCALE: 1<sup>1</sup>/<sub>2</sub>"=1'-0"



FRONT VIEW

SCALE: 1<sup>1</sup>/<sub>2</sub>"=1'-0"



SIDE VIEW

SCALE: 1<sup>1</sup>/<sub>2</sub>"=1'-0"