

FORMWORK

FM01HS

Formwork Handshower On Hook with Metal Handle



SHOWN IN FORMWORK HANDSHOWER ON HOOK WITH METAL HANDLE| FMHS01

TECHNICAL DETAILS

Adjustable Shelves: N
Adjustable versus Fixed Spray: Fixed Spray
Diameter of Head: 60 mm
Escutcheon Primary Material: Brass
Fittings Hole Diameter: 32 mm
Flow Restriction Options: 1.75, 1.5
Handshower / Spray Hose Length: 1.5 m
Depth / Width: 92 mm
Inlet Connection Size: 1/2"
Inlet Connection Type: Male G/BSPP
Installation Type: Wall Mounted
Integrated Diverter: N
Integrated Spray: N
Length: 60 mm
Pivot: N
Primary Material: Brass
Restricted Maximum Flow Rate: 9.5 liters/min
Spout Swivel: N
Spray Included in Unit: N
Suggested Application: Bath
Water Pressure Maximum: 6.0 bar
Water Pressure Minimum: 1.5 bar
Water Pressure Recommended: 3.0 bar

INSPIRATION

Sculptural forms that defy the ordinary. Unexpected geometry and the transition of the planes create a subtle but warm expression.

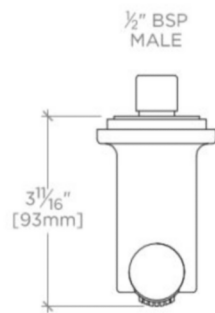
PRODUCT FEATURES

Handshower is easy and comfortable to grip
Standard flow rate is 2.5gpm (9.5 L/min). Also available in high efficiency flow options. Contact your sales associate or call 1 (800) 899-6757 for details.

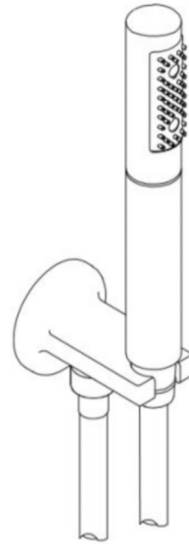
FORMWORK

FM01HS

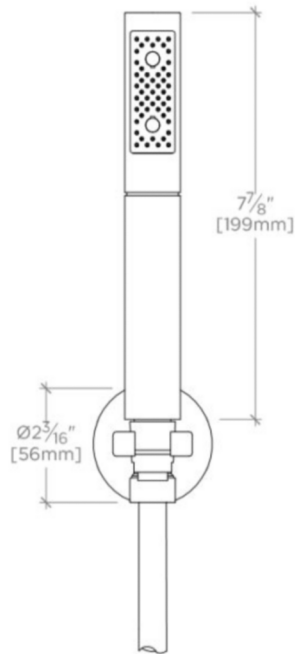
Formwork Handshower On Hook with Metal Handle



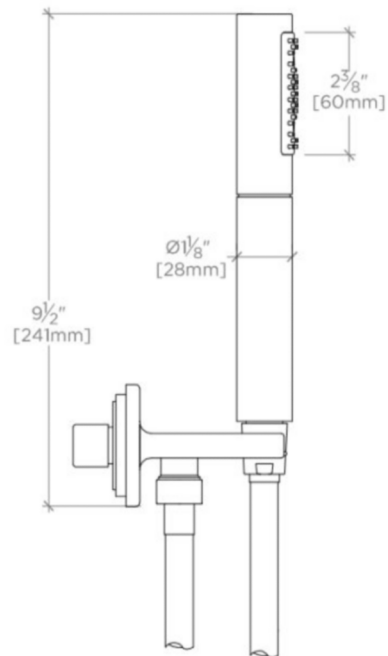
TOP VIEW SCALE: 3"=1'-0"



ISO VIEW SCALE: 3"=1'-0"



FRONT VIEW SCALE: 3"=1'-0"



SIDE VIEW SCALE: 3"=1'-0"