

## UNIVERSAL

## UNWO76

Universal Drain Plug Waste and Overflow Drain



SHOWN IN UNIVERSAL DRAIN PLUG WASTE AND OVERFLOW DRAIN| UNWO76

### TECHNICAL DETAILS

Drain Assembly Materials: Brass  
Drain Depth Maximum: 32 mm  
Drain Hole Diameter: 51 mm  
Drain Style: Pull-out Stopper with Chain  
Escutcheon Primary Material: Brass  
Depth / Width: 394 mm  
Drain Depth Minimum: 0 mm  
Height: 699 mm  
Length: 81 mm  
Outlet Connection Size: 1 1/2"  
Outlet Connection Type: Tailpiece with Slip Fit Gasket  
Overflow Depth Maximum: 23 mm  
Overflow Depth Minimum: 0 mm  
Overflow Hole Diameter: 51 mm  
Primary Material: Brass  
Suggested Application: Bath  
Waste and Overflow Horizontal Spread Maximum: 318 mm  
Waste and Overflow Horizontal Spread Minimum: 133 mm  
Waste and Overflow Vertical Spread Maximum: 559 mm  
Waste and Overflow Vertical Spread Minimum: 152 mm

### INSPIRATION

Our Universal collection features timeless designs complementing any of our Waterworks. With a wide range of product, from fittings to accessories, Universal adds exquisite proportion and balance to any environment.

### CODES & STANDARDS

Code # FDWO76: ASME A112.18.2 / CSA B125.2

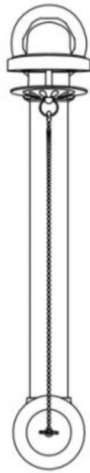
### PRODUCT FEATURES

This plug and chain design complements a traditional environment  
Stocked in Chrome, Nickel, Matte Nickel and Unlacquered Brass finishes  
For use with Waterworks Beveledere, Saxby, Claremont and Classic bathtubs

## UNIVERSAL

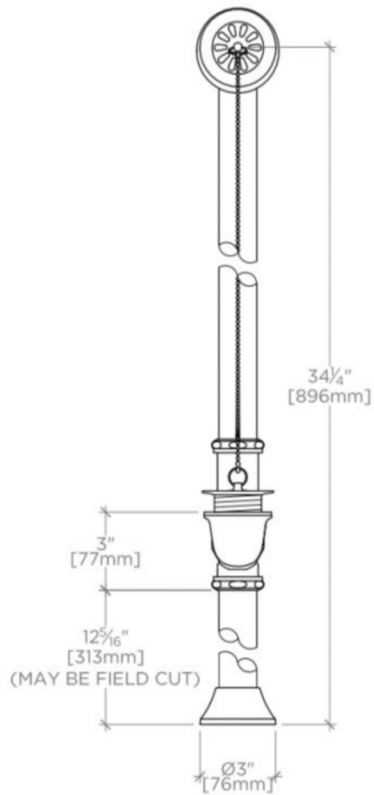
## UNWO76

Universal Drain Plug Waste and Overflow Drain



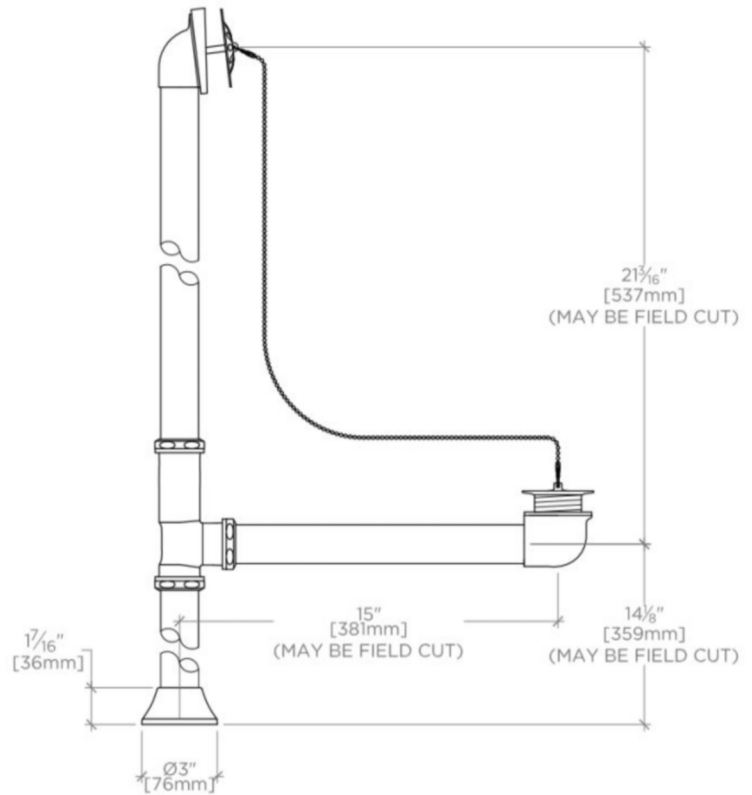
TOP VIEW

SCALE: 1/2"=1'-0"



FRONT VIEW

SCALE: 1/2"=1'-0"



SIDE VIEW

SCALE: 1/2"=1'-0"