

SIMONA

SA01LT

Simona Wall Mounted Single Sconce with Double Murano Glass Diffusers



SHOWN IN SIMONA WALL MOUNTED SINGLE SCONCE WITH DOUBLE MURANO GLASS DIFFUSERS | SA01LT

TECHNICAL DETAILS

Ambient Task: Ambient
 Depth/Width: 5 1/4"
 Height: 17"
 Installation Type: Wall Mounted
 Interior Exterior Application: Interior Only
 Length: 7 5/8"
 Light Direction: Omnidirectional from wall surface
 Orientation: Vertical or Horizontal
 Primary Material: Brass/Murano Glass
 Safety Warnings: Do not exceed max wattage.
 Shade Finish: Clear
 Shade Material: Glass
 Shade Shape: Rectangular
 Voltage: 240
 Wet/Dry: Damp or Dry

INSPIRATION

Our Simona collection is handmade in Italy from strikingly thick slabs of gleaming Murano glass, each rich in naturally occurring undulations and surface movement for dramatic visual impact. Each fixture is generously scaled to provide both soft illumination and sculptural presence.

CODES & STANDARDS

PRODUCT FEATURES

Proprietary design

Available in Brass or Nickel with Murano Glass Diffusers

Handcrafted in Italy

Dimmable integrated LED fixture - 50,000 hours of life

Our handblown glass diffusers are individually formed by skilled glassblowers, and natural air bubbles, slight movement within the glass, and subtle variation in shape - normal and inherent to the process - enhance their beauty and ensure no two fixtures are exactly alike.

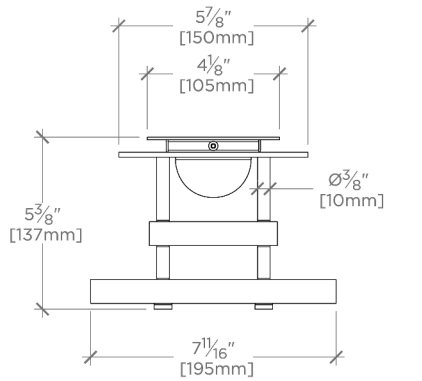
CERTIFICATIONS

PRODUCT (NOTES)

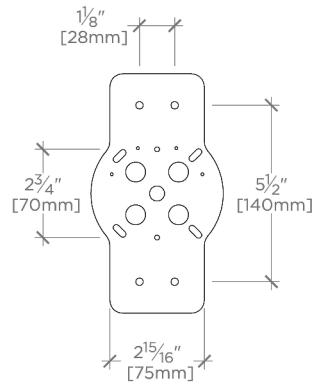
SIMONA

SA01LT

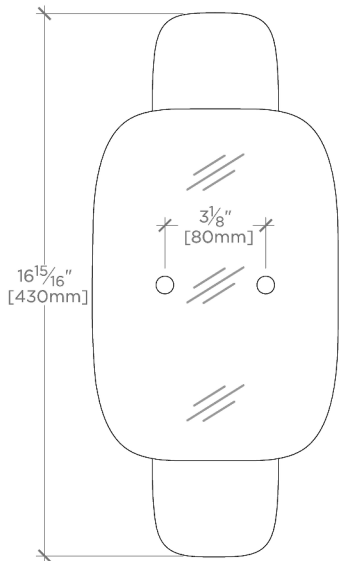
Simona Wall Mounted Single Sconce with Double Murano Glass Diffusers



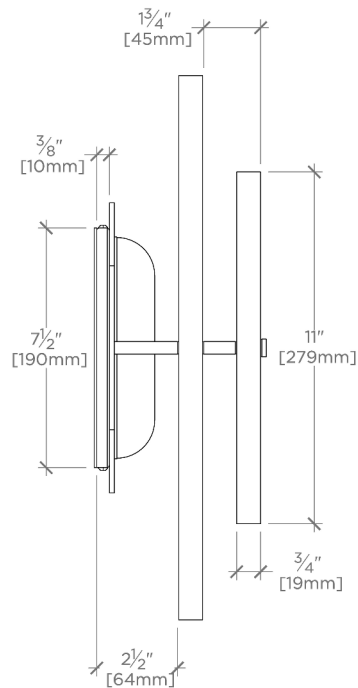
TOP VIEW SCALE: 2"=1'-0"



MOUNTING PLATE SCALE: 2"=1'-0"



FRONT VIEW SCALE: 2"=1'-0"



SIDE VIEW SCALE: 2"=1'-0"