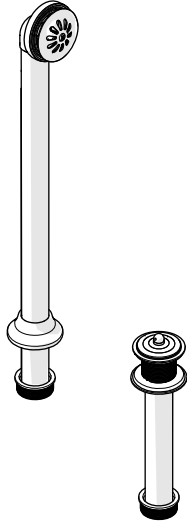


UNIVERSAL

Traditional Style Waste and Overflow

Installation Guidelines

STYLE No. UNWO10**SPECIFICATIONS:**

Drain Diameter: Ø1-7/8" [48mm]

Maximum Drain Depth: 1-1/2" [38mm]

Minimum Drain Depth: 3/8" [10mm]

Required Overflow Hole Diameter:

Ø2" [51mm] - Ø2-3/4" [70mm]

Tub Wall Thickness at Overflow Hole:

1/4" [6mm] **MIN** - 15/16" [24mm] **MAX****IMPORTANT:**

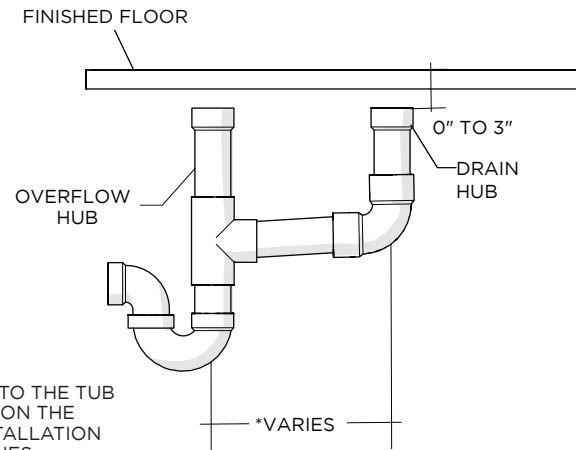
- Immediately after receiving the bathtub and removal of packing, you **MUST** inspect the unit for freight damage. Any claims for damage, whether apparent or hidden, must be made to the carrier immediately in order for them to assume all associated costs. Should inspection reveal any defect in the finish, do not install the bath tub. Damage or defect to the finish claimed after the bathtub is installed is excluded from the warranty. The warranty **DOES NOT** cover labor or materials to remove or reinstall the bathtub.
- To ensure this product is installed properly, you must read and follow these guidelines.
- The owner/user of this product must keep this information for future reference.
- All final connections are made below the finished floor. Accessibility below the finished floor is recommended.
- This product must be installed by a professional licensed contractor. Be sure your installation conforms to all federal, state, and local codes.
- Inspect this product to assure it is the correct model and you have all parts required for proper installation. Take all necessary precautions to ensure the tub is protected during installation.
- Ensure the bathtub is properly supported and adequate floor support is provided.
- The use of certain plumber's putty may stain stone or tile surfaces.

- Installations that have access from below the finished floor, trap adapters can be used instead of the SLIP JOINT GASKETS.

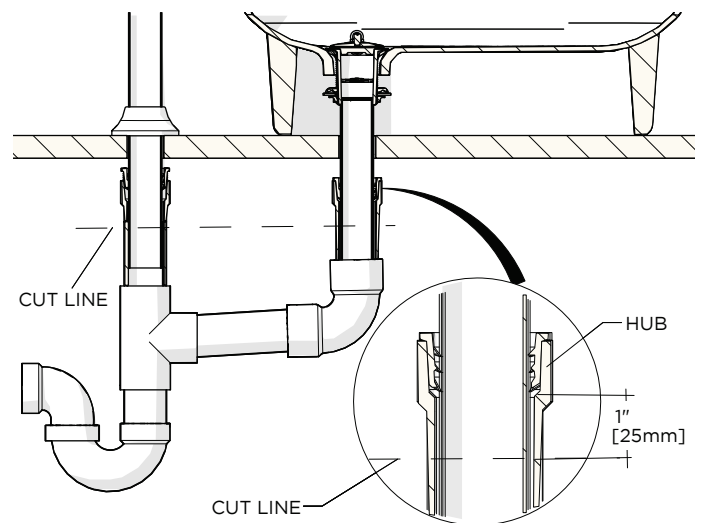
ROUGH-IN:

- See Figure - 01 for Steps 1 and 2.

1. Determine the placement of the BATHTUB and mark the floor at the center point of the drain opening then drill a hole through the floor to accommodate the drain.
2. Rough in a 1-1/2" DWV system (**not supplied**) with the spread of the tub being used. Assure all DWV system pipes and fittings are well supported to eliminate the possibility of shifting. Be sure the HUBS are 0 to 3" from the finished floor. If there is no access below the floor, position the HUBS as close to the finished floor as possible for easier installation. See FIGURE - 01.

**FIGURE - 01****CUTTING TAIL PIECES TO LENGTH:**

3. Place SLIP JOINT GASKETS in DRAIN HUBS.

**FIGURE - 02**

These guidelines have been prepared for the professional contractor to aid in the installation of: UNIVERSAL Traditional Waste and Overflow Style No: UNWO10
All dimensions are based on original specification and are subject to change and variation.
Please consult your Design Associate for current specifications.

WATERWORKS

UNIVERSAL

Traditional Style Waste and Overflow

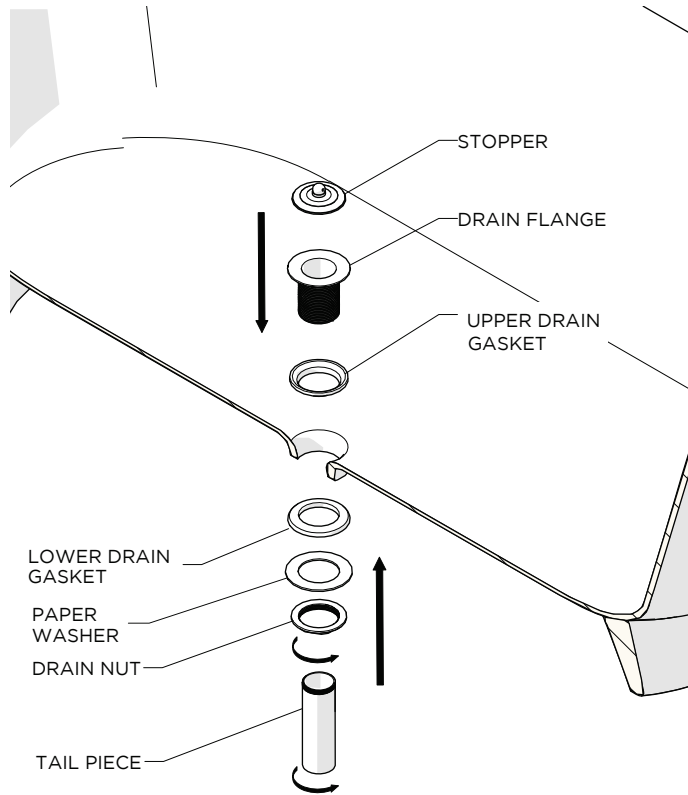
Installation Guidelines

4. Measure and cut the OVERFLOW RISER TUBE and the DRAIN TAIL PIECE so that they will extend 1" [25mm] past the SLIP JOINT GASKETS when installed. This length may vary depending on the bathtub. See FIGURE - 02.

TUB INSTALLATION:

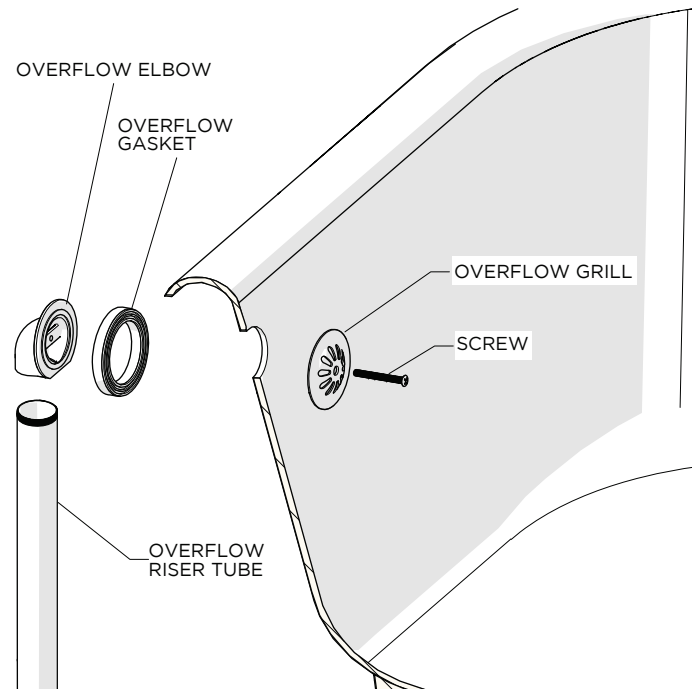
5. Cover the floor with a pad or other protective material and gently rest the BATHTUB on its side to allow for final drain and overflow installation.

- See Figure - 03 for Steps 6 - 9.

**FIGURE - 03**

6. Unthread the TAIL PIECE from the DRAIN FLANGE, then unthread the DRAIN NUT and remove the LOWER DRAIN GASKET, and the PAPER WASHER.
7. Apply a generous bead of silicone or putty to the UPPER DRAIN GASKET, and set the DRAIN FLANGE in the tub drain opening.
8. Apply a bead of silicone to the LOWER DRAIN GASKET, and install on the DRAIN FLANGE along with the PAPER WASHER, and secure with the DRAIN NUT.
9. Install the TAIL PIECE into the DRAIN FLANGE. Thread sealant is recommended on the TAIL PIECE threads.

- Figure - 04 for Steps 10 - 13.

**FIGURE - 04**

10. Remove OVERFLOW RISER PIPE from OVERFLOW ELBOW and apply thread sealant or pipe dope to threads. Re install elbow on to OVERFLOW RISER, and securely tighten.
11. Apply a generous bead of silicone adhesive to both sides of the OVERFLOW GASKET.
12. Assemble the OVERFLOW RISER to the overflow hole being sure to include the OVERFLOW GASKET, and OVERFLOW GRILL, then tighten SCREW.
13. Slide FLOOR ESCUTCHEON onto OVERFLOW RISER.
- See Figure 05 for Steps 14 - 16.
14. Apply a generous coating of silicone sealant to both the inside and outside of SLIP JOINT GASKETS, and place them in the HUBS.
15. Position the TUB, so the TAIL PIECE is positioned over the DRAIN HUB, and the OVERFLOW RISER is positioned over the OVERFLOW HUB.
16. Lower the TUB so the DRAIN TAIL PIECE and OVERFLOW RISER slip into the SLIP JOINT GASKETS.

These guidelines have been prepared for the professional contractor to aid in the installation of:
UNIVERSAL Traditional Style Waste and Overflow Style No: UNWO10
All dimensions are based on original specification and are subject to change and variation.
Please consult your Design Associate for current specifications.

WATERWORKS

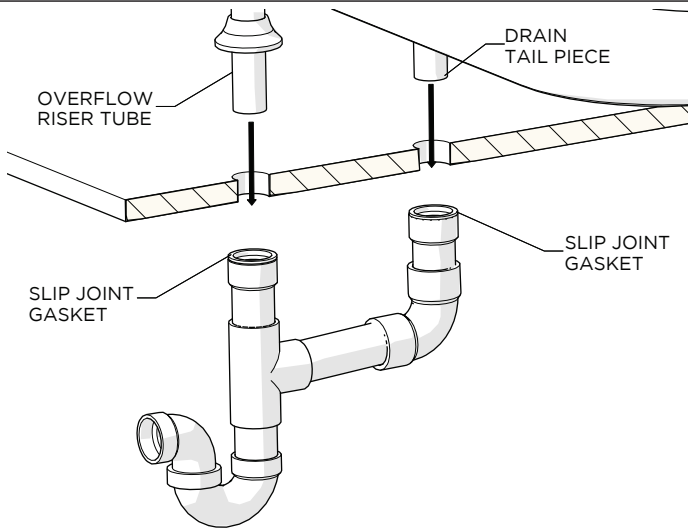


FIGURE - 05

NOTE: The silicone will act as a lubricant initially and then serve as a seal once it cures.

17. Verify the BATHTUB rests on its skirt and is level. If needed, add shims beneath the skirt.

FINISH AND INSPECT THE INSTALLATION:

18. Fill the BATHTUB with water to the point where water enters the overflow opening. Drain the BATHTUB while inspecting all connections above and below the flooring for leaks.
19. Run a bead of tub and tile caulk around the bottom edge of the tub where it meets the finished floor and finished walls for alcove installation.
20. Wipe away any excess caulk with a wet paper towel.
21. Cover the BATHTUB surface with a liner or other form of protection until construction is completed.

- If further assistance is required, please contact Product Support at 1-800-927-2120 Monday through Friday, 8am - 7pm EST.

WARNING: The following basic safety precautions should always be followed when using your bathtub.

- Caution should always be exercised when entering or leaving the bathtub.
- **DANGER:** To reduce the risk of injury, do not permit children or persons with a disability to use the bathtub without close supervision.
- Keep all electrical appliances such as radios and hairdryers a safe distance from the bathtub.
- Do **not** use the bathtub when sleepy or drowsy, under the influence of alcohol or prescription medications or when overheated.