

## FORMWORK

FMKM40

Formwork Three Hole Gooseneck Kitchen Faucet with Metal Knob Handles and Spray



SHOWN IN FORMWORK THREE HOLE GOOSENECK KITCHEN FAUCET WITH METAL KNOB HANDLES AND SPRAY| FMKM40

### TECHNICAL DETAILS

Adjustable Shelves: N  
 Adjustable versus Fixed Spray: Fixed Spray  
 Deck Thickness Maximum: 51 mm  
 Deck Thickness Minimum: 10 mm  
 Escutcheon Primary Material: Brass  
 Fitting Hole Configuration / Number: Three  
 Fittings Hole Diameter: 35 mm  
 Flow Restriction Options: 2.0, 1.75, 1.5  
 Handle Spread Maximum: 305 mm  
 Handle Spread Minimum: 203 mm  
 Handle Turn Angle: Quarter Turn  
 Handshower / Spray Hose Length: 1.5 m  
 Depth / Width: 256 mm  
 Height: 335 mm  
 Inlet Connection Size: 1/2"  
 Inlet Connection Type: Male with Supply Nut  
 Integrated Diverter: Y  
 Integrated Spray: Y  
 Number of Handles: One  
 Number of Holes: Four Hole  
 Primary Material: Brass  
 Restricted Maximum Flow Rate: 8.3 liters/min  
 Spout Swivel: Y  
 Spray Included in Unit: Y  
 Suggested Application: Bar, Kitchen, Laundry  
 Valve Material: Ceramic  
 Water Pressure Maximum: 6.0 bar  
 Water Pressure Minimum: 1.5 bar  
 Water Pressure Recommended: 3.0 bar

### INSPIRATION

Sculptural forms that defy the ordinary. Unexpected geometry and the transition of the planes create a subtle but warm expression.

### CODES & STANDARDS

Code # FMKM10X: Certified with cUPC, NSF, IAPMO, CSA, CEC

### PRODUCT FEATURES

Three hole faucet with side spray.  
 8 1/2" Gooseneck swivel spout.  
 Distinctive knob handles.  
 Standard flow rate is 2.2gpm (8.3 L/min) and State of California requires a maximum of 1.8gpm(6.8 L/min). Also available in other flow options. Contact a sales associate for details.

### CERTIFICATIONS

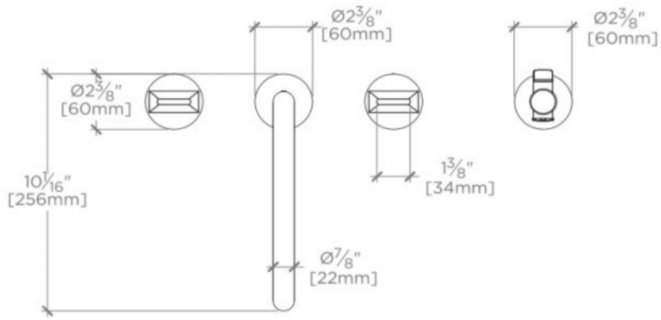


# WATERWORKS

## FORMWORK

FMKM40

Formwork Three Hole Gooseneck Kitchen Faucet with Metal Knob  
Handles and Spray



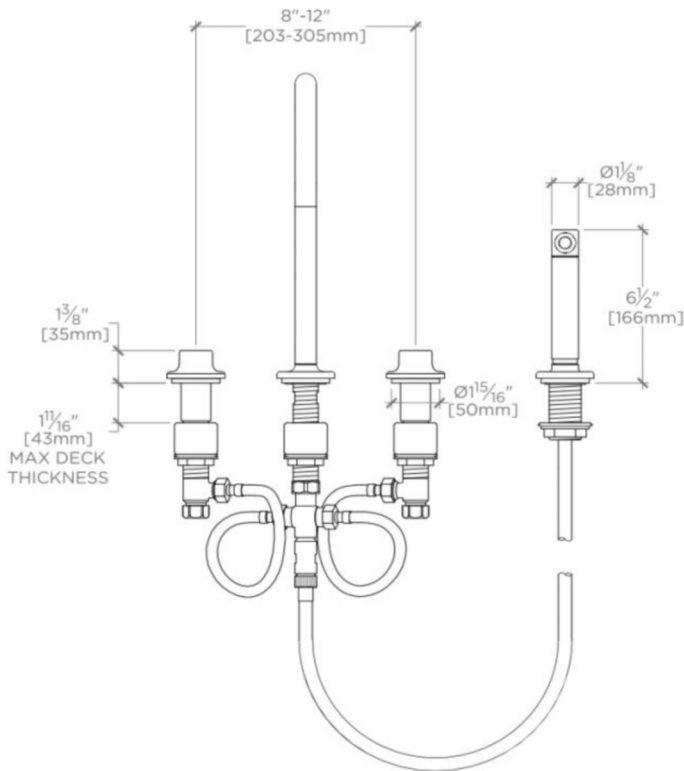
TOP VIEW

SCALE:  $1\frac{1}{2}$ "=1'-0"



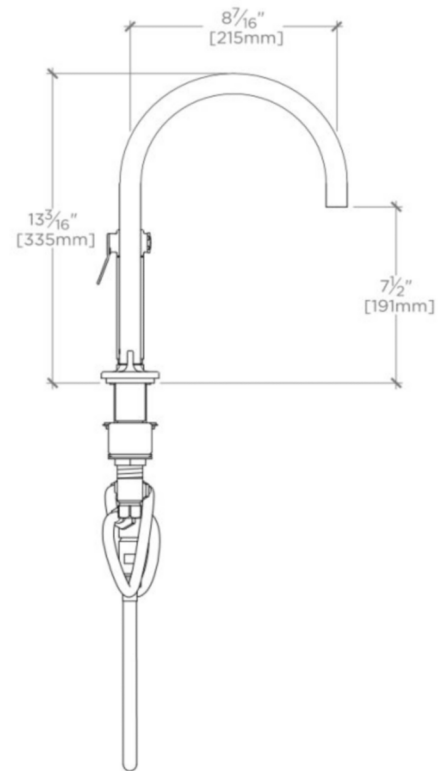
ISO VIEW

SCALE:  $1\frac{1}{2}$ "=1'-0"



FRONT VIEW

SCALE:  $1\frac{1}{2}$ "=1'-0"



SIDE VIEW

SCALE:  $1\frac{1}{2}$ "=1'-0"