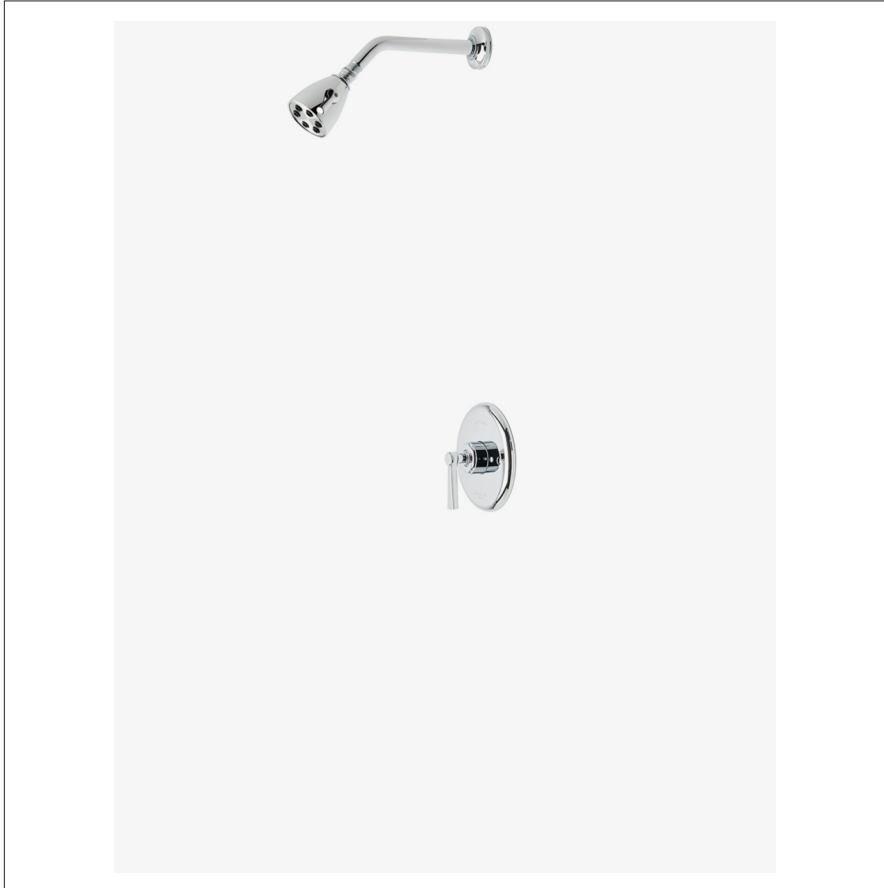


TRANSIT

TRSP01

Transit Pressure Balance Shower Package with 2 3/4" Head



SHOWN IN TRANSIT PRESSURE BALANCE SHOWER PACKAGE WITH 2 3/4" HEAD | TRSP01

TECHNICAL DETAILS

Suggested Application: Bath
Water Pressure Maximum: 85.0 psi
Water Pressure Minimum: 20.0 psi
Water Pressure Recommended: 45.0 psi

INSPIRATION

Stylish simplicity that fits into any decor. Each design represents a sophisticated mix of modern and traditional influences, streamlined into a sculpted and tapered look.

CODES & STANDARDS

See individual component styles for Code Compliance. TRSH01, UNSH38, TRPB10, GUPB81

PRODUCT FEATURES

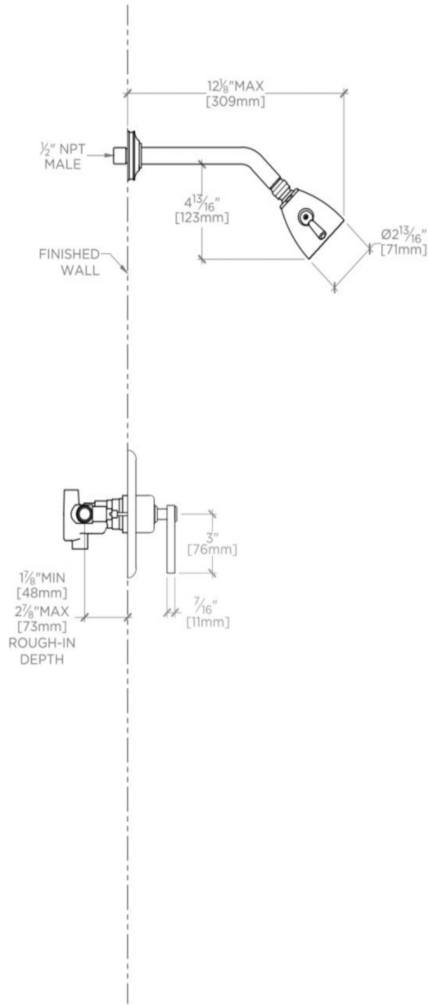
This shower package is composed of the following product styles: TRSH01, UNSH38, TRPB10, GUPB81



TRANSIT

TRSP01

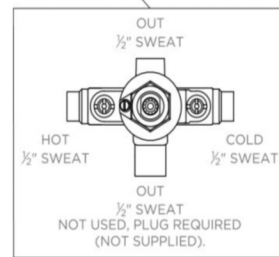
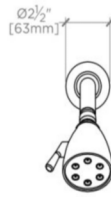
Transit Pressure Balance Shower Package with 2 3/4" Head



TRSP01

SIDE VIEW

THIS DRAWING IS NOT INTENDED FOR USE AS A PIPING SCHEMATIC



TRSP01

FRONT VIEW