

FORO

FRHW88

Foro 8" Back-to-Back Shower Door Pull



SHOWN IN FORO 8" BACK-TO-BACK SHOWER DOOR PULL | FRHW88

TECHNICAL DETAILS

INSPIRATION

A mix of historical references, including finely etched vintage silver, come together in this twist on classical design - a wonderfully elegant formal statement.

CODES & STANDARDS

PRODUCT FEATURES

Solid Brass

Lost Wax Cast

Made in the USA

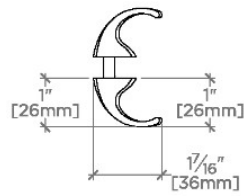
Back-to-back mounting with 6" spread

Works for doors a minimum of 3/8"-1/2" thick. Larger door thicknesses available upon request. Door thickness to be specified at time of order.

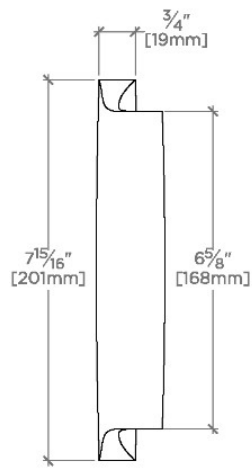
CERTIFICATIONS

PRODUCT (NOTES)

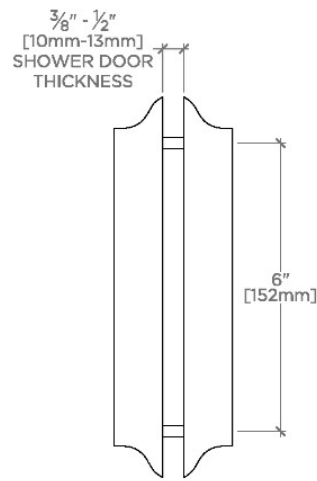
Foro 8" Back-to-Back Shower Door Pull



TOP VIEW SCALE: 3"=1'-0"



FRONT VIEW SCALE: 3"=1'-0"



SIDE VIEW SCALE: 3"=1'-0"