

## Henry Chronos

CN2P11

Henry Chronos Two Way Diverter Valve Trim for Pressure Balance with Roman Numerals and Lever Handle



SHOWN IN HENRY CHRONOS TWO WAY DIVERTER VALVE TRIM FOR PRESSURE BALANCE WITH ROMAN NUMERALS AND LEVER HANDLE | CN2P11

### TECHNICAL DETAILS

ADA Compliance: Yes  
 Fittings Hole Diameter: 51 mm  
 Handle Turn Angle: Quarter Turn  
 Number Of Holes: One Hole  
 Primary Material: Brass

### INSPIRATION

Inspired by dive watches, Henry Chronos radiates design prowess and technical precision. Chronos retains the design integrity of our original, iconic Henry collection, while imbuing it with modern details and exquisite materials.

### CODES & STANDARDS

ASME A112.18.1/CSA B125.1, State of MA

### PRODUCT FEATURES

- Features All Metal Lever Handle
- For Use With a Pressure Balance Shower System and Two Waterway Outlets
- Features Roman Numerals Representing Outlet Position
- Stocked in Brass, Chrome and Nickel
- Requires Rough Valve, Sold Separately: GUDV2P

### CERTIFICATIONS

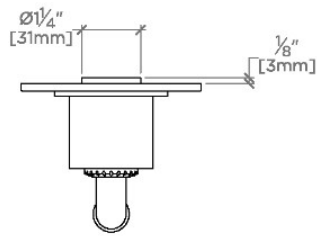


### PRODUCT (NOTES)

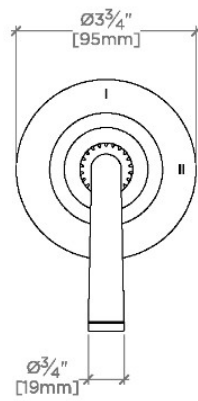
## Henry Chronos

CN2P11

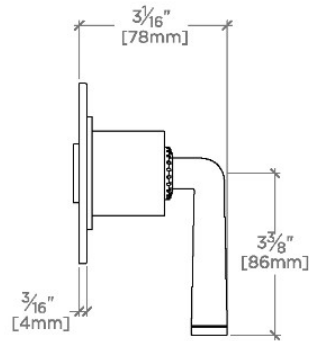
Henry Chronos Two Way Diverter Valve Trim for Pressure Balance with Roman Numerals and Lever Handle



TOP VIEW SCALE: 3"=1'-0"



FRONT VIEW SCALE: 3"=1'-0"



SIDE VIEW SCALE: 3"=1'-0"