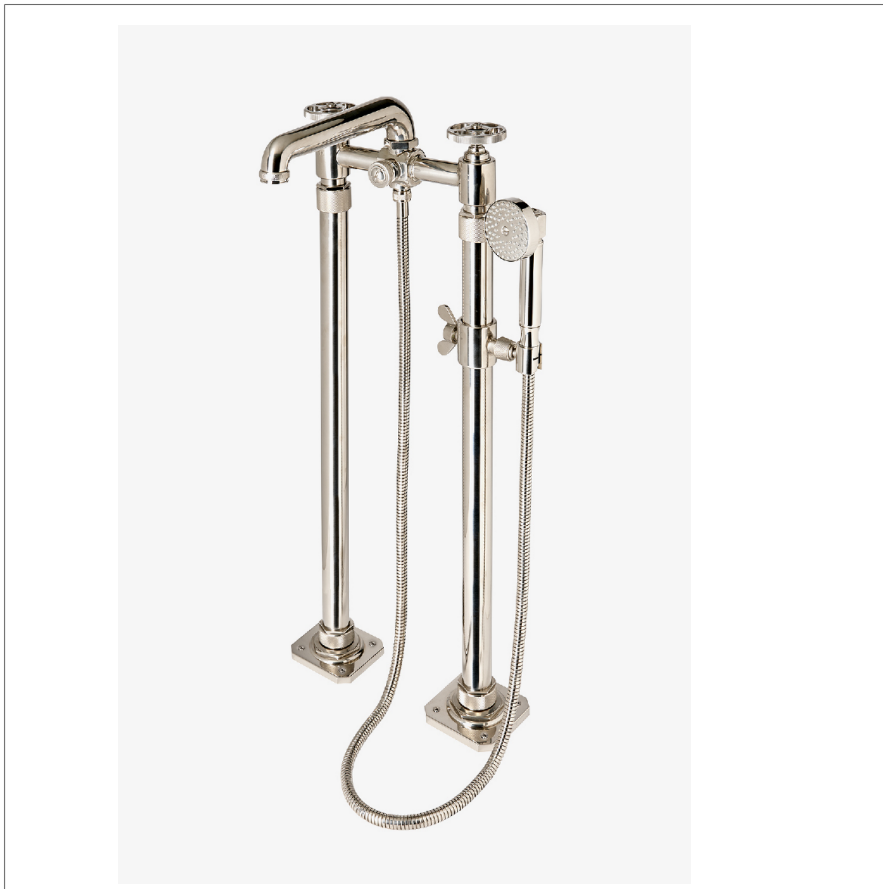


## R.W. Atlas

RWXT60

R.W. Atlas Exposed Floor Mounted Tub Filler with Handshower and Wheel Handles



SHOWN IN R.W. ATLAS EXPOSED FLOOR MOUNTED TUB FILLER WITH HANDSHOWER AND WHEEL HANDLES | RWXT60

### TECHNICAL DETAILS

ADA Compliance: Yes  
 Adjustable Versus Fixed Spray: Fixed Spray  
 Deck Thickness Maximum: 64 mm  
 Deck Thickness Minimum: 0 mm  
 Depth/Width: 295 mm  
 Diameter Of Head: 48 mm  
 Escutcheon Primary Material: Brass  
 Fittings Hole Diameter: 29 mm  
 Flow Restriction Options: 2.5, 2.0, 1.75, 1.5, 0.92  
 Handle Spread Maximum: 203 mm  
 Handle Spread Minimum: 203 mm  
 Handle Turn Angle: Quarter Turn  
 Height: 760 mm  
 Inlet Connection Size: 3/4"  
 Inlet Connection Type: Copper Sweat  
 Inlet Supply Spread Maximum: 203 mm  
 Inlet Supply Spread Minimum: 203 mm  
 Installation Type: Deck Mounted  
 Integrated Diverter: N  
 Integrated Spray: N  
 Length: 357 mm  
 Number Of Handles: Two  
 Primary Material: Brass  
 Restricted Maximum Flow Rate: 6.6 liters/min  
 Suggested Application: Bath  
 Valve Material: Ceramic  
 Water Pressure Maximum: 6.0 bar  
 Water Pressure Minimum: 1.5 bar  
 Water Pressure Recommended: 3.0 bar

### INSPIRATION

Powerful shapes, genuine materials and unique aesthetic details. The original, impeccable vision of R.W. Atlas pairs American ingenuity with European craftsmanship.

### CODES & STANDARDS

CEC, State of MA

### PRODUCT FEATURES

Includes Floor Unions

A handshower adds a degree of comfort, making it easy to rinse the bath or even a pet.

Unrestricted (spout) water flow of approximately 12 gpm (45 L/min).

Stocked in 2.5gpm (9.5 L/min) and 1.75gpm (6.6 L/min) for handshower. State of California requires 1.75gpm (6.6 L/min) to comply with their water conservation requirements. Other flow options are available to order, contact your sales associate or call 1 (800) 899-6757 for details.

### CERTIFICATIONS

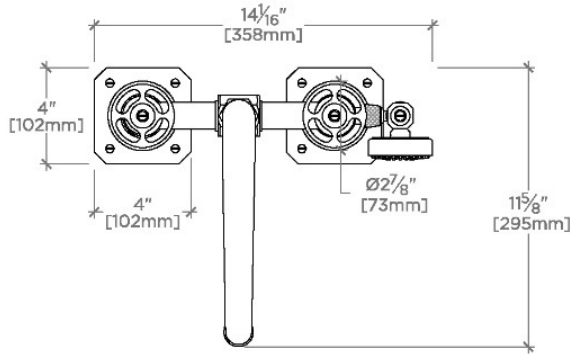
### PRODUCT (NOTES)

# WATERWORKS

## R.W. Atlas

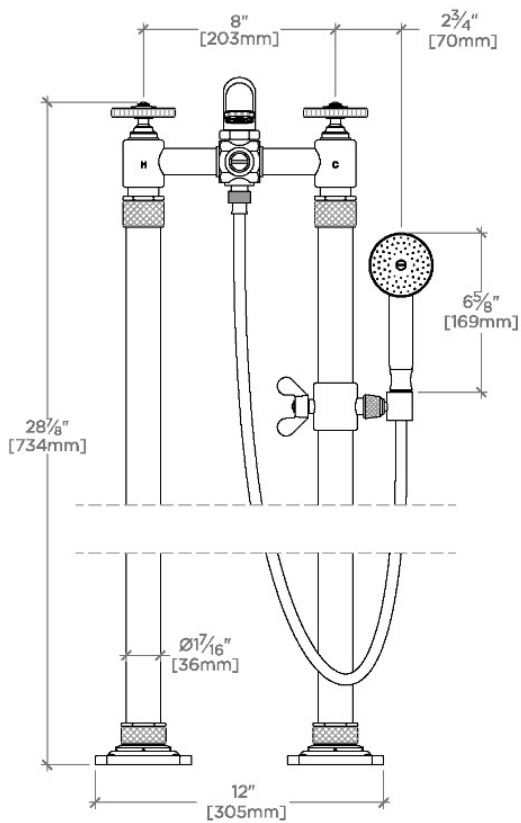
RWXT60

R.W. Atlas Exposed Floor Mounted Tub Filler with Handshower and Wheel Handles



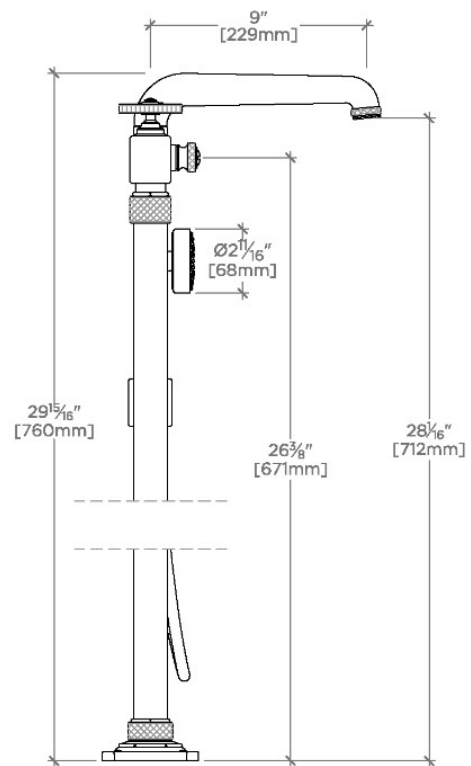
TOP VIEW

SCALE: 1/2"=1'-0"



FRONT VIEW

SCALE: 1/2"=1'-0"



SIDE VIEW

SCALE: 1/2"=1'-0"