

FORO

Foro Three Hole Gooseneck Kitchen Faucet, Metal Lever Handles and Spray

FRKM30



TECHNICAL DETAILS

Deck Thickness Maximum: 1 3/4"
Deck Thickness Minimum: 1/4"
Fittings Hole Diameter: 1 3/8"
Flow Restriction Options: 1.75
Handle Turn Angle: Quarter Turn
Inlet Connection Size: 1/2"
Inlet Connection Type: Male with Supply Nut
Restricted Maximum Flow Rate: 1.75 gpm
Valve Material: Ceramic
Water Pressure Maximum: 85.0 psi
Water Pressure Minimum: 20.0 psi
Water Pressure Recommended: 45.0 psi

INSPIRATION

A mix of historical references, including finely etched vintage silver, come together in this twist on classical design - a wonderfully elegant formal statement.

PRODUCT FEATURES

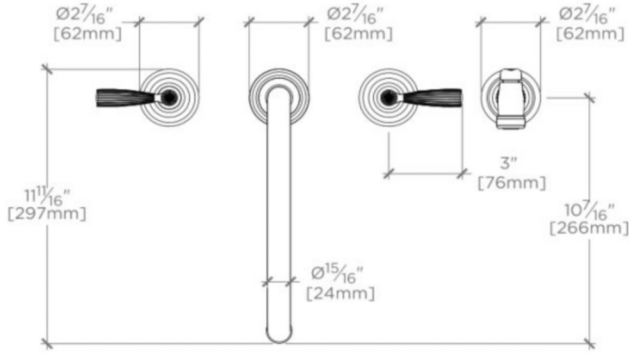
Lever handles with side spray. Swivel Spout
Easton Style sprayer, with spray calibration. Diverting Tee, to divert between sprayer and spout.
Features signature engraving detail
Quarter turn ceramic cartridge
Available in 2.2gpm (8.3 L/min)

WATERWORKS

FORO

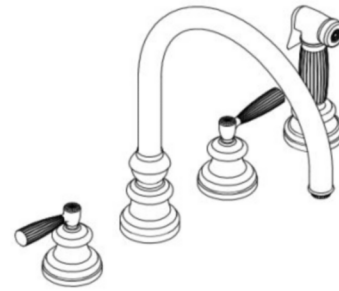
FRKM30

Foro Three Hole Gooseneck Kitchen Faucet, Metal Lever Handles and Spray



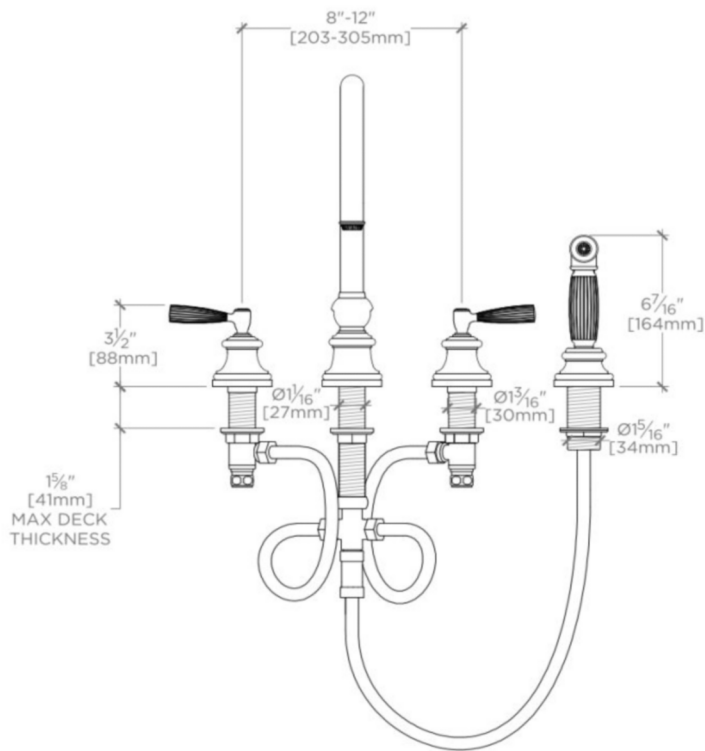
TOP VIEW

SCALE: 1 1/2"=1'-0"



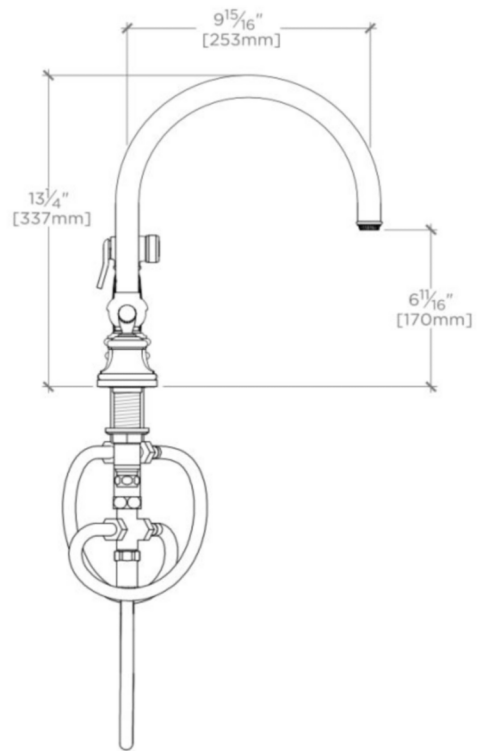
ISO VIEW

SCALE: 1 1/2"=1'-0"



FRONT VIEW

SCALE: 1 1/2"=1'-0"



SIDE VIEW

SCALE: 1 1/2"=1'-0"