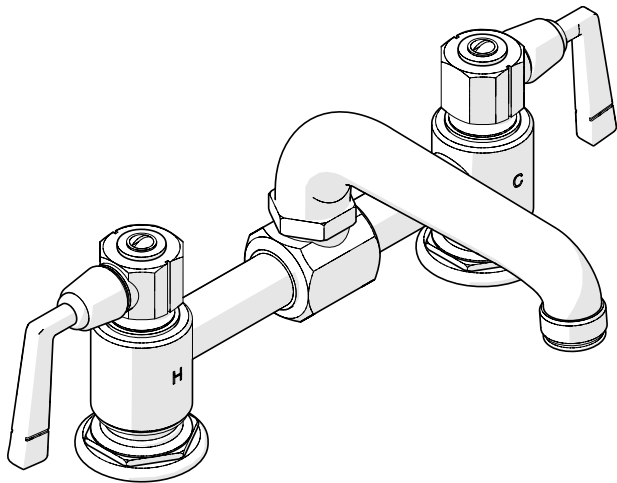


Side Mounted Metal Lever Handles
Style No. RWLS50

**SPECIFICATIONS:**

Drain Depth Maximum: 2-1/2"
 Drain Depth Minimum: 3/8"
 Drain Hole Diameter: 1-3/4"
 Drain Style: Push Touch (Drain Included)
 Fitting Hole Diameter: 1-3/8"
 Handle Spread: 8" (NOT ADJUSTABLE)
 Inlet Connection Size: 1/2"
 Inlet Connection Type: Male with supply nut
 Maximum Deck Thickness: 1-1/2"
 Minimum Deck Thickness: 3/8"
 Maximum Water Pressure: 80psi
 Minimum Water Pressure: 20psi
 Recommended Water Pressure: 45psi
 Restricted Maximum Flow Rate: 2.2gpm

IMPORTANT:

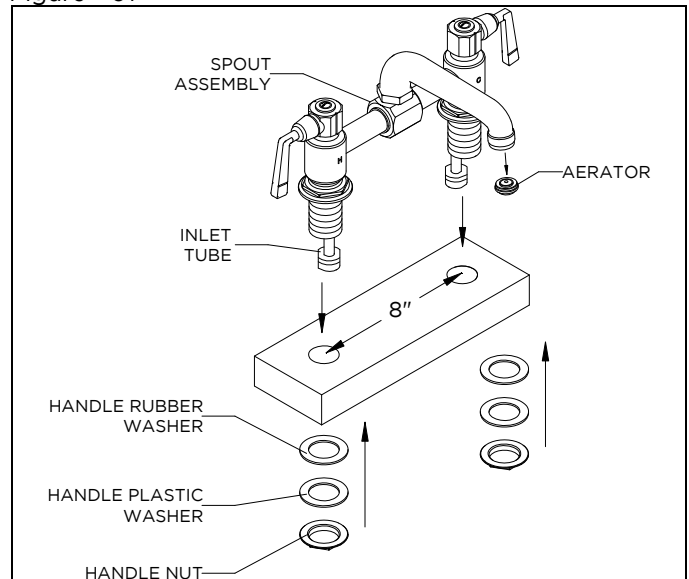
- **NOTE: The screws on the top of the handle assembly are aesthetic and do not serve any mechanical purposes and should not be removed.**
- To ensure this product is installed properly, you must read and follow these guidelines.
- The owner/user of this product must keep this information for future reference.
- The faucet must be onsite prior to rough-in and allows the installer to visualize the installation and match the 8" center spread.
- Be sure your installation conforms to federal state, and local codes. In the State of Massachusetts, all installations must comply with the rules and regulations set forth within 248 CMR.
- This product must be installed by a professional licensed contractor.

- Inspect this product to ensure you have all the parts required for proper installation.
- Use only a strap wrench or protected/smooth-jaw wrench on any finished surface.
- DO NOT use putty on deck fittings. Upper and lower washers are provided.

FAUCET INSTALLATION:

- See Figure - 01. for Steps 1-3.
1. Remove the rubber washer, plastic washer & nut from both of the spout assembly's threaded shanks. Note: The inlet tube may need to be unthreaded and removed in order to remove nut.
 2. Place the spout assembly through both holes in the deck, along with the outlet hose & inlet tube.
 3. Re-install rubber washer, plastic washer and nut from under the deck. Tighten the nut up against the bottom of the mounting surface to secure the spout assembly.

Figure - 01

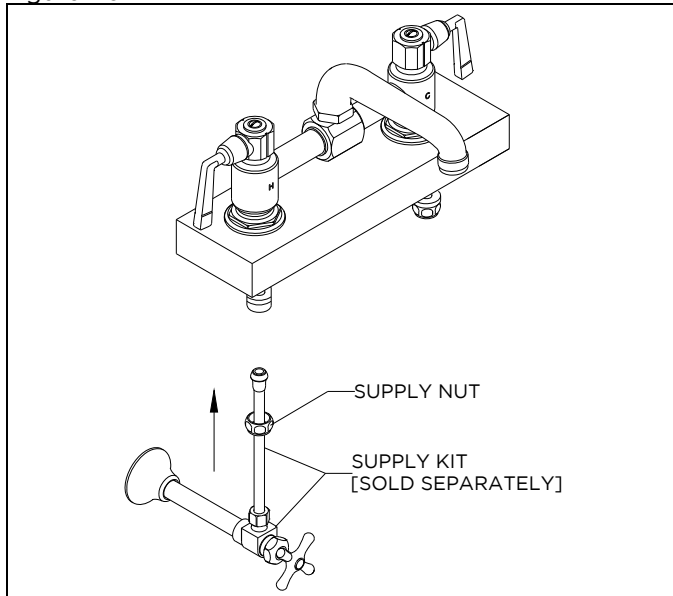


These guidelines have been prepared for the professional contractor to aid in the installation of:
 RW ATLAS BRIDGE TWO HOLE DECK MOUNTED LAVATORY FAUCET WITH METAL LEVER SIDE
 MOUNT HANDLES (STYLE# RWLS50)
 All dimensions are based on original specification and are subject to change and variation.
 Please consult your Design Associate for current specifications.
 SEE SERVICE PART DOCUMENT FOR PART ORDERING, AVAILABLE ON WATERWORKS.COM

WATERWORKS

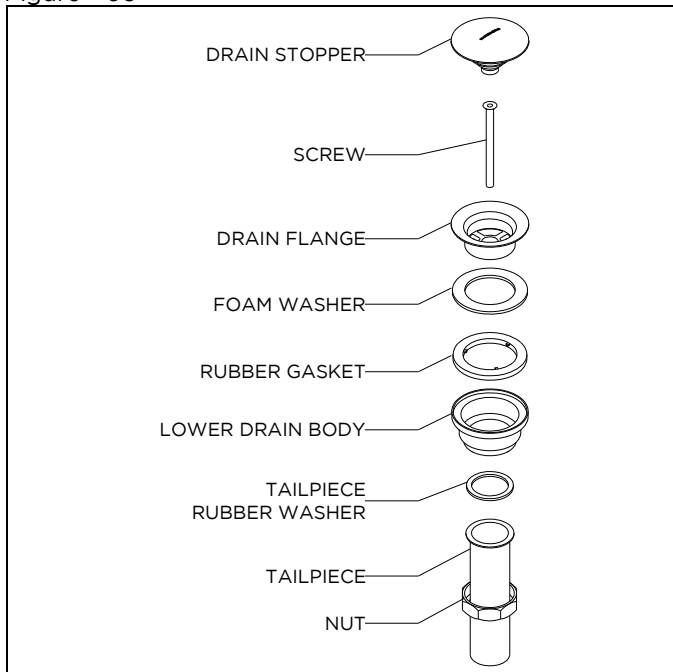
4. Attach supply kits [sold separately] to both inlet supply tubes, using the supply nut. See Figure - 02.

Figure - 02

**DRAIN INSTALLATION:**

5. Unthread and remove the drain stopper and lower drain body from the drain flange. The foam washer can be discarded then remove the tailpiece from the lower drain body. See Figure - 03.

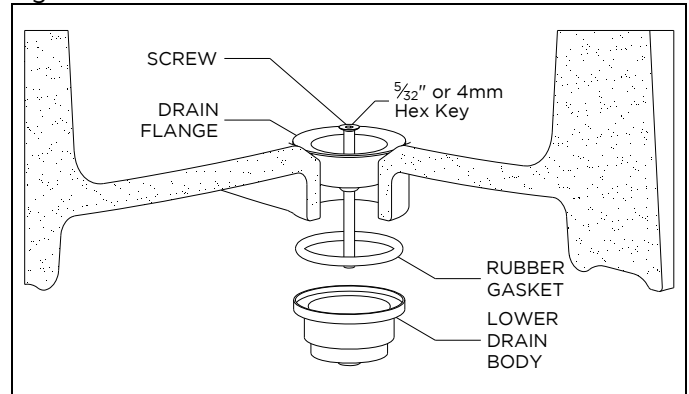
Figure - 03



6. Set the drain flange in the lavatory drain opening using putty or a clear adhesive silicone depending

on the mounting surface material.* Re-install the lower drain body with the screw, making sure to use the rubber gasket provided and tighten until fully secured. Putty or a clear adhesive silicone may be used to ensure a water-tight seal between the gasket and lavatory.* See Figure - 04.

Figure - 04



7. Re-install the tailpiece using the washer and nut then re-install the drain stopper.

INSPECT THE INSTALLATION:

8. Remove the flow restricting aerator using a flat head screwdriver or a coin, then carefully open the hot and cold valves to flush out any debris in the supply lines. See Figure 1.
9. Inspect all connections for leaks.
10. Close the drain and fill the sink with water to make sure the drain stopper and gasket operates and seals properly.
11. Re-install the flow restricting aerator making sure the washer is in place.
- The hex collars on the bottoms of the handle assembly can be rotated after installation to orientate the hexes so they are straight.
 - **The screws on the top of the handle assembly are aesthetic and do not serve any mechanical purposes and should not be removed.**
- * Putty contains oils and can cause permanent discoloration on certain materials such as marble, granite and any porous surface.
- **If further assistance is required, please contact Product Support at 1-800-927-2120 (8am-6pm EST).**
 - **See service part document for parts ordering, available on WATERWORKS.COM.**

These guidelines have been prepared for the professional contractor to aid in the installation of:
RW ATLAS BRIDGE TWO HOLE DECK MOUNTED LAVATORY FAUCET WITH METAL LEVER SIDE MOUNT HANDLES (STYLE# RWLSS0)

All dimensions are based on original specification and are subject to change and variation.

Please consult your Design Associate for current specifications.

SEE SERVICE PART DOCUMENT FOR PART ORDERING, AVAILABLE ON WATERWORKS.COM

WATERWORKS