

## Universal

UNPT48

Universal Bottle P-Trap 1 1/4" x 1 1/4"



SHOWN IN UNIVERSAL BOTTLE P-TRAP 1 1/4" X 1 1/4" | UNPT48

### TECHNICAL DETAILS

ADA Compliance: When installed per ADA guidelines  
Depth/Width: 330 mm  
Escutcheon Primary Material: Brass  
Height: 152 mm  
Inlet Connection Size: 1 1/4"  
Inlet Connection Type: Compression  
Length: 86 mm  
Outlet Connection Size: 1 1/4"  
Outlet Connection Type: Compression  
Primary Material: Brass  
Suggested Application: Bath

### INSPIRATION

Our Universal collection features timeless designs complementing any of our Waterworks. With a wide range of product, from fittings to accessories, Universal adds exquisite proportion and balance to any environment.

### CODES & STANDARDS

Code # FDMS48: UPC

### PRODUCT FEATURES

Complete the Waterworks aesthetic with a simple, refined and superbly functional Universal bottle p-trap

This item is stocked in Chrome, Nickel or Matte Nickel finishes and additional made-to-order finish options are available in 12 weeks from purchase

Made from intricately hand-fitted and polished brass

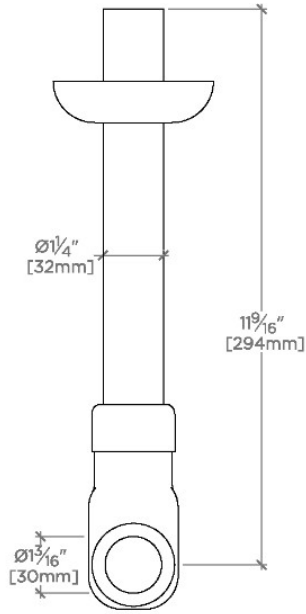
### CERTIFICATIONS

### PRODUCT (NOTES)

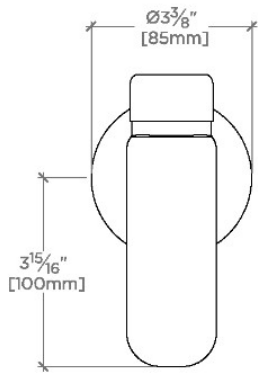
## Universal

UNPT48

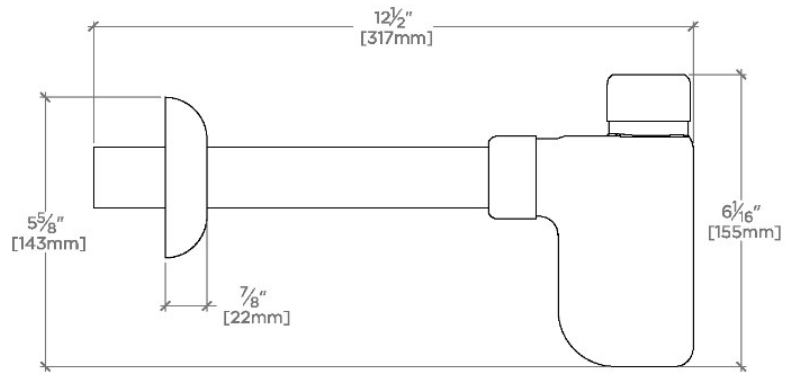
Universal Bottle P-Trap 1 1/4" x 1 1/4"



TOP VIEW SCALE: 3"=1'-0"



FRONT VIEW SCALE: 3"=1'-0"



SIDE VIEW SCALE: 3"=1'-0"