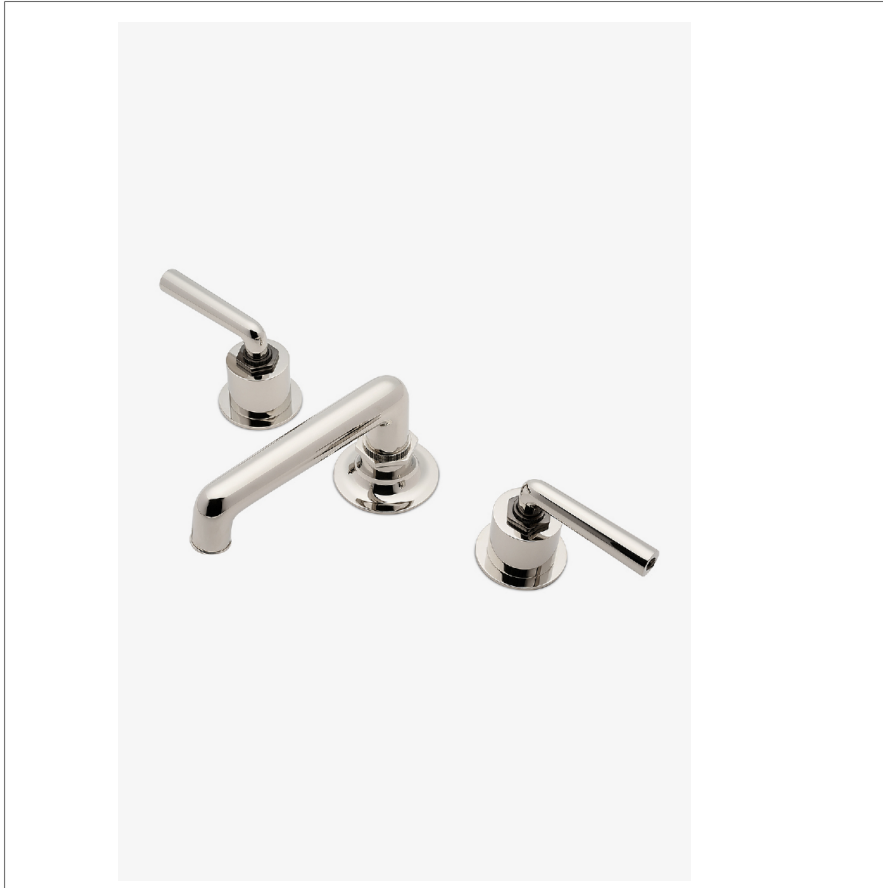


Henry

HLS112

Henry Lavatory Faucet with Two Tone Lever Handles



SHOWN IN HENRY LAVATORY FAUCET WITH TWO TONE LEVER HANDLES | HLS112

TECHNICAL DETAILS

ADA Compliance: Yes
 Deck Thickness Maximum: 40 mm
 Deck Thickness Minimum: 8 mm
 Drain Depth Maximum: 51 mm
 Drain Depth Minimum: 10 mm
 Drain Hole Diameter: 38 mm
 Drain Style: Push Touch
 Fittings Hole Diameter: 35 mm
 Flow Restriction Options: 1.2
 Handle Spread Maximum: 305 mm
 Handle Spread Minimum: 203 mm
 Handle Turn Angle: Quarter Turn
 Inlet Connection Size: 1/2"
 Inlet Connection Type: Male with Supply Nut
 Number Of Holes: Three Hole
 Primary Material: Brass
 Restricted Maximum Flow Rate: 4.5 liters/min
 Spout Swivel: N
 Valve Material: Brass and Ceramic
 Water Pressure Maximum: 6.0 bar
 Water Pressure Minimum: 1.5 bar
 Water Pressure Recommended: 3.0 bar

INSPIRATION

Influenced by the connection of industry and art Henry easily transitions between modern, traditional, utilitarian and classic settings.

CODES & STANDARDS

HLS112X, NSF/ANSI/CAN 61:Q < 1, NSF/ANSI/CAN 372, ASME A112.18.1/CSA B125.1, CEC, DOE, State of MA

PRODUCT FEATURES

Features Two Tone Cross Handles

Includes a Universal Push Touch Drain Sized to Fit US and Euro Sink Drain Openings

Stocked in Nickel/Dark Nickel and Brass/Dark Nickel

Available in 1.2gpm (4.5L/min) Flow Rate

CERTIFICATIONS

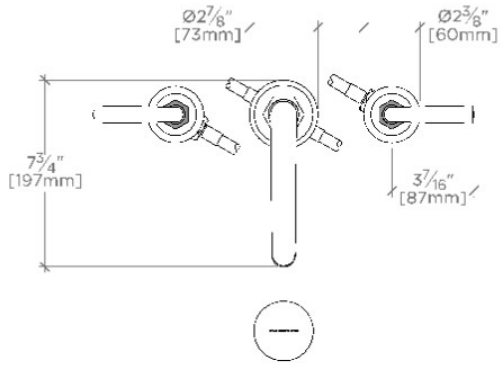


PRODUCT (NOTES)

Henry

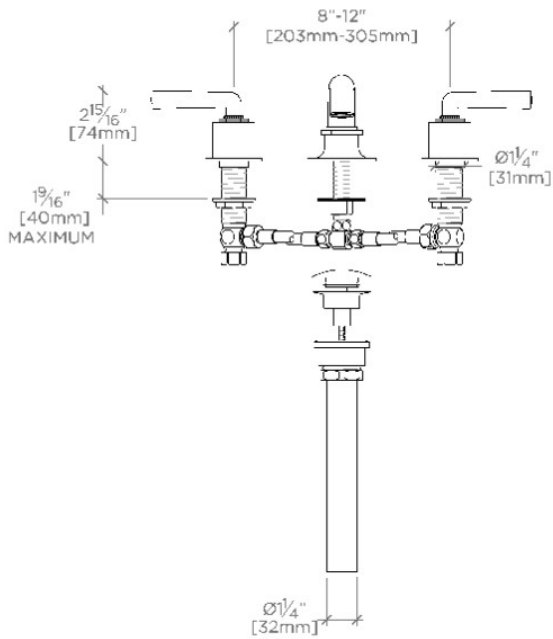
HLS112

Henry Lavatory Faucet with Two Tone Lever Handles



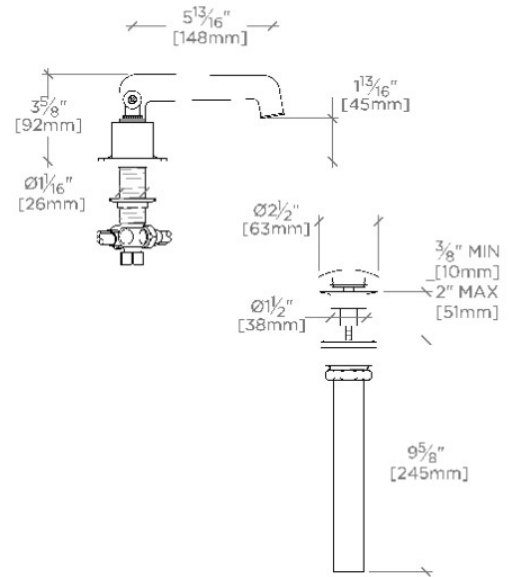
TOP VIEW

SCALE: 1/2"=1'-0"



FRONT VIEW

SCALE: 1/2"=1'-0"



SIDE VIEW

SCALE: 1/2"=1'-0"