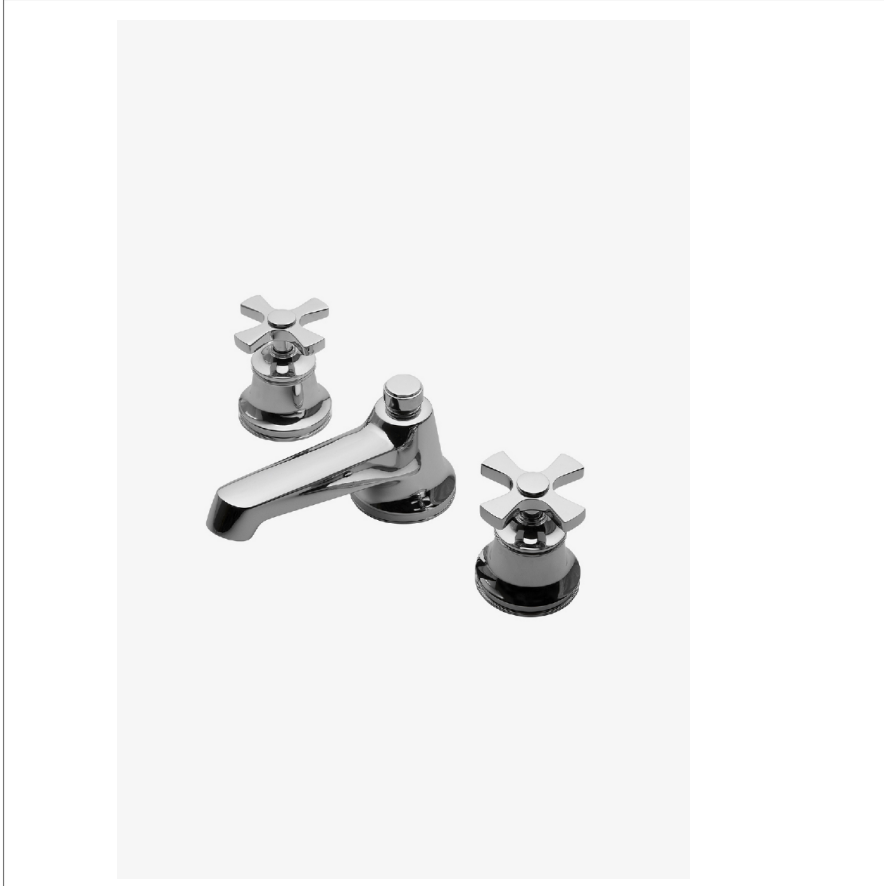


## Transit

TRLS01

Transit Lavatory Faucet with Cross Handles



SHOWN IN TRANSIT LAVATORY FAUCET WITH CROSS HANDLES | TRLS01

### TECHNICAL DETAILS

ADA Compliance: Yes  
 Adjustable Versus Fixed Spray: Fixed Spray  
 Deck Thickness Maximum: 54 mm  
 Deck Thickness Minimum: 10 mm  
 Depth/Width: 184 mm  
 Drain Depth Maximum: 51 mm  
 Drain Depth Minimum: 32 mm  
 Drain Hole Diameter: 38 mm  
 Escutcheon Primary Material: Brass  
 Fittings Hole Diameter: 35 mm  
 Flow Restriction Options: 1.2  
 Handle Spread Maximum: 305 mm  
 Handle Spread Minimum: 203 mm  
 Handle Turn Angle: Quarter Turn  
 Height: 84 mm  
 Index Marking: Blank  
 Inlet Connection Size: 1/2"  
 Inlet Connection Type: Male with Supply Nut  
 Inlet Supply Spread Maximum: 305 mm  
 Inlet Supply Spread Minimum: 203 mm  
 Installation Type: Deck Mounted  
 Integrated Diverter: N  
 Integrated Spray: N  
 Length: 292 mm  
 Number Of Handles: Two  
 Number Of Holes: Three Hole  
 Primary Material: Brass  
 Spout Swivel: N  
 Spray Included In Unit: N  
 Suggested Application: Bath  
 Valve Material: Ceramic  
 Water Pressure Maximum: 6.0 bar  
 Water Pressure Minimum: 1.5 bar  
 Water Pressure Recommended: 3.0 bar

### INSPIRATION

Stylish simplicity that fits into any decor. Each design represents a sophisticated mix of modern and traditional influences, streamlined into a sculpted and tapered look.

### CODES & STANDARDS

TRLS01X, NSF/ANSI/CAN 61:Q < 1, NSF/ANSI/CAN 372, ASME A112.18.1/CSA B125.1, CEC, State of MA

### PRODUCT FEATURES

Cross Handles

Includes Universal Pop-Up Drain (UNLD40) which fits 1-1/2" through 1-3/4" drain hole openings

Stocked in Chrome, Nickel and Brass

Available in 1.2gpm (4.5L/min) flow rate

### CERTIFICATIONS

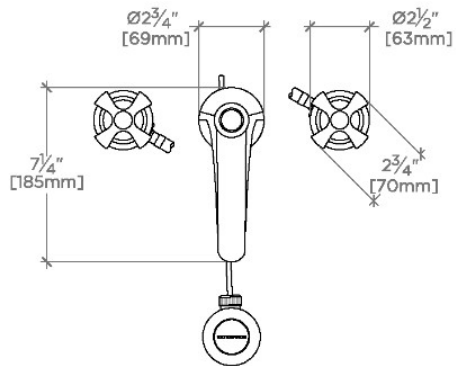


### PRODUCT (NOTES)

## Transit

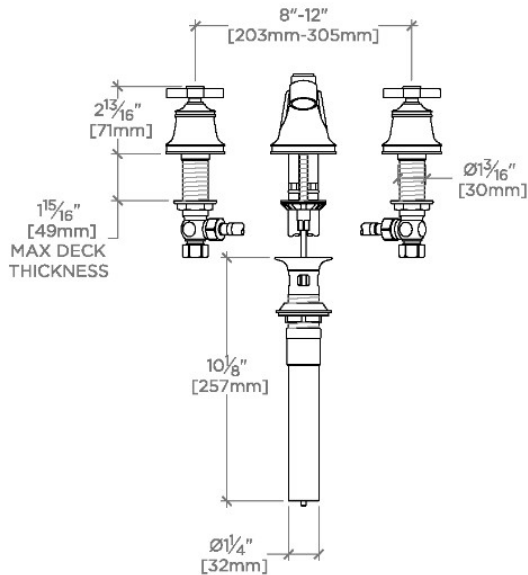
TRLS01

Transit Lavatory Faucet with Cross Handles



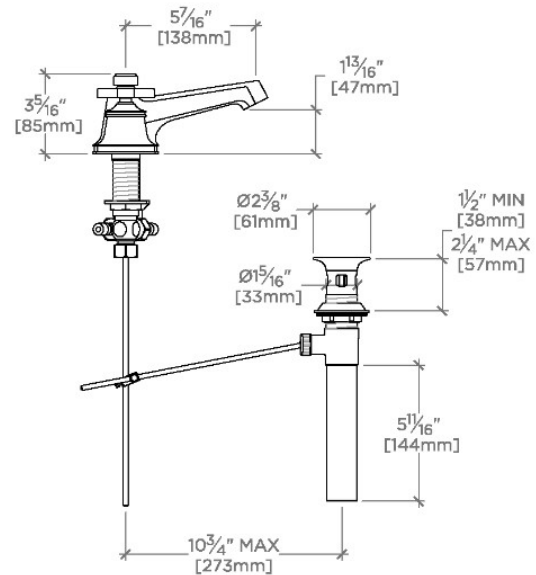
TOP VIEW

SCALE: 1/2"=1'-0"



FRONT VIEW

SCALE: 1/2"=1'-0"



SIDE VIEW

SCALE: 1/2"=1'-0"