

FORMWORK

FMLS30

Formwork Gooseneck Three Hole Deck Mounted Lavatory Faucet with Metal Lever Handles



SHOWN IN NICKEL

TECHNICAL DETAILS

ADA Compliance: Yes
Deck Thickness Maximum: 51 mm
Deck Thickness Minimum: 10 mm
Drain Depth Maximum: 67 mm
Drain Hole Diameter: 44 mm
Drain Style: Push Touch
Escutcheon Primary Material: Brass
Fittings Hole Diameter: 35 mm
Flow Restriction Options: 1.0, 1.2, 1.5, 1.75, 2.2
Handle Spread Maximum: 305 mm
Handle Spread Minimum: 203 mm
Handle Turn Angle: Quarter Turn
Depth / Width: 191 mm
Drain Depth Minimum: 10 mm
Height: 230 mm
Inlet Connection Size: 1/2"
Inlet Connection Type: Male with Supply Nut
Inlet Supply Spread Maximum: 305 mm
Inlet Supply Spread Minimum: 203 mm
Length: 346 mm
Number of Holes: Three Hole
Primary Material: Brass
Spout Swivel: N
Suggested Application: Bath
Valve Material: Ceramic
Water Pressure Maximum: 6.0 bar
Water Pressure Minimum: 1.5 bar
Water Pressure Recommended: 3.0 bar

INSPIRATION

Sculptural forms that defy the ordinary. Unexpected geometry and the transition of the planes create a subtle but warm expression.

PRODUCT FEATURES

Lever Handles

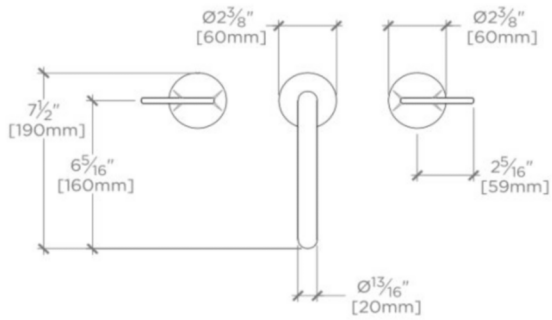
Modern Push-Touch Euro style drain included.

Available in 1.2gpm (4.5L/min) flow rate

FORMWORK

FMLS30

Formwork Gooseneck Three Hole Deck Mounted Lavatory Faucet with Metal Lever Handles



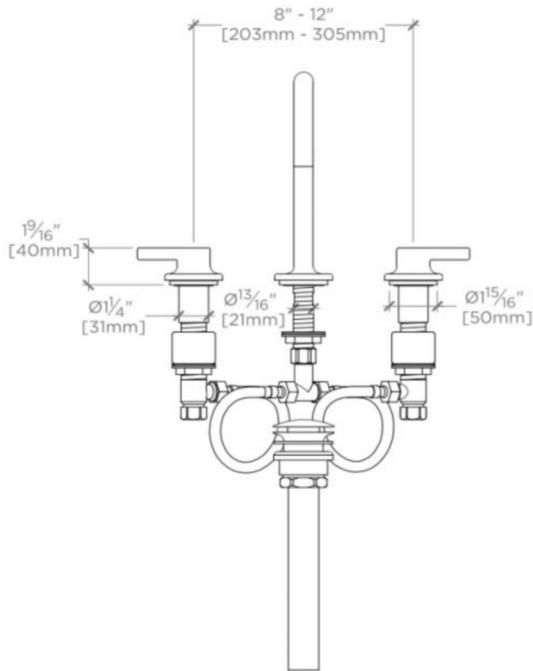
TOP VIEW

SCALE: 1/2"=1'-0"



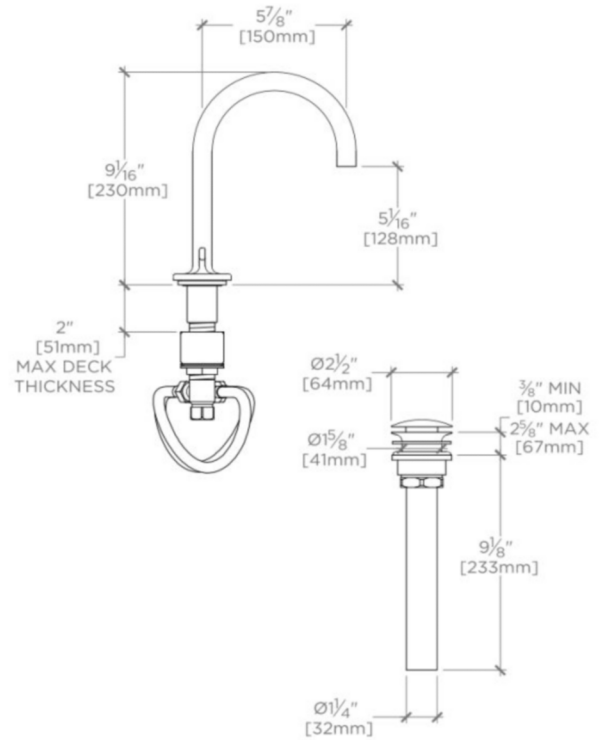
ISO VIEW

SCALE: 1/2"=1'-0"



FRONT VIEW

SCALE: 1/2"=1'-0"



SIDE VIEW

SCALE: 1/2"=1'-0"