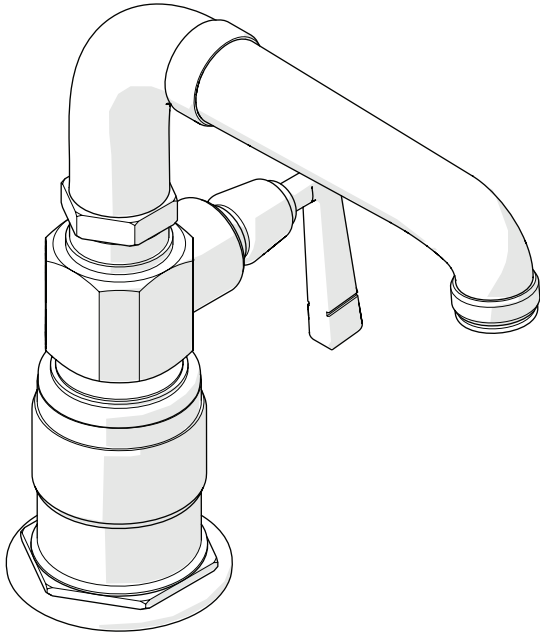


Metal Lever Handle
STYLE No. RWKM30



SPECIFICATIONS:

Deck Thickness: 2-11/16" (68mm) **Maximum**
Fittings Hole Diameter: Ø1-3/8" (35mm)
Handle Turn Angle: Half Turn
Inlet Connection Size: 3/8"
Inlet Connection Type: Compression Connection Hoses[†]
Restricted Flow Rate: 2.2gpm (8.3liters/min) **Maximum**
Spout Reach: 6-11/16" (170mm)
Spout Swivel: No
Water Pressure: 20psi **Minimum**
Water Pressure: 80psi **Maximum**
Water Pressure Recommended: 45psi

[†] UK **STYLE No. RW30KM** is supplied with 2 **BSP** adapters, assembly required.

IMPORTANT:

- To ensure this product is installed properly, you must read and follow these guidelines.
- The owner/user of this product must keep this information for future reference.
- Be sure your installation conforms to all federal, state, and local codes.
- In the State of Massachusetts, all installations must comply with the rules and regulations set forth within 248 CMR.
- Refer to the specification and assembly drawings attached. Product is **sold partially** assembled but shown fully disassembled for illustrative and service purposes only.
- Inspect this product to ensure you have all the parts required for proper installation.
- Use only a strap wrench or protected/smooth-jaw wrench on any finished surface.

- **DO NOT** use putty. Putty contains oil and can cause permanent discoloration on certain materials such as marble, granite and any porous surface.

INSTALLATION:

1. Remove the **NUT**, **METAL WASHER**, and **RUBBER WASHER** from the **THREADED ROD**. See **FIGURE - 01**. Do **NOT** remove the **O-RING** beneath the **ESCUTCHEON**.

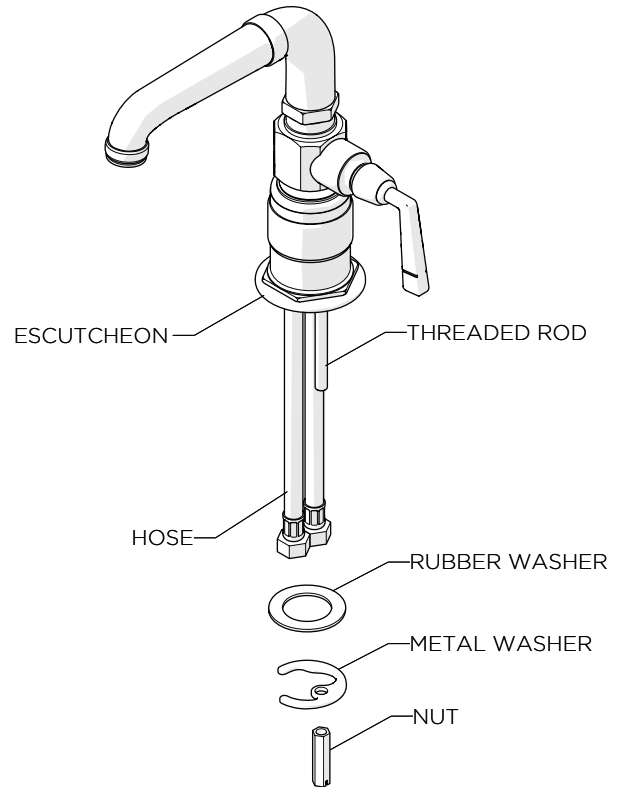


FIGURE - 01

2. Ensure that the **HOSES** and **THREADED ROD** are securely tightened to the **VALVE BODY**, then insert the **HOSES** and **THREADED ROD** through the Ø1-3/8" (35mm) hole on the mounting surface making sure the **O-RING** is beneath the **ESCUTCHEON**.
- **NOTE:** The **SPOUT** must be installed with the **HANDLE** on the right side of the **SPOUT**. The **SPOUT** cannot swivel and the **HANDLE** rotates clockwise 180° to open.
3. Re-install the **RUBBER WASHER**, **METAL WASHER** and **NUT**. Securely tighten the **NUT** to secure the **SPOUT** to mounting surface.
4. Connect the **HOSES** to the water supplies making sure they are not pinched or kinked.

FINISH AND INSPECT THE INSTALLATION:

5. Remove the **AERATOR** from the **SPOUT** using a, quarter sized, coin then open the hot and cold supplies and carefully turn the **HANDLE** to flush out any debris in the **SUPPLY LINES**.
6. Inspect all connections for **leaks**.

7. Shut the water off and re-install the AERATOR.

SERVICING THE PRODUCT:

- Refer to FIGURE - 02 for steps 8 & 9.
- 8. To remove the SPOUT, unthread the UNION NUT then pull the SPOUT up to remove.
- 9. To access the CARTRIDGE, remove the HANDLE by unthreading the GLAND COVER then unthread the RETAINING COLLAR to expose the CARTRIDGE.

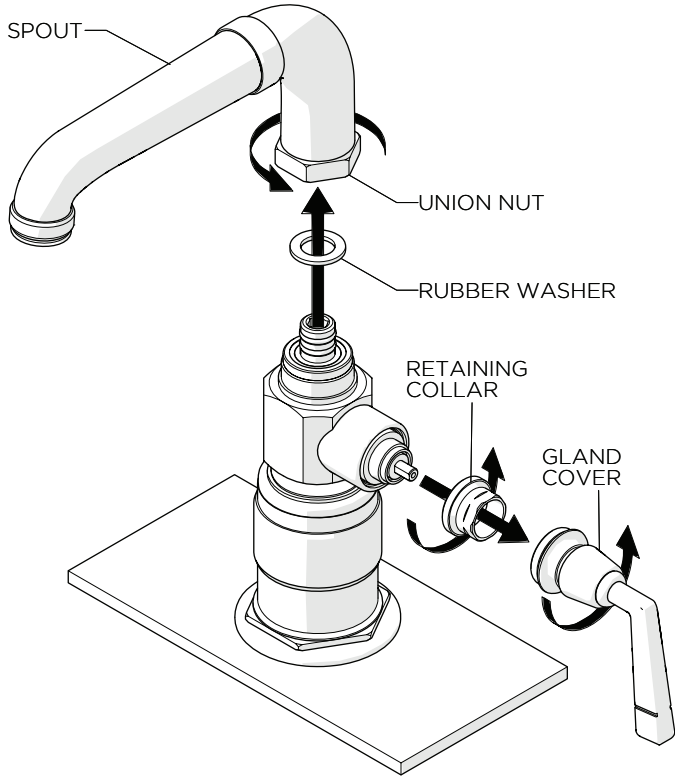


FIGURE - 02

- 10. If further assistance is required, please contact Product Support at 1-800-927-2120 Ext 2 Monday through Friday, 8am - 6pm EST.
- 11. Putty contains oil and can cause permanent discoloration on certain materials such as marble, granite and any porous surface.