

Pullman

PLVN11

Pullman Single Vanity with Tapered Legs and Hardware with SALV26 Sink and Slab 37" x 22 1/2" x 34 1/2" with 4" x 3/4" Backsplash



SHOWN IN PULLMAN SINGLE VANITY WITH TAPERED LEGS AND HARDWARE WITH SALV26 SINK AND SLAB 37" X 22 1/2" X 34 1/2" WITH 4" X 3/4" BACKSPLASH | PLVN11

TECHNICAL DETAILS

ADA Compliance: No
 Adjustable Levelers Feet: N
 Bowl Shape: Oval
 Depth To Overflow: 114 mm
 Drain Hole Depth: 44 mm
 Drain Hole Diameter: 44 mm
 Fittings Hole Depth: 32 mm
 Fittings Hole Diameter: 35 mm
 Overflow Opening: Yes
 Primary Material: Wood
 Sink Visibility: N

INSPIRATION

A custom, layered look that transcends eras. Our exclusive design references iconic campaign furniture & Regency forms, with hand-applied metalwork & integrated hardware.

CODES & STANDARDS

PRODUCT FEATURES

Designed by and exclusive to Waterworks

Vanity with Integrated Hardware; specify Brass or Nickel when ordering

Stocked in Clear Oak, Antique Walnut Finish or Factory Finished in Chalk, Driftwood, Midnight, Steel, Franklin Gray, or Whisper

Includes Saxby sink and choice of stocked stone tops in Carrara or Arabescato

Install with or without backsplash (included)

CERTIFICATIONS

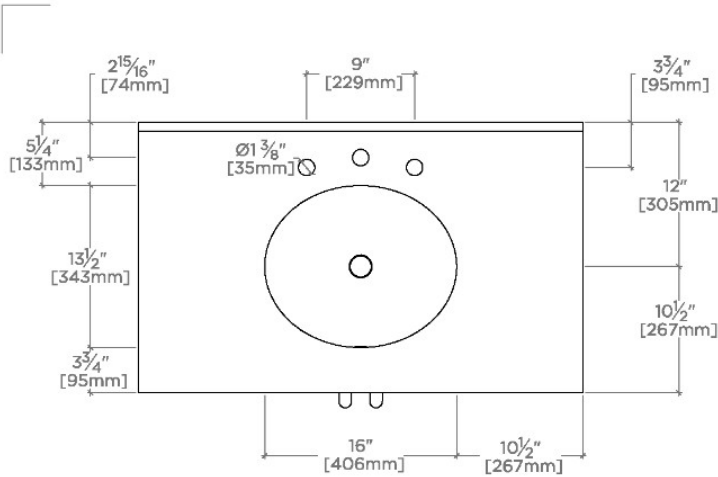
PRODUCT (NOTES)

WATERWORKS

Pullman

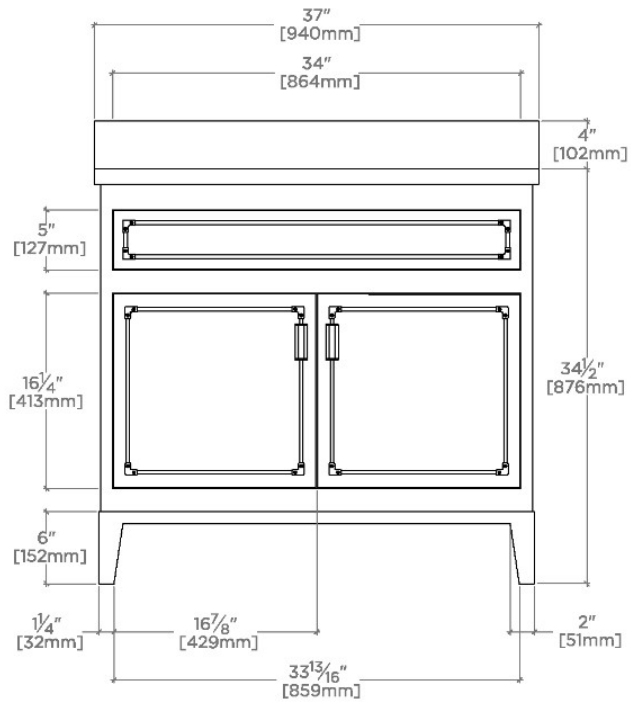
PLVN11

Pullman Single Vanity with Tapered Legs and Hardware with SALV26 Sink and Slab 37" x 22 1/2" x 34 1/2" with 4" x 3/4" Backsplash



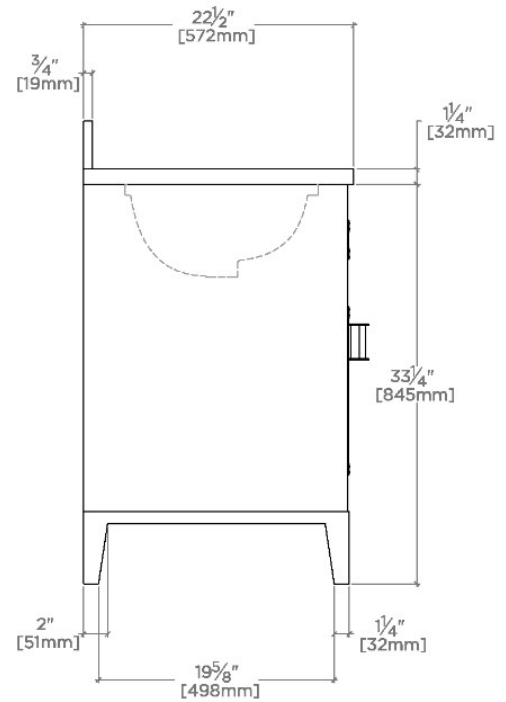
TOP VIEW

SCALE: $\frac{3}{4}$ "=1'-0"



FRONT VIEW

SCALE: $\frac{3}{4}$ "=1'-0"



SIDE VIEW

SCALE: $\frac{3}{4}$ "=1'-0"