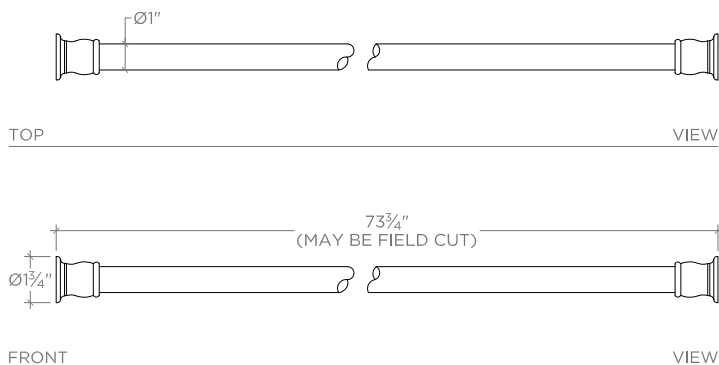


UNIVERSAL
Straight Shower Rod 72"

Installation Guidelines

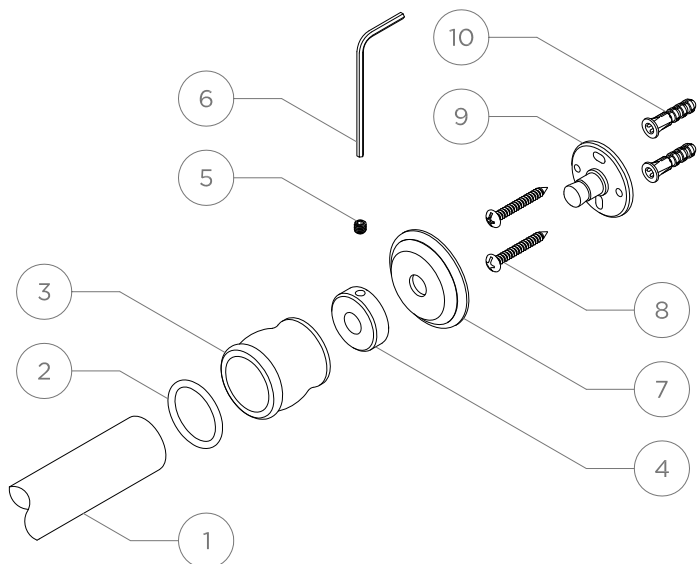
STYLE No. UNSR01
ITEM No. 22-92502-16337 (Chrome)
22-64963-14461 (Nickle)
22-28344-11866 (Unlacquered Brass)



IMPORTANT:

- To ensure this product is installed properly, you must read and follow these guidelines.
- The owner/user of this product must keep this information for future reference.
- Be sure your installation conforms to all applicable codes.
- This product must be installed by a professional contractor.
- Refer to the specification and assembly drawings attached.
- Inspect this product to assure it is the correct model and you have all parts required for proper installation.
- Take all necessary precautions to ensure the tub is protected during installation.

Figure 1



SHOWER ROD INSTALLATION:

1. Install the mounting plates (9) at the desired location using the screws (8) and anchors (10) provided. Drill $\frac{3}{16}$ " holes in drywall or $\frac{1}{4}$ " in tile.
 2. Slide the escutcheon (7) and mounting adapter (4) over each mounting plate and tighten the set screw (5).
 3. Cut the shower rod (1) length to $\frac{1}{16}$ " less than the distance between the adapters. Remove the burrs from the cut end of the rod.
 4. Slide the o-ring end of the collars (3) over the rod until the rod protrudes slightly from the other end of the collars. Note: Wet the ends of the shower rod with soap and water to allow the collars to slide over the rod more easily.
 5. Position the rod (1) and collars (3) between the adapters (4) then thread the collars down until they contact the escutcheons (7).
- If further assistance is required, please contact Product Support at 1-800-927-2120 (8am-7pm EST).

Table 1

PART NO.	DESCRIPTION	QTY.
1	Shower Rod	1
2	O-Ring	2
3	Collar	2
4	Mounting Adapter	2
5	Set Screw, 2.5mm Hex	2
6	Hex Key, 2.5mm Hex	1
7	Escutcheon	2
8	Screw, Slotted, #8, $\frac{1}{4}$ " Length	4
9	Mounting Plate	2
10	Anchor	4

These guidelines have been prepared for the professional contractor to aid in the installation of:
UNIVERSAL STRAIGHT SHOWER ROD 72" (STYLE NO. UNSR01)
All dimensions are based on origin specification and are subject to change and variation. Please consult your Design Associate for current specifications.

WATERWORKS