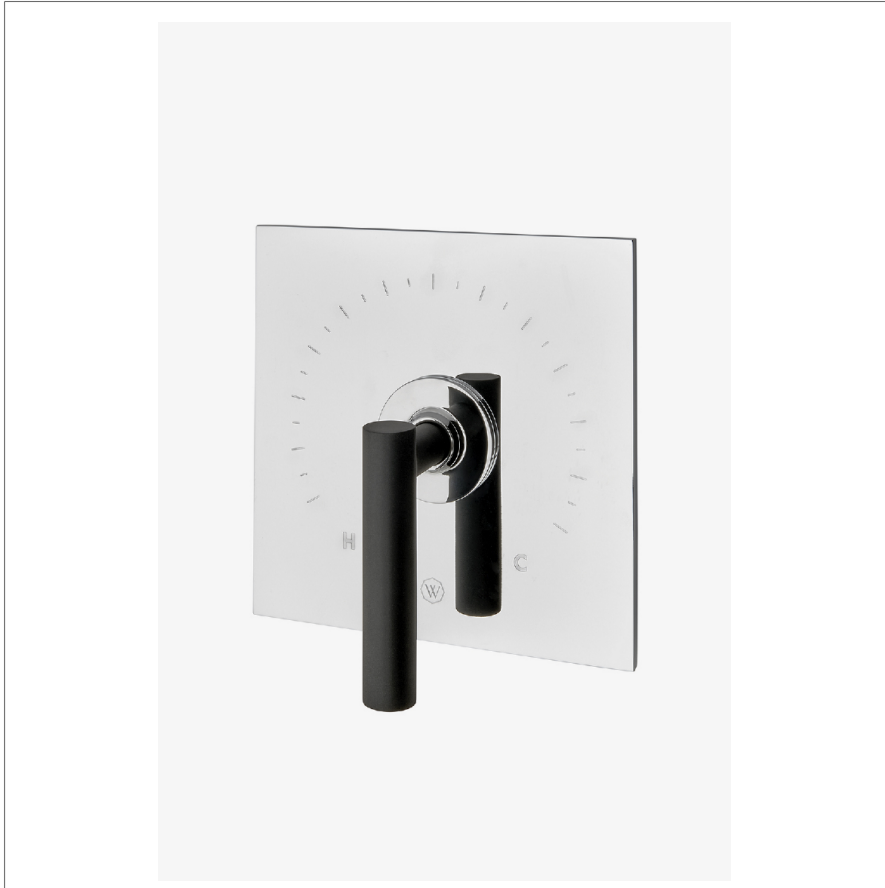


BOND

BTH12S

Bond Rally Series Square Thermostatic Control Valve Trim with Lever Handle



SHOWN IN BOND RALLY SERIES SQUARE THERMOSTATIC CONTROL VALVE TRIM WITH LEVER HANDLE | BTH12S

TECHNICAL DETAILS

ADA Compliance: Yes
Number Of Holes: One Hole
Primary Material: Brass

INSPIRATION

Modern designs infused with rare soul and artistry. Explore our wide range of Bond bath and kitchen elements, from fittings to fixtures to hardware.

CODES & STANDARDS

ASME A112.18.1/CSA B125.1, State of MA

PRODUCT FEATURES

Lever Handle

Allows bather to adjust temperature of all waterway outlets with a hot limit safety stop providing anti-scald protection

Features a Sport Black Finish, smooth and velvety to the touch

Stocked in Chrome/Sport Black

Requires valve, sold separately: GUTH60 (1/2") or GUTH38 (3/4") (USA) or GU60TH, GU38TH (UK/International)

CERTIFICATIONS

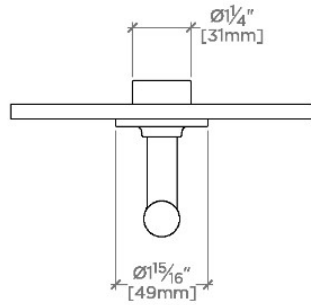


PRODUCT (NOTES)

BOND

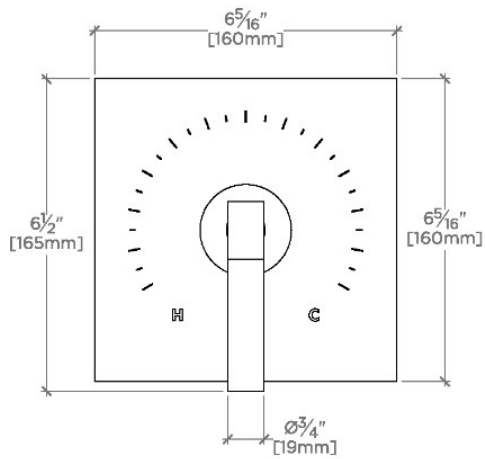
BTH12S

Bond Rally Series Square Thermostatic Control Valve Trim
with Lever Handle



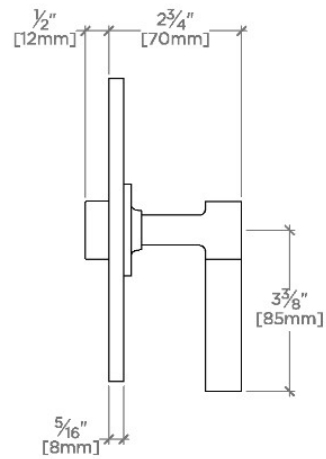
TOP VIEW

SCALE: 3"=1'-0"



FRONT VIEW

SCALE: 3"=1'-0"



SIDE VIEW

SCALE: 3"=1'-0"