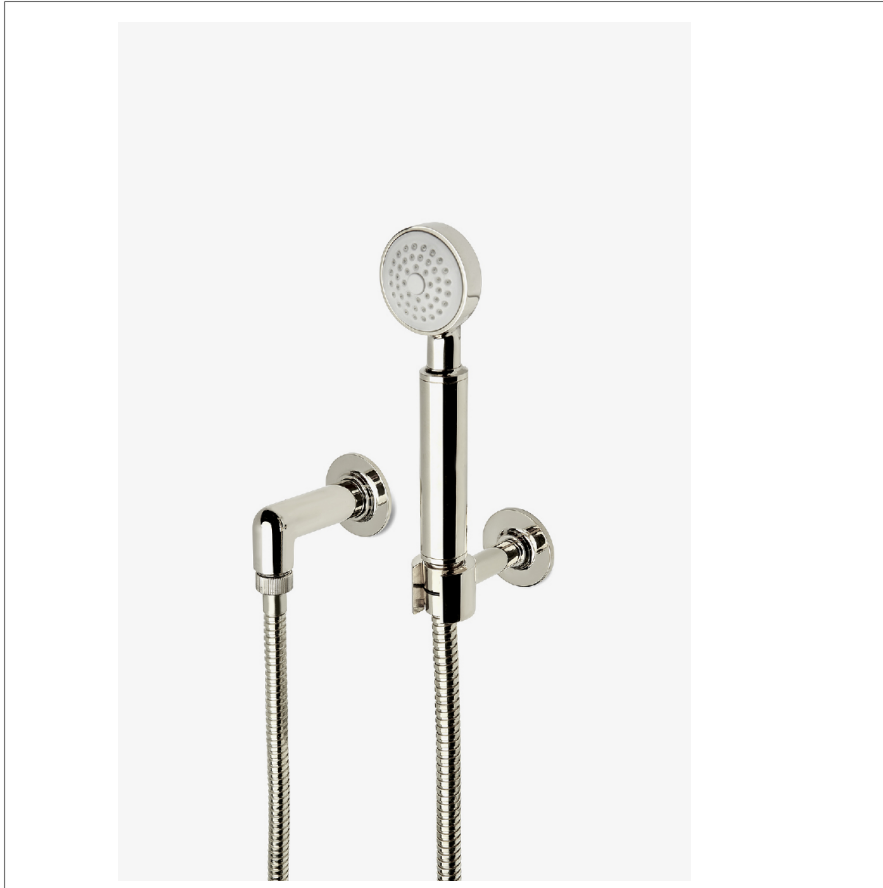


Bond

BHS001

Bond Handshower on Hook



SHOWN IN BOND HANDSHOWER ON HOOK | BHS001

TECHNICAL DETAILS

Adjustable Versus Fixed Spray: Fixed Spray
 Fittings Hole Diameter: 25 mm
 Handshower Spray Hose Length: 1.5 m
 Inlet Connection Size: 1/2"
 Inlet Connection Type: FEMALE NPT
 Integrated Diverter: N
 Pivot: N
 Primary Material: Brass
 Restricted Maximum Flow Rate: 6.6 liters/min
 Water Pressure Maximum: 6.0 bar
 Water Pressure Minimum: 1.5 bar
 Water Pressure Recommended: 3.0 bar

INSPIRATION

Modern designs infused with rare soul and artistry. Explore our wide range of Bond bath and kitchen elements, from fittings to fixtures to hardware.

CODES & STANDARDS

ASME A112.18.1/CSA B125.1, Waterworks Handshowers use check valves compliant to ASME A112.18.3 for backflow protection.CEC, State of MA

PRODUCT FEATURES

2 -1/8" head with rubber nozzles

Stocked in Chrome, Nickel, Brass and Dark Nickel

Available in 1.75gpm (6.6L/min) flow rate

CERTIFICATIONS

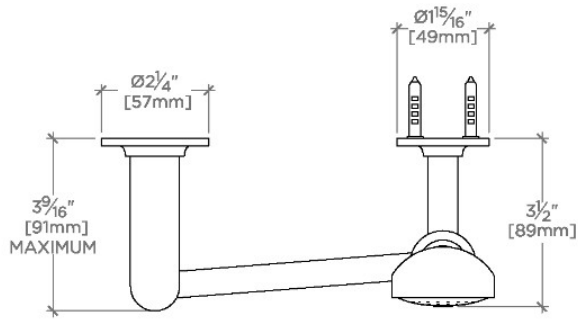


PRODUCT (NOTES)

Bond

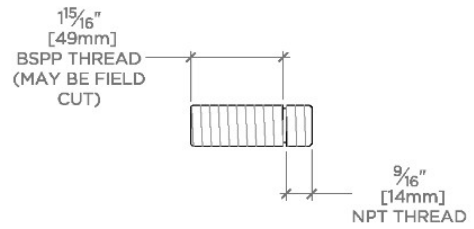
BHS001

Bond Handshower on Hook

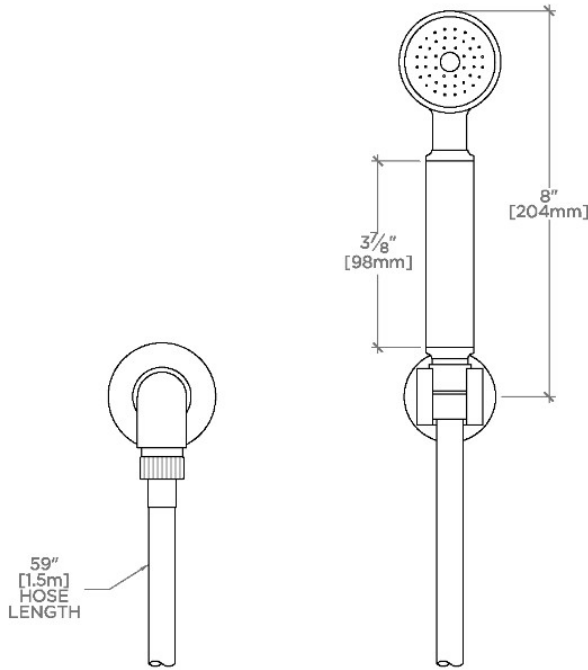


TOP VIEW

SCALE: 3"=1'-0"

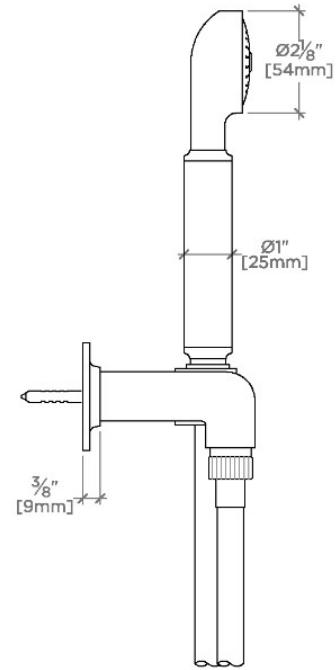


ADAPTER INCLUDED - INTERNATIONAL USE ONLY



FRONT VIEW

SCALE: 3"=1'-0"



SIDE VIEW

SCALE: 3"=1'-0"