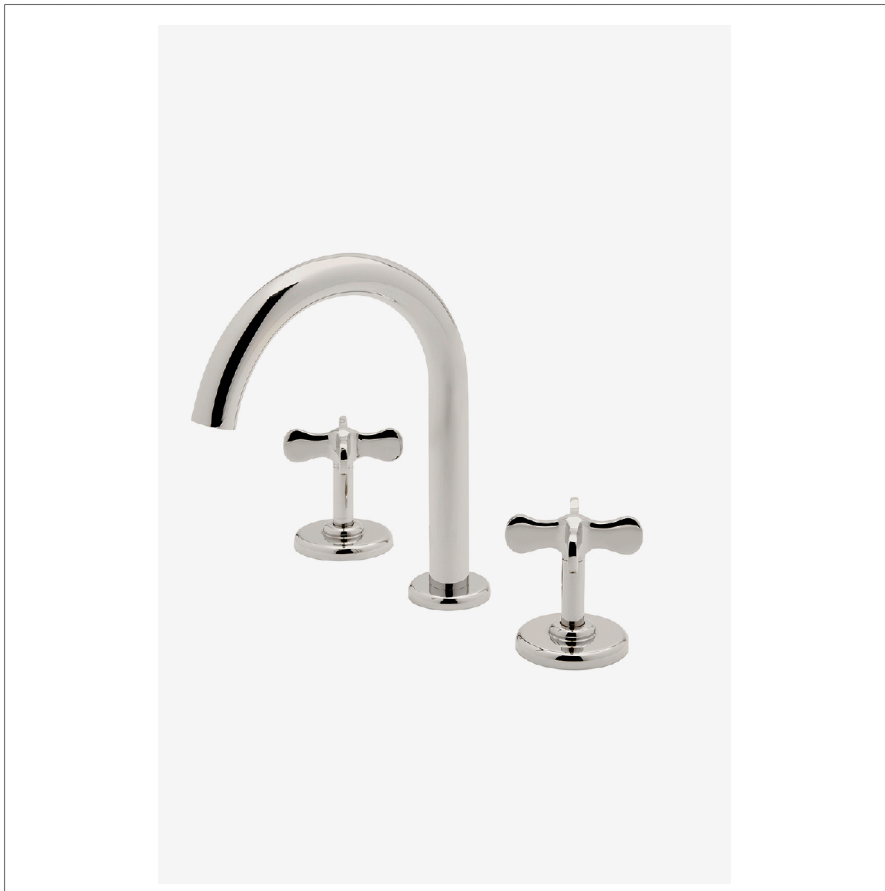


LUDLOW

LDLS25

Ludlow Volta Gooseneck Lavatory Faucet with Cross Handles



SHOWN IN LUDLOW VOLTA GOOSENECK LAVATORY FAUCET WITH CROSS HANDLES | LDLS25

TECHNICAL DETAILS

ADA Compliance: Yes
 Deck Thickness Maximum: 2 1/8"
 Drain Depth Maximum: 2"
 Drain Depth Minimum: 0.38"
 Drain Hole Diameter: 1 1/2"
 Drain Style: USA Push Touch
 Fittings Hole Diameter: 1 3/8"
 Flow Restriction Options: 1.2
 Handle Spread Maximum: 12"
 Handle Spread Minimum: 8"
 Handle Turn Angle: Quarter Turn
 Inlet Connection Size: 1/2"
 Inlet Connection Type: Male with Supply Nut
 Inlet Supply Spread Maximum: 12"
 Inlet Supply Spread Minimum: 8"
 Number Of Holes: Three Hole
 Primary Material: Brass
 Restricted Maximum Flow Rate: 1.2 gpm
 Water Pressure Maximum: 85.0 psi
 Water Pressure Minimum: 20.0 psi
 Water Pressure Recommended: 45.0 psi

INSPIRATION

Our fresh take on American industrial design comes in three styles, each of them clean-lined, and distinct to Waterworks.

CODES & STANDARDS

LDLS25X, NSF/ANSI/CAN 61:Q < 1, NSF/ANSI/CAN 372, ASME A112.18.1/CSA B125.1, CEC, DOE, State of MA

PRODUCT FEATURES

Cross Handles

Includes a Universal Push Touch Drain sized to fit US and Euro sink drain openings.

Stocked in a Chrome, Nickel and Brass

Available in 1.2gpm (4.5L/min) flow rate

CERTIFICATIONS



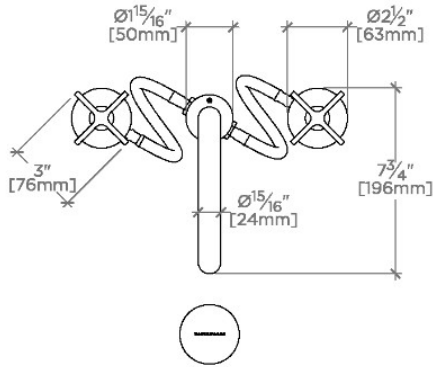
PRODUCT (NOTES)

WATERWORKS

LUDLOW

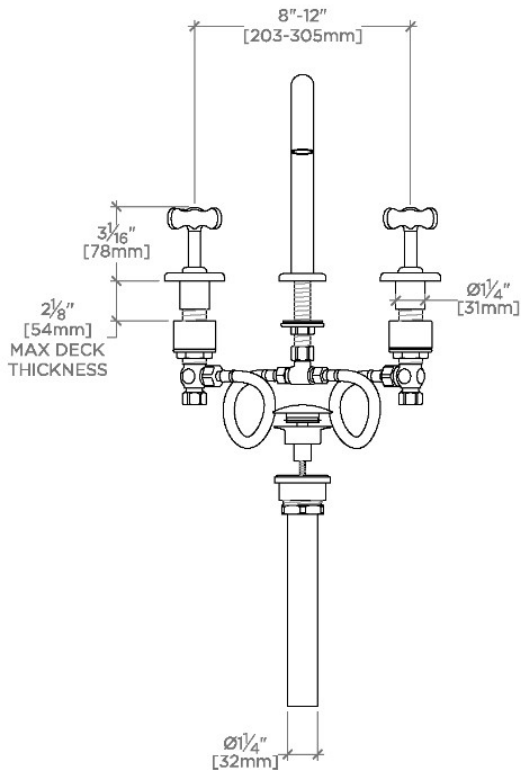
LDLS25

Ludlow Volta Gooseneck Lavatory Faucet with Cross Handles



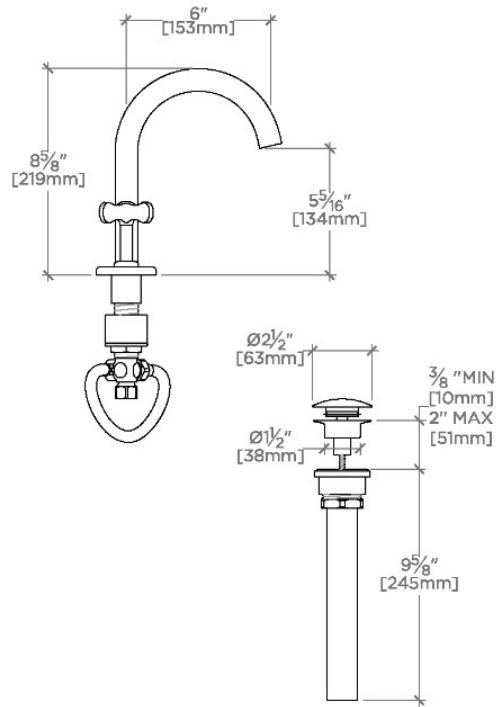
TOP VIEW

SCALE: 1 1/2"=1'-0"



FRONT VIEW

SCALE: 1 1/2"=1'-0"



SIDE VIEW

SCALE: 1 1/2"=1'-0"