

R.W. Atlas

RWMR02

R.W. Atlas Metal Rectangular Wall Mounted Stationary Mirror-
Horizontal 20" x 32" x 1 3/8"



SHOWN IN R.W. ATLAS METAL RECTANGULAR WALL MOUNTED STATIONARY MIRROR-HORIZONTAL 20" X 32" X 1 3/8" | RWMR02

TECHNICAL DETAILS

ADA Compliance: When installed per ADA guidelines
Adjustable Levelers Feet: N
Depth/Width: 35 mm
Height: 813 mm
Installation Type: Wall Mounted
Length: 508 mm
Primary Material: Metal

INSPIRATION

Powerful shapes, exquisite materials, and unique aesthetic details define R.W. Atlas. This groundbreaking collection pairs American ingenuity with European craftsmanship, delivering refined industrial-inspired character that fits seamlessly into any space.

CODES & STANDARDS

PRODUCT FEATURES

This industrial inspired mirror has exposed "L" brackets affixed with slotted head screws, beveled mirror glass and chamfered edges.

CERTIFICATIONS

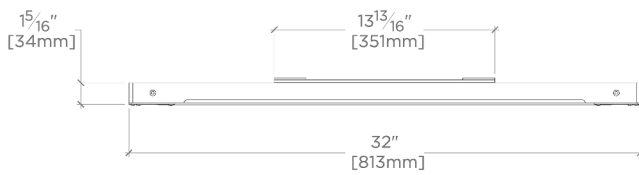
PRODUCT (NOTES)

WATERWORKS

R.W. Atlas

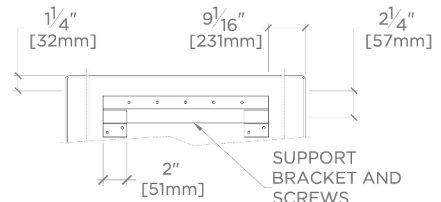
RWMR02

R.W. Atlas Metal Rectangular Wall Mounted Stationary Mirror -
Horizontal 20" x 32" x 1 3/8"



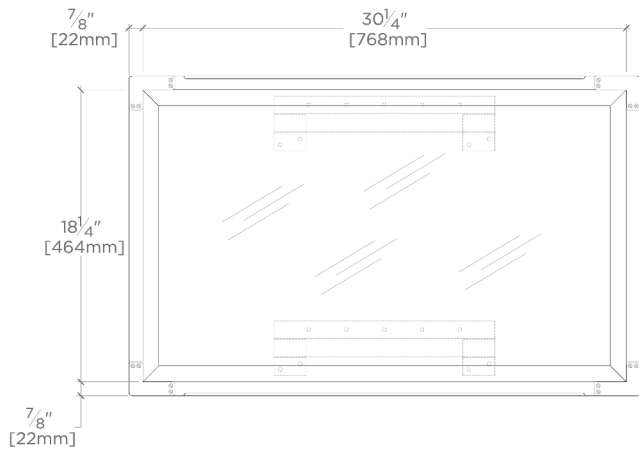
TOP VIEW

SCALE: 1"=1'-0"



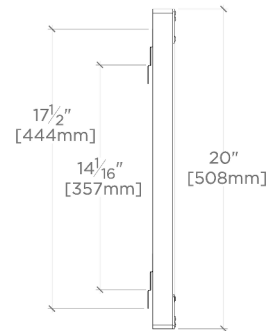
SUPPORT
BRACKET AND
SCREWS
PROVIDED

BACK VIEW - NOT TO SCALE



FRONT VIEW

SCALE: 1"=1'-0"



SIDE VIEW

SCALE: 1"=1'-0"