

HIGHGATE

HGTH10

Highgate Thermostatic Control Valve Trim with Porcelain Lever Handle



SHOWN IN HIGHGATE THERMOSTATIC CONTROL VALVE TRIM WITH PORCELAIN LEVER HANDLE | HGTH10

TECHNICAL DETAILS

ADA Compliance: Yes
 Depth/Width: 3 13/16"
 Escutcheon Primary Material: Brass
 Fittings Hole Diameter: 4 1/2"
 Height: 6 1/2"
 Index Color Finish And Material: White Porcelain
 Index Marking: Waterworks Studio
 Integrated Diverter: N
 Integrated Spray: N
 Length: 6 1/2"
 Number Of Handles: One
 Pivot: N
 Primary Material: Brass
 Spout Swivel: N
 Spray Included In Unit: N
 Suggested Application: Bath

INSPIRATION

Our take on old English style: simple, functional shapes, detailed with white porcelain indices and hexagonal accents for a timeless feel.

CODES & STANDARDS

ASME A112.18.1/CSA B125.1, State of MA

PRODUCT FEATURES

Lever Handle

Allows bather to adjust temperature of all waterway outlets with a hot limit safety stop providing anti-scald protection

Features white porcelain

Stocked in Chrome, Nickel and Brass

Requires rough valve, sold separately: GUTH60 (1/2") or GUTH38 (3/4")

CERTIFICATIONS



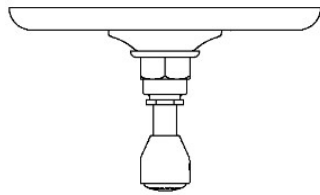
PRODUCT (NOTES)

Requires 1/2" valve rough GUTH56 (USA) or GU56TH (UK) sold separately

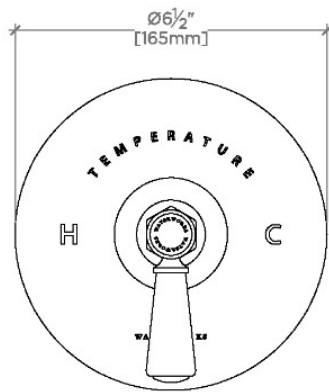
HIGHGATE

HGTH10

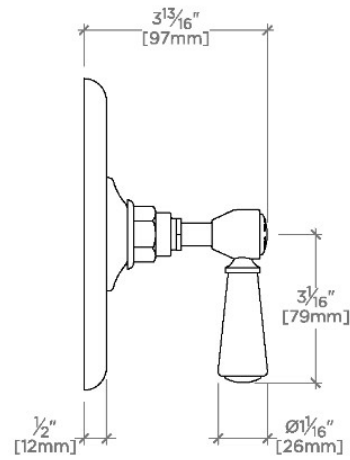
Highgate Thermostatic Control Valve Trim with Porcelain
Lever Handle



TOP VIEW SCALE: 3"=1'-0"



FRONT VIEW SCALE: 3"=1'-0"



SIDE VIEW SCALE: 3"=1'-0"