

## Julia

JUS120

Julia 12" Rain Showerhead with 6" Ceiling Mounted Shower Arm



SHOWN IN JULIA 12" RAIN SHOWERHEAD WITH 6" CEILING MOUNTED SHOWER ARM | JUS120

### TECHNICAL DETAILS

Adjustable Versus Fixed Spray: Fixed  
 Fittings Hole Diameter: 32 mm  
 Flow Restriction Options: 1.5, 1.75, 2.0  
 Inlet Connection Size: 1/2"  
 Inlet Connection Type: Male NPT  
 Pivot: Y  
 Primary Material: Brass  
 Restricted Maximum Flow Rate: 6.6 liters/min  
 Water Pressure Maximum: 6.0 bar  
 Water Pressure Minimum: 1.5 bar  
 Water Pressure Recommended: 3.0 bar

### INSPIRATION

An interpretation of 1920s French country, Julia speaks to decoration and intricate design displayed through beautifully composed turnings. These details embody the robust, signature high profile spout enabling Julia to transition fluidly from informal to formal environments.

### CODES & STANDARDS

JUS120X, ASME A112.18.1/CSA B125.1, CEC(1.5GPM & 1.75GPM Only), WaterSense(1.5GPM, 1.75GPM & 2.0GPM Only), DOE, State of MA

### PRODUCT FEATURES

- Made of Brass
- Features a swivel 12" rain showerhead with easy clean rubber nozzles
- Includes a 6" ceiling mounted shower arm
- Stocked in Brass, Chrome, Nickel and Matte Nickel
- Rain showerhead available in 1.75gpm (6.6L/min) flow rate

### CERTIFICATIONS



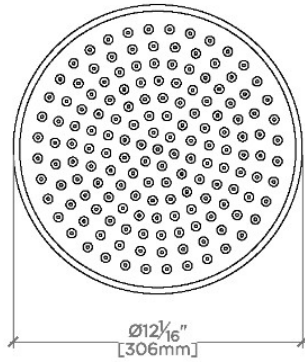
### PRODUCT (NOTES)

# WATERWORKS

## Julia

## JUS120

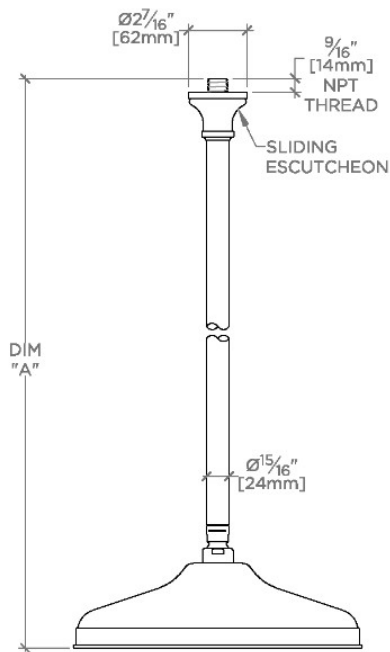
Julia 12" Rain Showerhead with 6" Ceiling Mounted Shower Arm



CEILING VIEW

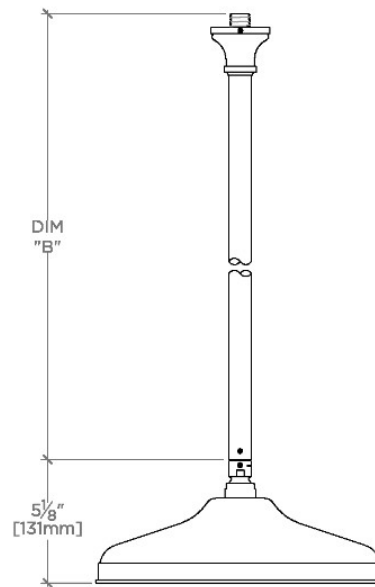
SCALE: 1/2"=1'-0"

STYLE NO.	DIM "A"	DIM "B"
ETS120	11 <sup>3</sup> / <sub>4</sub> " [298mm]	6 <sup>9</sup> / <sub>16</sub> " [167mm]
FRS120		
JUS120		
ETS121	17 <sup>3</sup> / <sub>4</sub> " [450mm]	12 <sup>9</sup> / <sub>16</sub> " [319mm]
FRS121		
JUS121		
ETS122	23 <sup>3</sup> / <sub>4</sub> " [603mm]	18 <sup>9</sup> / <sub>16</sub> " [472mm]
FRS122		
JUS122		



FRONT VIEW

SCALE: 1/2"=1'-0"



SIDE VIEW

SCALE: 1/2"=1'-0"