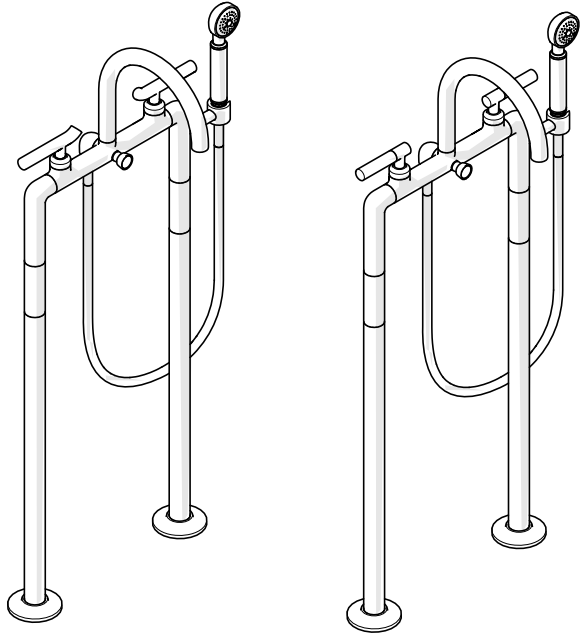


# INSTALLATION GUIDELINES

## FLOOR MOUNTED EXPOSED TUB FILLER WITH HANDSHOWER

### BOND FLOOR MOUNTED EXPOSED TUB FILLER WITH HANDSHOWER AND LEVER HANDLES



STYLES		
BXT360 [SHOWN]	BXT37A	BXT37B [SHOWN]
BXT37C	BXT37D	BXT37E
BXT37S	BXT390	

#### IMPORTANT:

- To ensure this product is installed properly, you must read and follow these guidelines.
- The owner/user of this product must keep this information for future reference.
- This product must be installed by a professional licensed contractor and must be on-site prior to rough-in. This allows the installer to visualize the installation and verify the 12-1/2" [318mm] on-center inlet supply spread. The inlet supply spread on this product is **NOT** adjustable.
- Run 3/4" supply lines for **MAXIMUM** flow and install **ACCESSIBLE** hot and cold service stop valves to facilitate servicing.

- Be sure your installation conforms to all federal, state, and local codes.
  - Anti-scaled protection is the responsibility of the installer and according to applicable codes.
  - A water temperature limiting device is the responsibility of the installer and must be in accordance with ASSE 1070.
  - In the State of Massachusetts, all installations must comply with the rules and regulations set forth within 248 CMR.
- Check TUB measurements to ensure the SPOUT project far enough into the TUB.
- Inspect this product to ensure you have all the parts required for proper installation.
- Product is sold partially assembled but shown fully disassembled for illustrative and service purposes only.
- Use only a strap wrench or protected/smooth-jaw wrench on any finished surface.
- The use of certain plumber's putty may stain stone or tile surfaces.
- If further assistance is required, please contact Product Support at 1-800-927-2120 Monday through Friday, 8am - 6pm EST.
- Refer to the separate Service Parts Documents for available replacement parts.

#### TECHNICAL DETAILS:

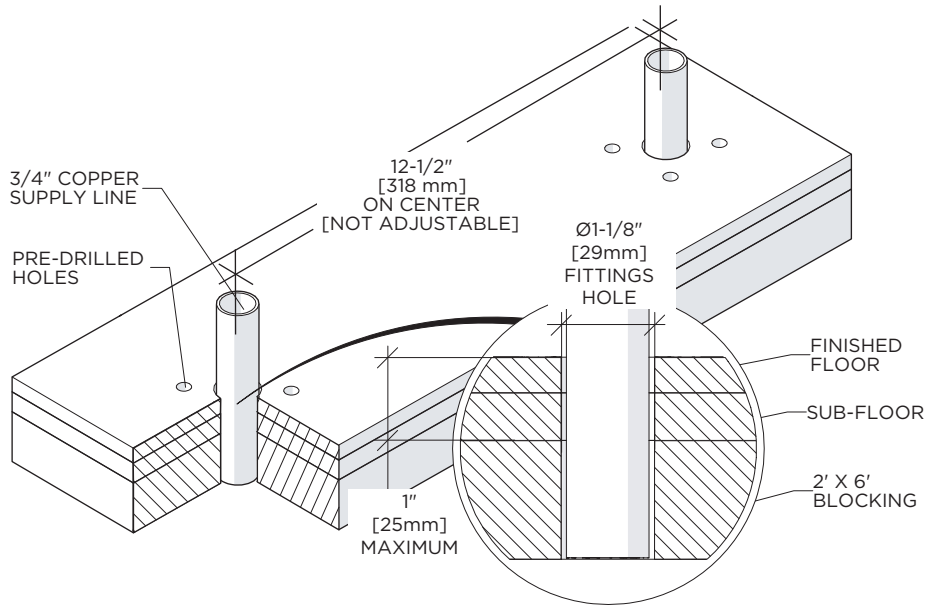
DETAIL	SPECIFICATION
DIAMETER OF HANDSHOWER HEAD	2-1/8" [54mm]
FITTINGS HOLE DIAMETER	1-1/8" [29mm]
HANDLE TURN ANGLE	QUARTER TURN
HOSE LENGTH	59" [1.5m]
INLET CONNECTION	3/4" COPPER SWEAT
INLET SUPPLY SPREAD	12-1/2" [318mm] <b>[NOT ADJUSTABLE]</b>
INTEGRATED DIVERTER	YES
SPOUT REACH	7-7/8" [200mm]
WATER PRESSURE MAXIMUM	85psi [6.0 bar]
WATER PRESSURE MINIMUM	20psi [1.5 bar]
WATER PRESSURE RECOMMENDED	45psi [3.0 bar]

# INSTALLATION GUIDELINES

## FLOOR MOUNTED EXPOSED TUB FILLER WITH HANDSHOWER

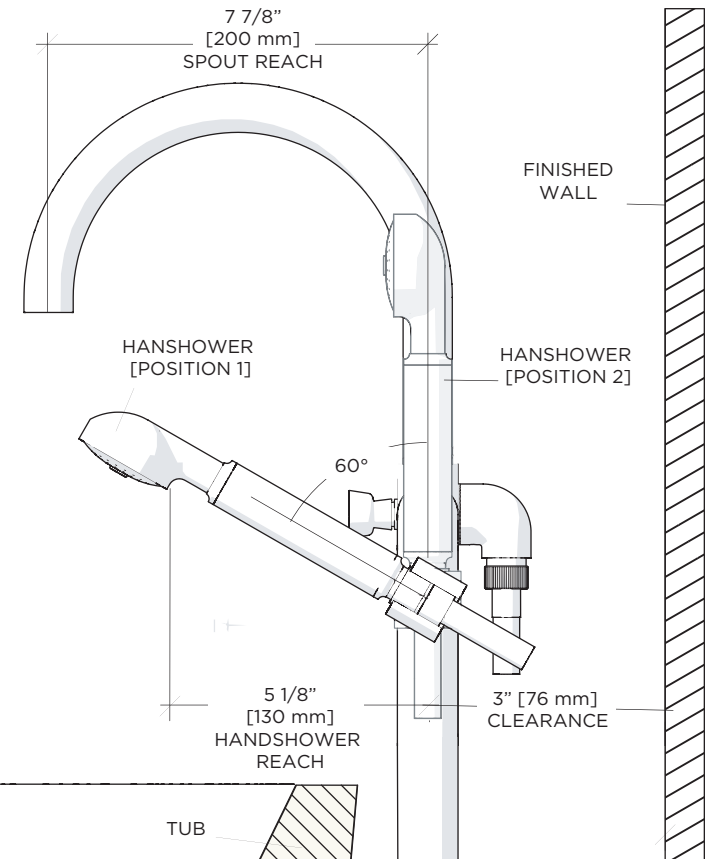
### ROUGH-IN:

- Run well supported 3/4" hot and cold copper supply lines for **maximum** water flow. The 3/4" supply lines must be securely anchored/strapped below the sub-floor for proper support.
- Wood blocking should be no further than 1" from the finished floor for the MOUNTING SCREWS to create adequate support for the TUB FILLER.
- The inlet supply spread is 12-1/2" [318mm] on-center and is **NOT** adjustable.



### RECOMMENDED INSTALLATION:

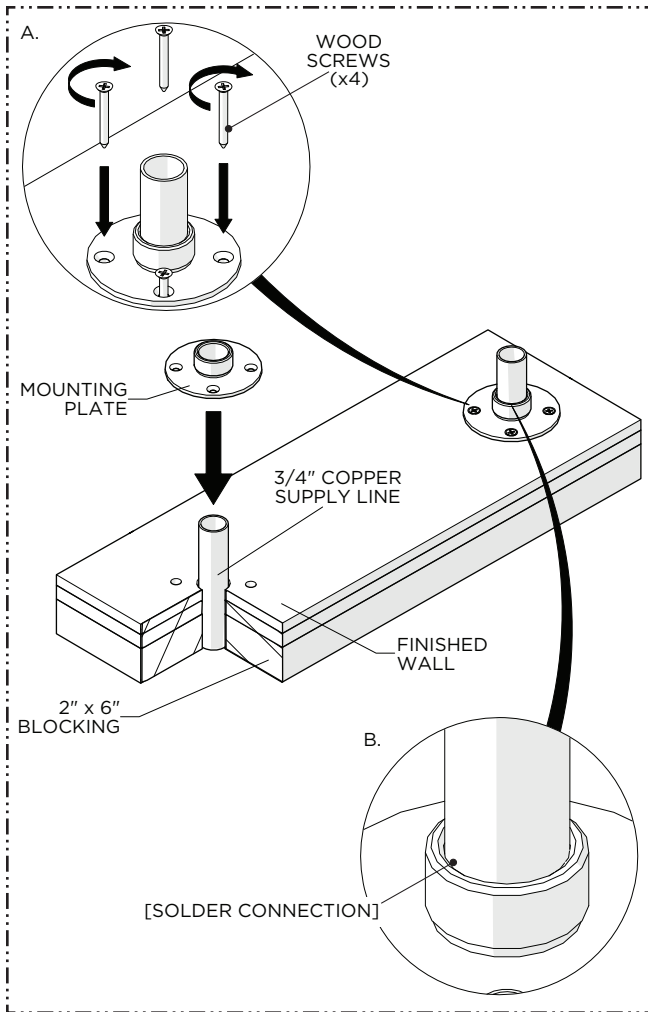
- This product has an adjustable HANDSHOWER HOOK which can be installed in 2 positions.
  - POSITION 1 which holds the HANDSHOWER at a 60° angle.
  - POSITION 2 which holds the HANDSHOWER in the completely vertical position.
- The HANDSHOWER HOOK is NOT pre-installed and is packaged separately to allow the installer to select the desired position.
- Consider the user's aesthetic preference and installation conditions when installing the HANDSHOWER HOOK. It is **HIGHLY RECOMMENDED** that the HANDSHOWER is set to POSITION 1 and the TUB's inner edge is within the HANDSHOWER REACH in order to minimize the dripping associated with common use.



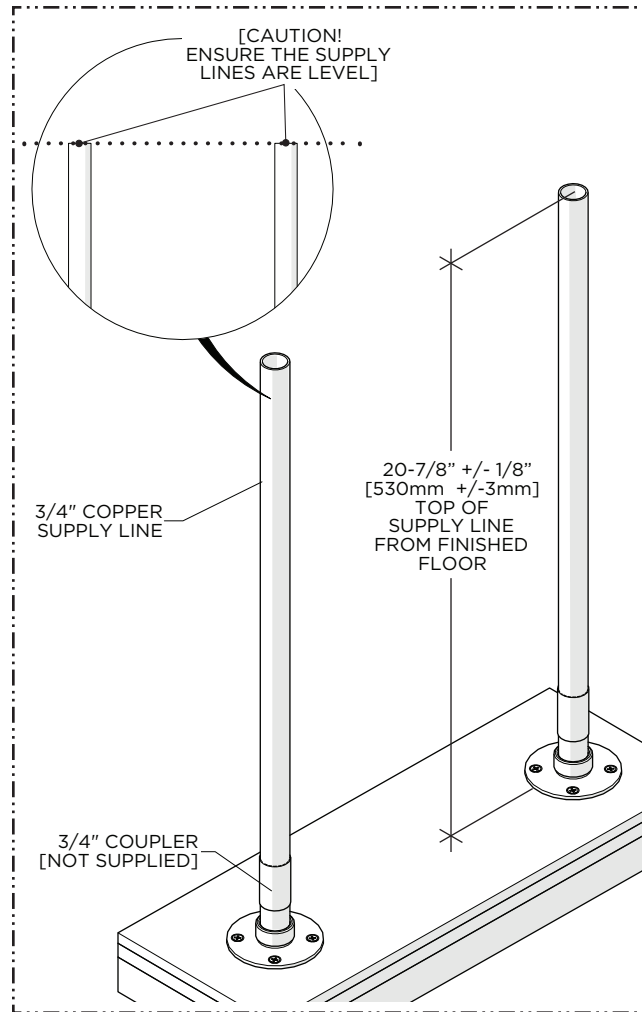
# INSTALLATION GUIDELINES

## FLOOR MOUNTED EXPOSED TUB FILLER WITH HANDSHOWER

WATERWORKS

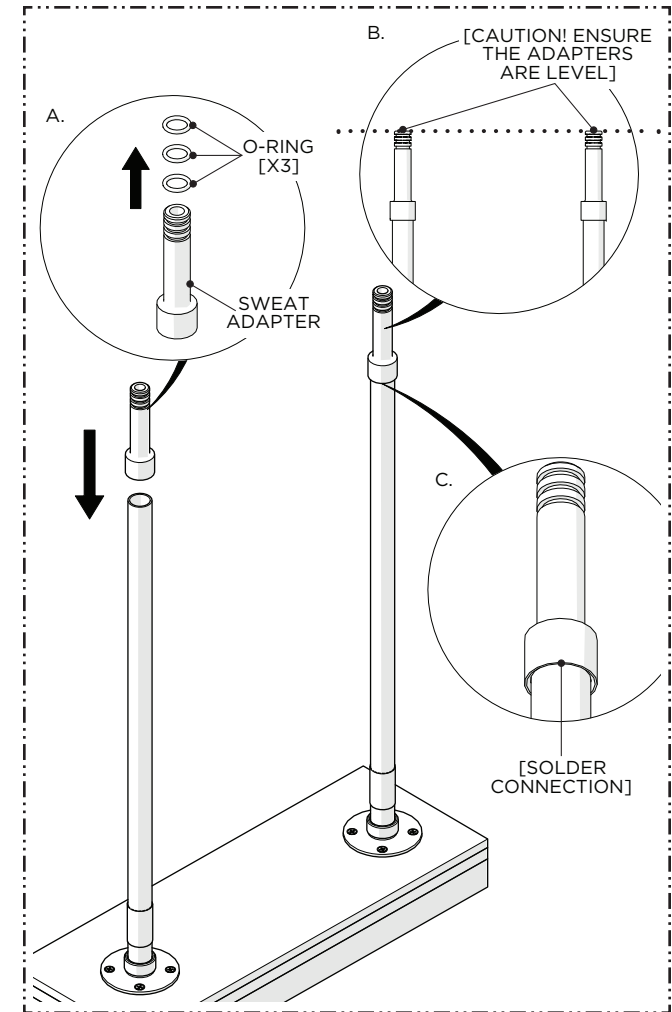


1. Slide the MOUNTING PLATES over the SUPPLY LINES in the desired orientation then:
  - a. Secure each ESCUTCHEON using the SCREWS provided and
  - b. Solder the SUPPLY LINES to the inner diameter of the MOUNTING PLATES to ensure stability.



2. Using 3/4" COUPLERS (not supplied), extend the supply lines to 20-7/8" +/- 1/8" [530mm +/- 3mm] above the finished floor.

**NOTE:** Ensure the SUPPLY LINES are level and free of any burrs.



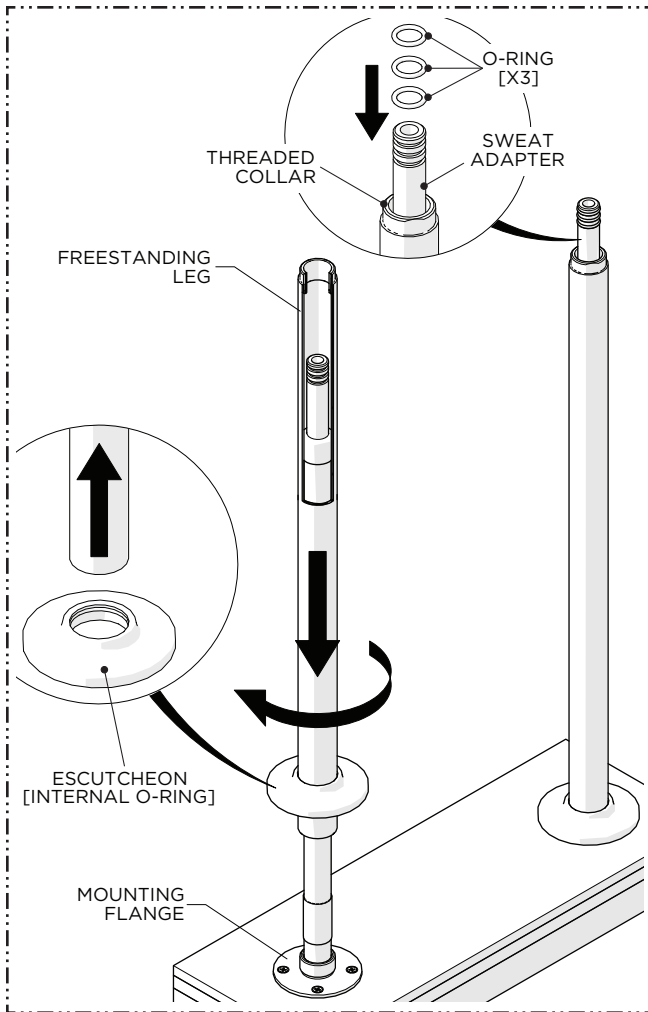
**CAUTION:** Remove the O-RINGS from the SWEAT ADAPTERS prior to soldering to prevent damaging them.

3. Place the SWEAT ADAPTERS onto the SUPPLY LINES and ensure they are fully seated and level then solder the inner diameter of each ADAPTER to the SUPPLY LINE.

# INSTALLATION GUIDELINES

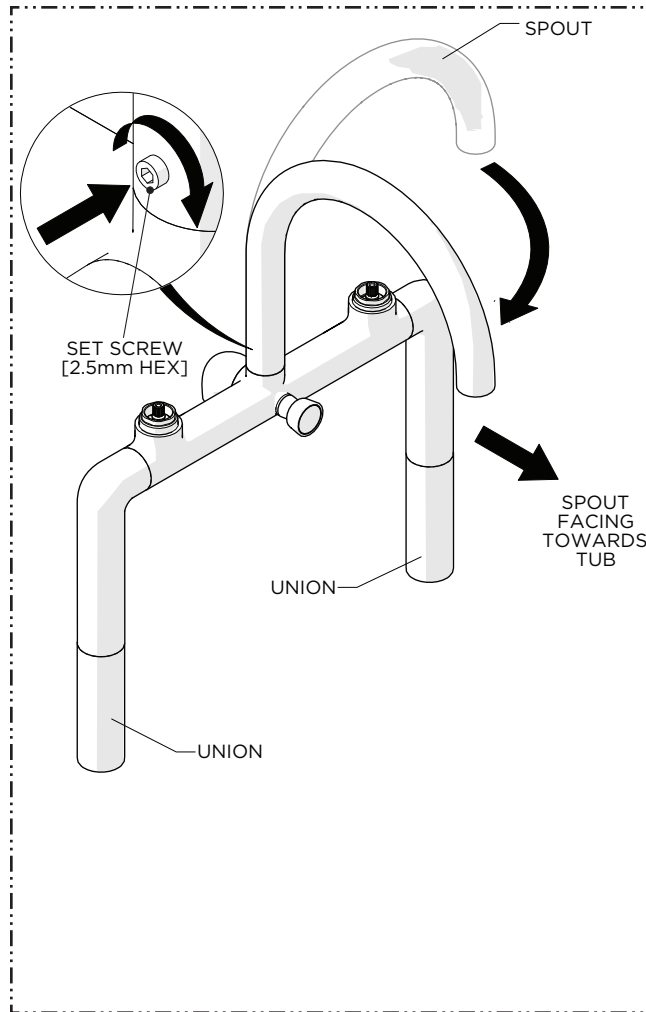
## FLOOR MOUNTED EXPOSED TUB FILLER WITH HANDSHOWER

WATERWORKS

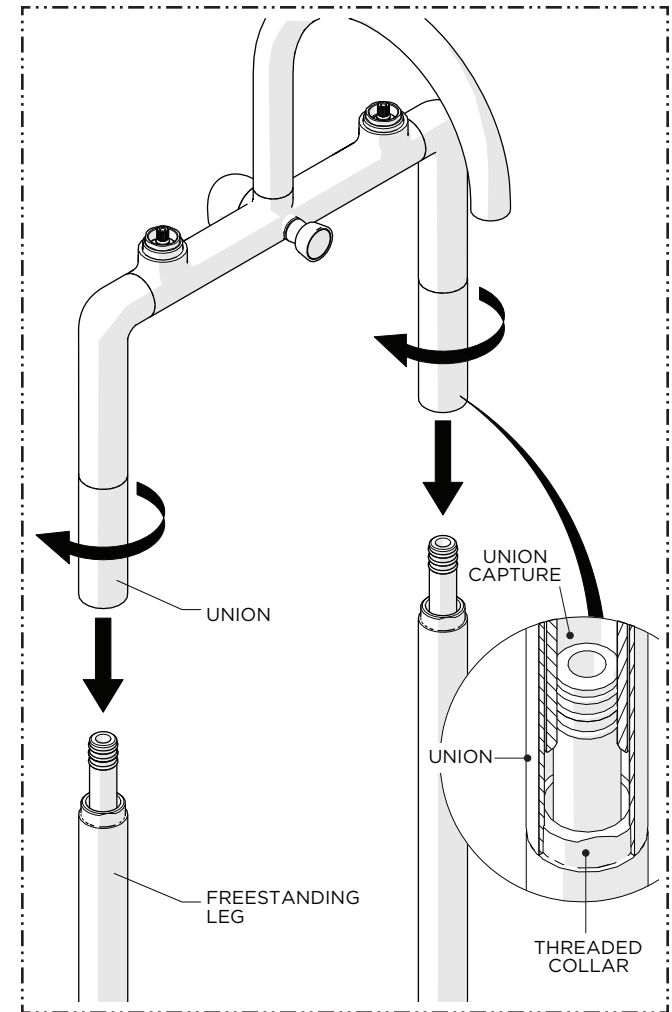


4. Slide the ESCUTCHEONS onto the FREESTANDING LEGS then slide the LEGS over the SUPPLY LINES and thread them onto the MOUNTING PLATES. Re-attach the O-RINGS onto the SWEAT ADAPTERS.

**NOTE:** Ensure the O-RINGS are not damaged and properly greased.



5. Align the SPOUT properly and securely tighten the SET SCREW at the base of the SPOUT.



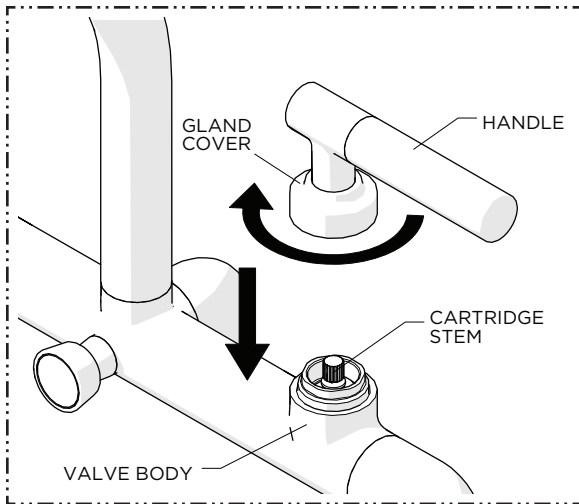
6. Slide the UNIONS onto the ADAPTERS and thread them onto the LEGS.

**NOTE:** Make sure to evenly thread and securely tighten the UNIONS onto the LEGS.

# INSTALLATION GUIDELINES

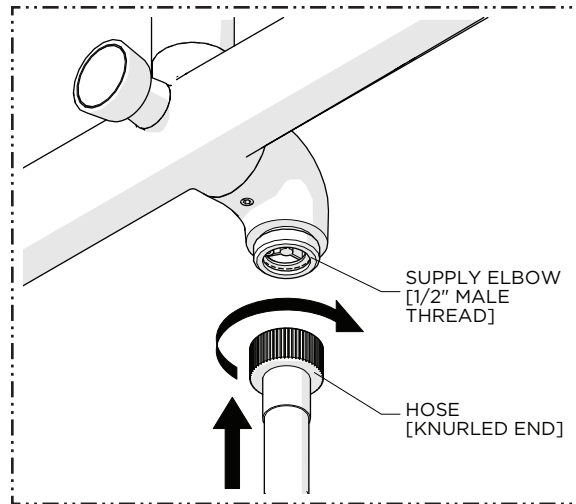
## FLOOR MOUNTED EXPOSED TUB FILLER WITH HANDSHOWER

# WATERWORKS



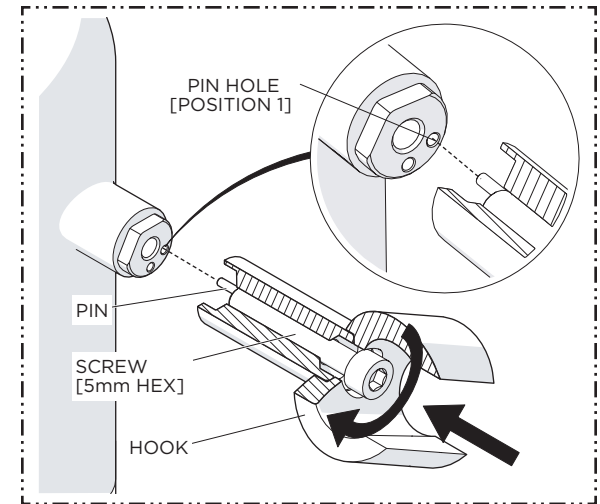
7. With the HANDLE in the desired position, place it over the CARTRIDGE STEM then thread the GLAND COVER onto the VALVE BODY.

▶ REPEAT THIS STEP TO INSTALL THE 2ND HANDLE.



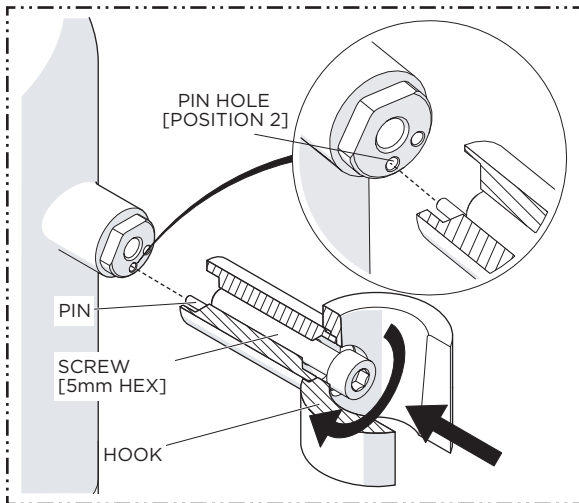
8. Thread the KNURLED END of the HOSE to the SUPPLY ELBOW on the VALVE BODY.

**NOTE:** A CHECK VALVE is located inside the outlet of the ELBOW.



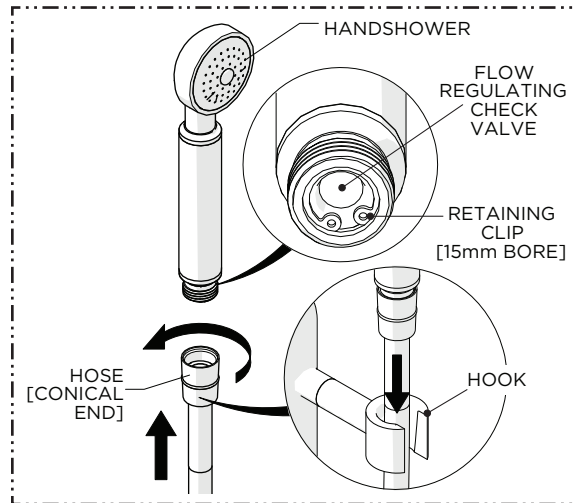
**HOOK POSITION 1 [RECOMMENDED]**

9. Place the HOOK on post making sure to properly align the PIN with the PIN HOLE [POSITION 1] and use the SCREW provided to fasten the HOOK in place.



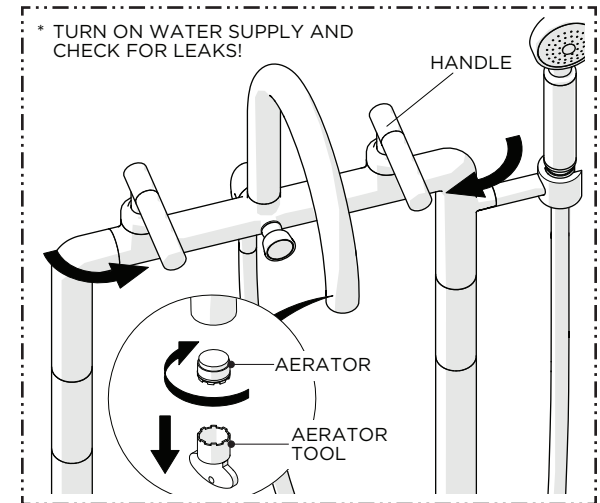
**HOOK POSITION 2**

10. Place the HOOK on post making sure to properly align the PIN with the PIN HOLE [POSITION 2] and use the SCREW provided to fasten the HOOK in place.



11. Thread the conical end of the HOSE to the HANDSHOWER then rest the HANDSHOWER on the HOOK.

**NOTE:** A FLOW REGULATING CHECK VALVE is located inside the inlet of the HANDSHOWER.



\* TURN ON WATER SUPPLY AND CHECK FOR LEAKS!

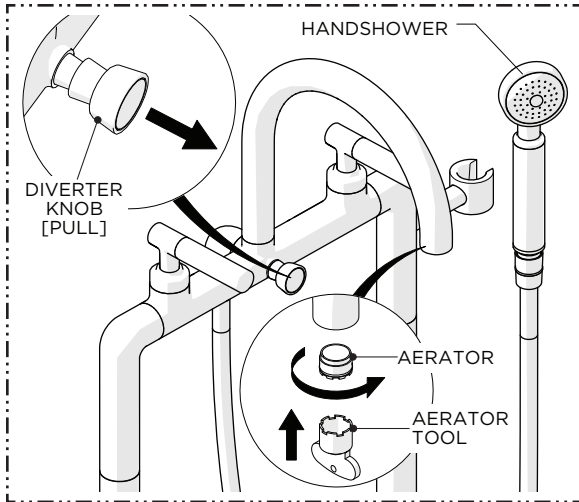
12. Remove the AERATOR using the TOOL provided then turn on the water supply and operate the HANDLES to flush out the supply lines and check all connections for leaks.

**NOTE:** Ensure the supply lines have been flushed before operating the DIVERTER KNOB.

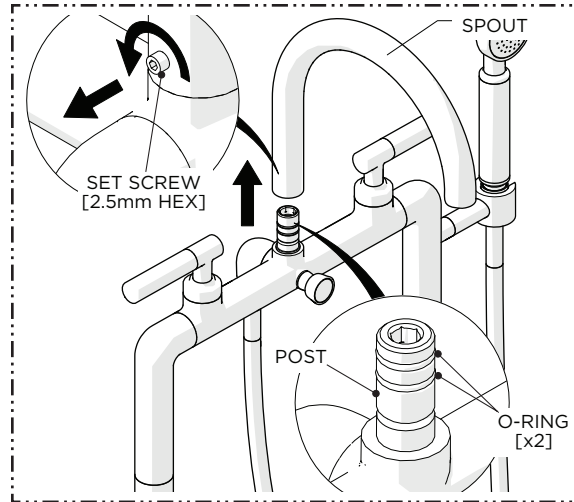
# INSTALLATION GUIDELINES

## FLOOR MOUNTED EXPOSED TUB FILLER WITH HANDSHOWER

WATERWORKS

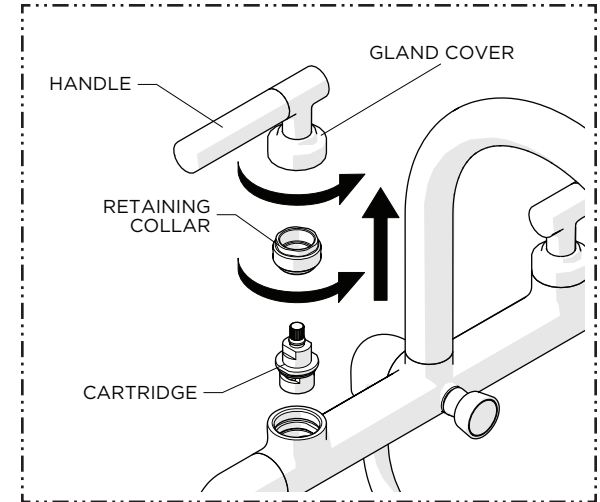


13. With water running, operate the **DIVERTER KNOB** to ensure it and the **HANDSHOWER** function properly then turn off the water and re-install the **AERATOR**.



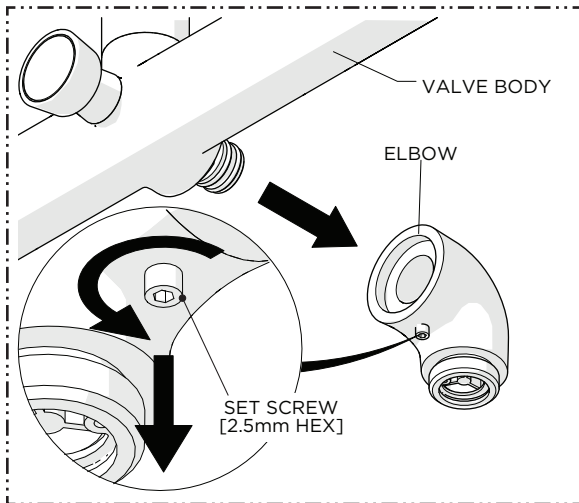
### SERVICING THE SPOUT

1. Loosen, but do NOT remove, the **SET SCREW** at the base of the **SPOUT** then remove the **SPOUT** to expose the **POST** and external **O-RINGS**.



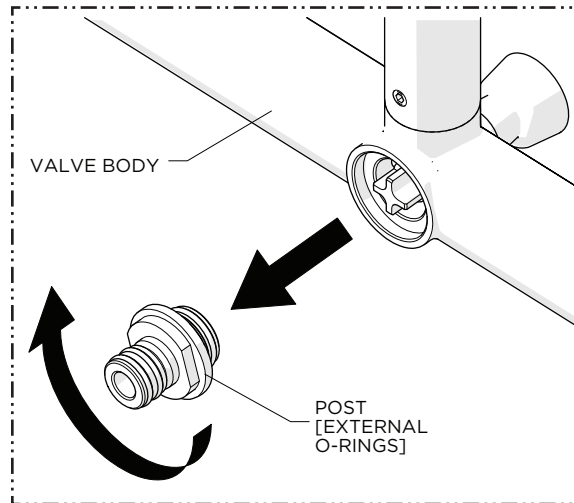
### SERVICING THE CARTRIDGE

1. Unthread the **GLAND COVER** to remove the **HANDLE**, unthread and remove the **RETAINING COLLAR**, then remove the **CARTRIDGE**.

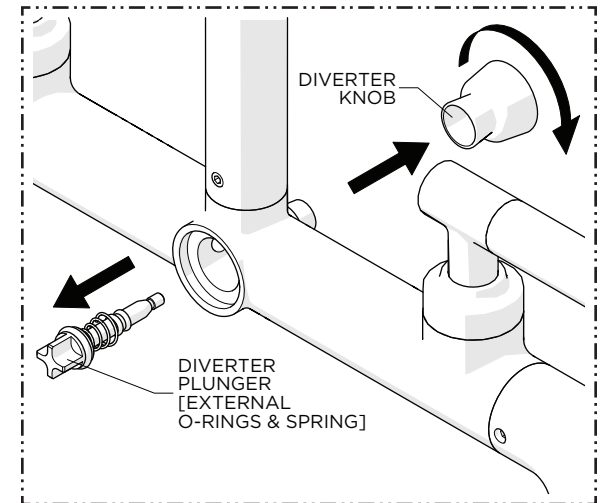


### SERVICING THE DIVERTER

1. Loosen, but do NOT remove, the **SET SCREW** on the underside of the **SUPPLY ELBOW** then pull the **ELBOW** to remove it from the **VALVE BODY**.



2. Unthread and remove the **POST** from the **VALVE BODY**.



3. While holding the **DIVERTER PLUNGER**, unthread the **KNOB** from the **PLUNGER** then remove both parts.

**NOTE:** A pair of needle nose pliers may be used to hold the **PLUNGER** during removal.