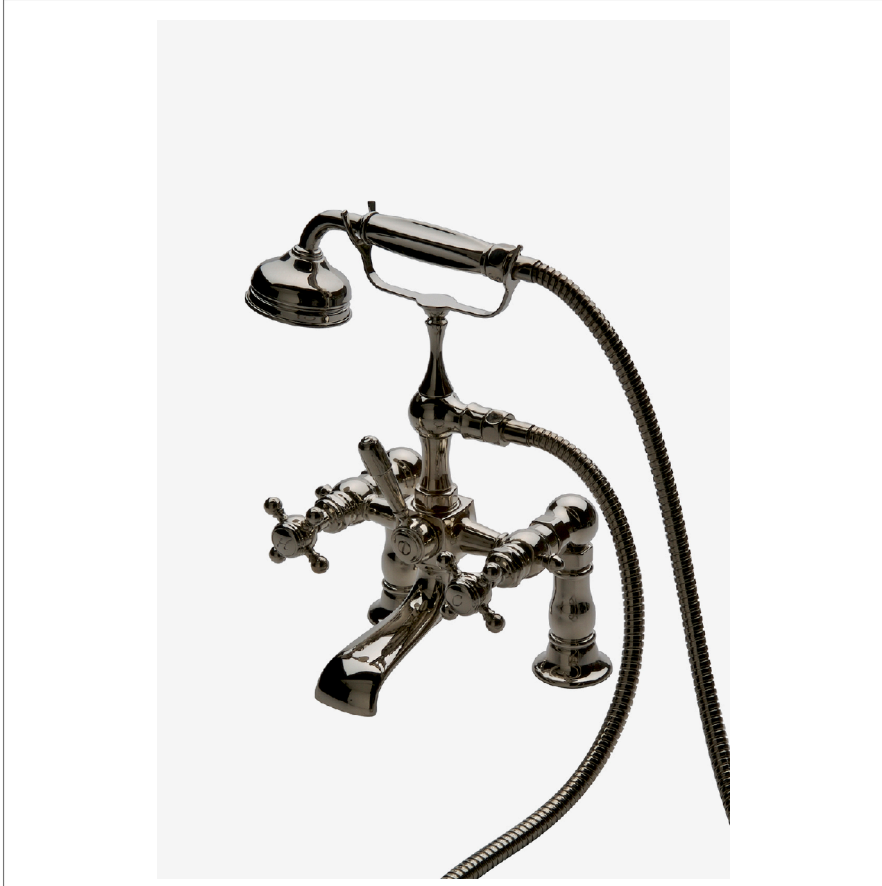


## JULIA

JUXT02

Julia Exposed Tub Filler with Handshower and Metal Lever Diverter



SHOWN IN JULIA EXPOSED TUB FILLER WITH HANDSHOWER AND METAL LEVER DIVERTER | JUXT02

### TECHNICAL DETAILS

ADA Compliance: No  
 Adjustable Versus Fixed Spray: Fixed Spray  
 Depth/Width: 6 1/2"  
 Diameter Of Head: 2.8"  
 Flow Restriction Options: 2.5, 2.0, 1.75, 1.5, 0.92  
 Handle Spread Maximum: 5 7/8"  
 Handle Spread Minimum: 5 7/8"  
 Handle Turn Angle: Quarter Turn  
 Handshower Spray Hose Length: 60"  
 Height: 12 1/2"  
 Index Color Finish And Material: White Porcelain  
 Index Marking: Hot/Cold  
 Inlet Connection Size: 3/4"  
 Inlet Connection Type: Union Nut  
 Inlet Supply Spread Maximum: 5 7/8"  
 Inlet Supply Spread Minimum: 5 7/8"  
 Integrated Diverter: Y  
 Length: 10 1/2"  
 Number Of Handles: Three  
 Pivot: N  
 Primary Material: Brass  
 Spout Swivel: N  
 Suggested Application: Bath  
 Valve Material: Ceramic  
 Water Pressure Maximum: 85.0 psi  
 Water Pressure Minimum: 20.0 psi  
 Water Pressure Recommended: 45.0 psi

### INSPIRATION

An interpretation of 1920s French country, Julia speaks to decoration and intricate design displayed through beautifully composed turnings. These details embody the robust, signature high profile spout enabling Julia to transition fluidly from informal to formal environments.

### CODES & STANDARDS

CEC, State of MA

### PRODUCT FEATURES

Cross handles, lever diverter and indices

Diverter handle allows bather to move water from spout to handshower

Unions sold separately - UNUN60 (Floor Union), JUUN07 (Deck Union) and JUUN06 (Wall Union)

Stocked in Chrome, Nickel, Brass & Matte Nickel

Unrestricted Flow for Tub Spout. Handshower Available in 1.75gpm (6.6L/min) Flow Rate

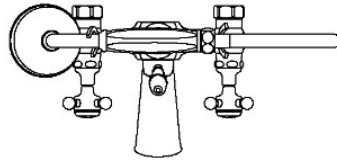
### CERTIFICATIONS

Requires wall unions (JUUN06), deck unions (JUUN07), or  
**PRODUCT UNIONS**

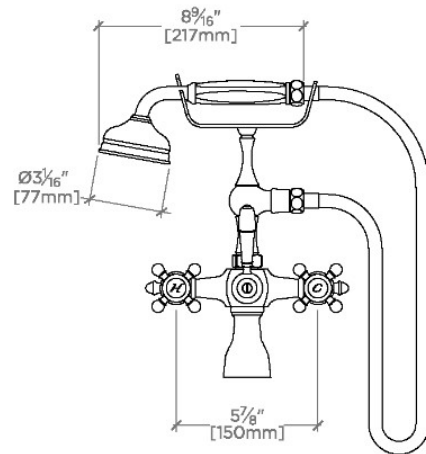
## JULIA

## JUXT02

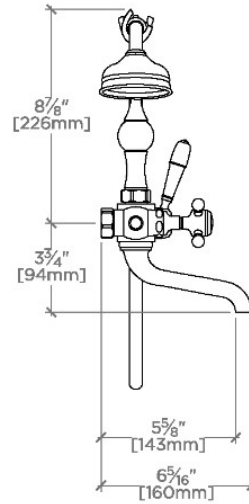
Julia Exposed Tub Filler with Handshower and Metal Lever Diverter



TOP VIEW SCALE: 1 1/2"=1'-0"



FRONT VIEW SCALE: 1 1/2"=1'-0"



SIDE VIEW SCALE: 1 1/2"=1'-0"