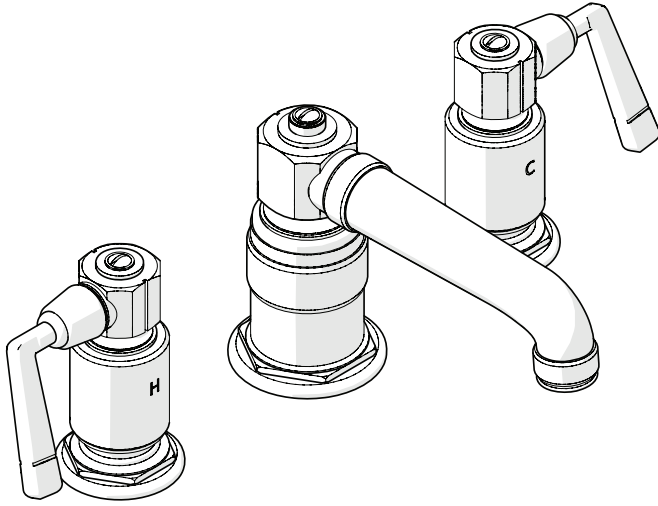


Side Mounted Metal Lever Handles

STYLE No. RWLS10**SPECIFICATIONS:**

Drain Depth: 2-1/2" **Maximum**
 Drain Depth: 3/8" **Minimum**
 Drain Hole Diameter: Ø1-3/4"
 Drain Style: Push Touch (Drain Included)
 Fitting Hole Diameter: Ø1-3/8"
 Handle Spread: 12" **Maximum**
 Handle Spread: 8" **Minimum**
 Inlet Connection Size: 1/2"
 Inlet Connection Type: Male with supply nut
 Deck Thickness: 1 -5/8" **Maximum**
 Deck Thickness: 1/4" **Minimum**
 Water Pressure: 80psi **Maximum**
 Water Pressure: 20psi **Minimum**
 Recommended Water Pressure: 45psi

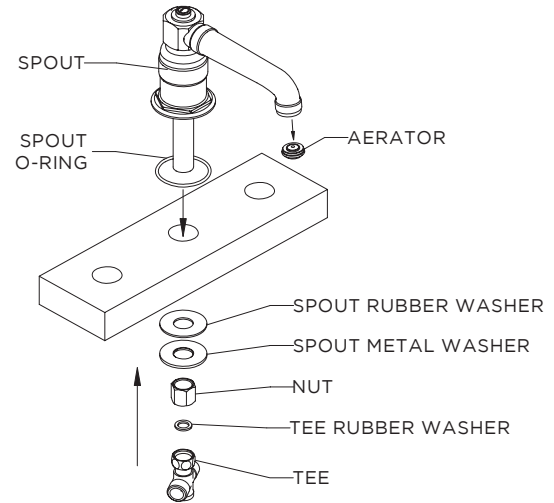
IMPORTANT:

- **NOTE:** The screw on the top of the handle assembly and on the top of the spout assembly are aesthetic and does **not** serve any mechanical purposes and should **not** be removed.
- To ensure this product is installed properly, you must read and follow these guidelines.
- The owner/user of this product must keep this information for future reference.
- Be sure your installation conforms to all federal, state, and local codes. In the State of Massachusetts, all installations must comply with the rules and regulations set forth within 248 CMR.
- This product must be installed by a professional licensed contractor.
- Inspect this product to ensure you have all the parts required for proper installation.

- Use only a strap wrench or protected/smooth-jaw wrench on any finished surface.
- **DO NOT** use putty on deck fittings. Upper and lower washers are provided.

SPOUT INSTALLATION:

- See Figure 1. for Steps 1-3.
1. Remove the tee, tee rubber washer, nut, metal washer & spout rubber washer from the bottom of the spout.
 2. Insert the spout into the hole on the mounting surface making sure the o-ring is underneath the spout.
 3. Re-install spout rubber washer, metal washer and nut (in that order). Re-attach the tee making sure the tee rubber washer is in the outlet.

FIGURE - 01**HANDLE INSTALLATION:**

- See Figure 2. for Steps 4-8.
4. Remove the rubber washer, plastic washer & nut from the handle's threaded shank.

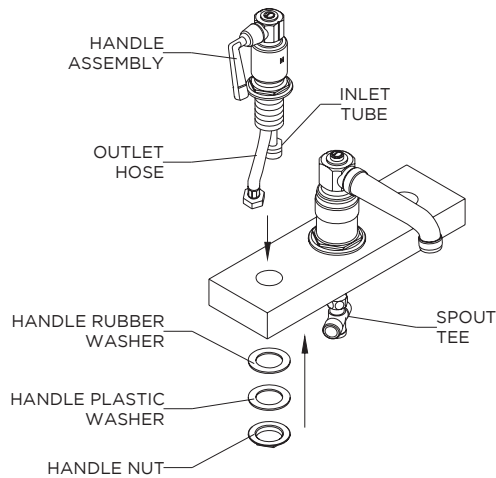
Note: The inlet tube may need to be unthreaded and removed in order to remove nut.
 5. Place the handle assembly through the hole in the deck, along with the outlet hose & inlet tube.
 6. Re-install rubber washer, plastic washer and nut from under the deck. Tighten the nut up against the bottom of the mounting surface to secure the handle assembly.

These guidelines have been prepared for the professional contractor to aid in the installation of: RW ATLAS MARQUEE DECK MOUNTED LAVATORY FAUCET WITH METAL SIDE MOUNT LEVER HANDLES (STYLE No. RWLS10).

All dimensions are based on original specification and are subject to change and variation. PLEASE CONSULT YOUR DESIGN ASSOCIATE FOR CURRENT SPECIFICATIONS. SEE SERVICE PART DOCUMENT FOR PART ORDERING, AVAILABLE ON WATERWORKS.COM

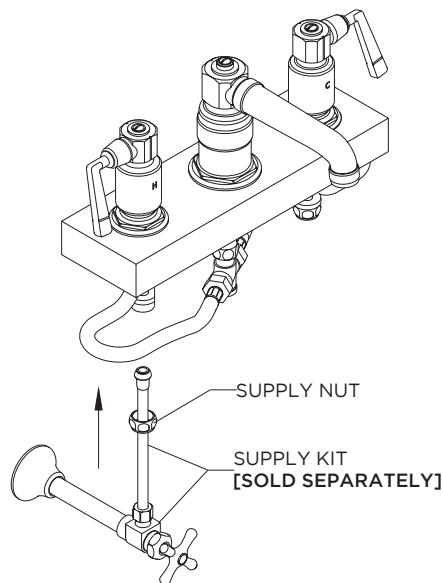
WATERWORKS

FIGURE - 02



- Attach outlet hose to spout tee.
- Attach supply kit **[sold separately]** to inlet supply tube on handle assembly, using the supply nut. See figure-03.

FIGURE - 03

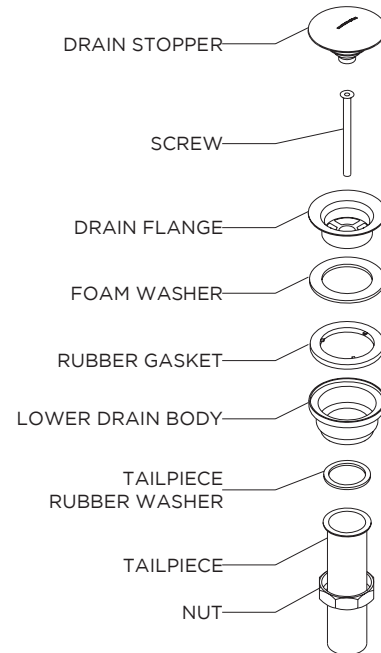


- Repeat steps 4-8 to install the second handle assembly.

DRAIN INSTALLATION:

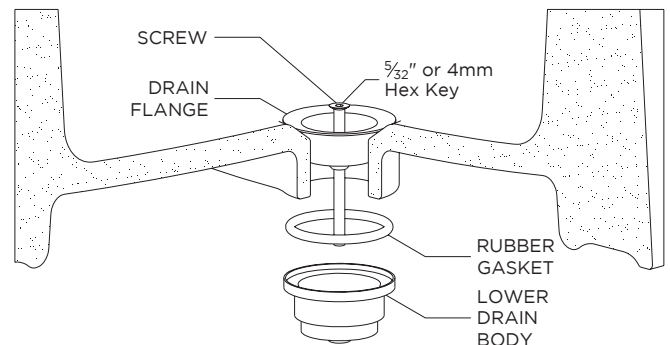
- Unthread and remove the drain stopper and lower drain body from the drain flange. The foam washer can be discarded then remove the tailpiece from the lower drain body. See figure-04.

FIGURE - 04



- Set the drain flange in the lavatory drain opening using putty or a clear adhesive silicone depending on the mounting surface material.* Re-install the lower drain body with the screw, making sure to use the rubber gasket provided and tighten until fully secured. Putty or a clear adhesive silicone may be used to ensure a water-tight seal between the gasket and lavatory.* See figure-05.

FIGURE - 05



- Re-install the tailpiece using the washer and nut then re-install the drain stopper.

INSPECT THE INSTALLATION:

- Remove the flow restricting aerator using a flat head screw driver or a coin, then carefully open the **hot** and **cold** valves to flush out any debris in the SUPPLY LINES. See Figure-01.
- Inspect all connections for **leaks**.
- Close the drain and fill the sink with water to make sure the drain stopper and gasket operates and seals properly.

These guidelines have been prepared for the professional contractor to aid in the installation of: **RW ATLAS MARQUEE DECK MOUNTED LAVATORY FAUCET WITH METAL SIDE MOUNT LEVER HANDLES (STYLE No. RWLS10)**. All dimensions are based on original specification and are subject to change and variation. PLEASE CONSULT YOUR DESIGN ASSOCIATE FOR CURRENT SPECIFICATIONS. SEE SERVICE PART DOCUMENT FOR PART ORDERING, AVAILABLE ON WATERWORKS.COM

R.W. ATLAS

Marquee Three Hole Deck Mounted Lavatory Faucet

Installation Guidelines

17. Re-install the flow restricting aerator making sure the washer is in place.
 18. The hex collars on the bottoms of the handle assembly and the bottom of the spout assembly can be rotated after installation to orientate the hexes so they are straight.
 19. The handle barrels can also be rotated to the proper orientation to align the "H" & "C".
 20. The screw on the top of the handle assembly and on the top of the spout assembly are aesthetic and does **not** serve any mechanical purposes and should **not** be removed.
- * Putty contains oils and can cause permanent discoloration on certain materials such as marble, granite and any porous surface.
21. If further assistance is required, please contact Product Support at 1-800-927-2120 (8am-6pm EST).
- **See service part document for parts ordering, available on WATERWORKS.COM.**

These guidelines have been prepared for the professional contractor to aid in the installation of:
RW ATLAS MARQUEE DECK MOUNTED LAVATORY FAUCET WITH METAL SIDE MOUNT LEVER HANDLES (STYLE No. RWLS10).
All dimensions are based on original specification and are subject to change and variation.
PLEASE CONSULT YOUR DESIGN ASSOCIATE FOR CURRENT SPECIFICATIONS.
SEE SERVICE PART DOCUMENT FOR PART ORDERING, AVAILABLE ON WATERWORKS.COM

WATERWORKS