

MARBELLA

MBCS21

Marbella Wall Mounted Marble Lavatory Sink 30" x 14 3/4" x 6" with 30" x 8" x 3/4" Backsplash



SHOWN IN MARBELLA WALL MOUNTED MARBLE LAVATORY SINK 30" X 14 3/4" X 6" WITH 30" X 8" X 3/4" BACKSPLASH | MBCS21

TECHNICAL DETAILS

Depth To Overflow: 2 1/2"
Drain Hole Depth: 1 7/8"
Drain Hole Diameter: 1 3/4"
Drain Style: Center Drain
Fittings Hole Diameter: 1 3/8"
Overflow Opening: Yes

INSPIRATION

Marbella exemplifies angular refinement. The design's sculptural square forms showcase the beauty of fine stone, while gently softened edges exude quiet sophistication.

CODES & STANDARDS

PRODUCT FEATURES

Designed by and exclusive to Waterworks

Sourced and made in Italy

Carved from a solid block of stone. Packaged item weight: 202 lbs

Backsplash designed for wall mounted faucet and handles

Features an integrated overflow

CERTIFICATIONS

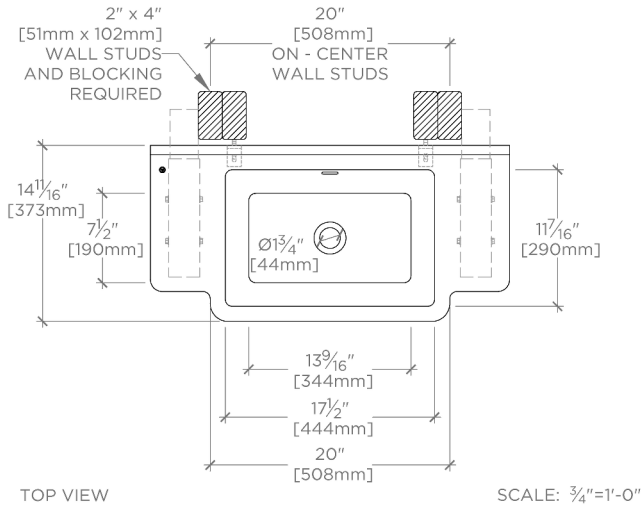
PRODUCT (NOTES)

WATERWORKS

MARBELLA

MBCS21

Marbella Wall Mounted Marble Lavatory Sink 30" x 14 3/4" x 6" with 30" x 8" x 3/4" Backsplash



REQUIRED MOUNTING HARDWARE (SOLD SEPARATELY)

STYLE: 106802

DESCRIPTION: UNIVERSAL PAIR (L/R) 20" STAINLESS STEEL ADJUSTABLE CONCEALED SUPPORT BRACKETS, WALL SUPPORT BRACKETS AND HARDWARE FOR WALL MOUNTED STONE SINK.

