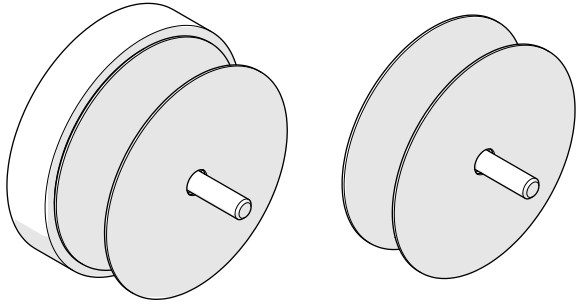


# INSTALLATION GUIDELINES

## UNIVERSAL SINGLE OR DOUBLE SIDED GLASS MOUNT ADAPTER



STYLES	
100600	100601

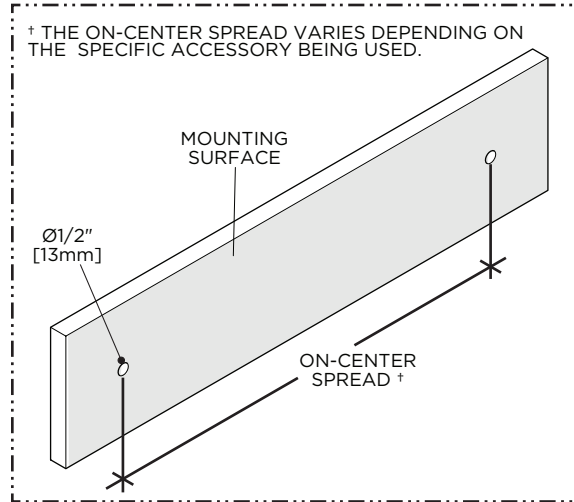
### IMPORTANT:

- To ensure this product is installed properly, you must read and follow these guidelines.
- The owner/user of this product must keep this information for future reference.
- This product must be installed by a professional licensed contractor.
- This product can be installed on glass that ranges from 1/4" [6mm] - 7/8" [22mm] thickness using the hardware (or SET SCREWS) provided.

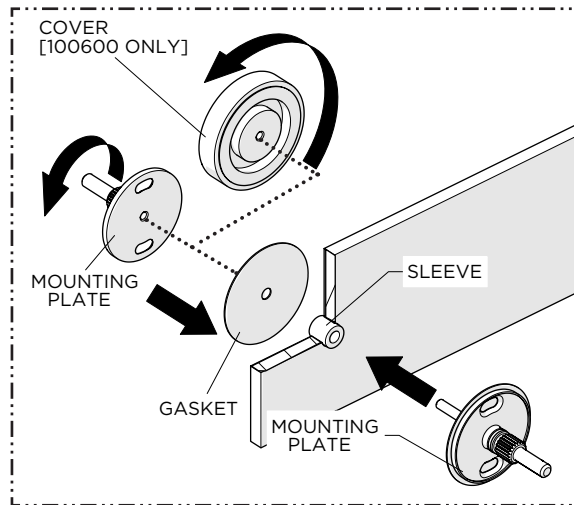
### LENGTH:

SET SCREW	GLASS THICKNESS RANGE
25mm	1/4" [6mm] - 3/8" [10mm]
30mm	1/2" [13mm] - 5/8" [16mm]
35mm	3/4" [19mm] - 7/8" [22mm]

- This product requires a 1/2" [13mm] hole for proper installation. If using this product with a TOWEL BAR or SHELF, verify the on-center spread of the specific product being used **before** drilling the 1/2" [13mm] holes.
- To avoid damaging the product, do NOT use power tools during installation.
- If further assistance is required, please contact Product Support at 1-800-927-2120 Monday through Friday, 8am - 6pm EST.



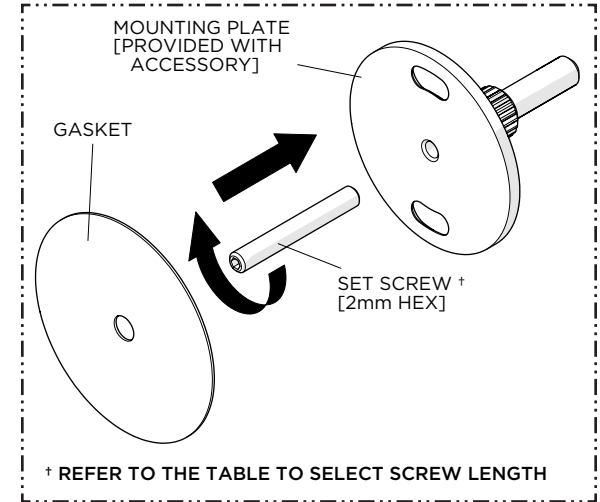
1. Ensure any pre-drilled hole is a 1/2" [13mm]. For ACCESSORIES with 2 mounting holes, ensure the holes are level and at the proper on-center spread.



3. Insert the SLEEVE into the pre-drilled hole, insert the SET SCREW through the SLEEVE, and slide the second GASKET onto the SCREW then thread the COVER, or second MOUNTING PLATE, onto the SCREW.

**NOTE:** Make sure to use the GASKETS provided to protect the mounting surface.

# WATERWORKS



† REFER TO THE TABLE TO SELECT SCREW LENGTH

2. Thread the appropriate length SET SCREW into the MOUNTING PLATE then slide the GASKET over the SCREW.

**NOTE:** 3 different length SET SCREWS are provided.

**FINISH THE INSTALLATION FOLLOWING THE GUIDELINES PROVIDED WITH THE ACCESSORY BEING USED.**

# WATERWORKS

## INSTALLATION GUIDELINES

### IMPORTANT:

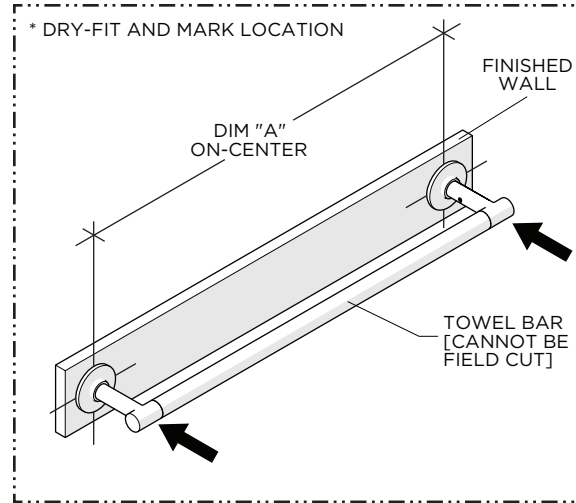
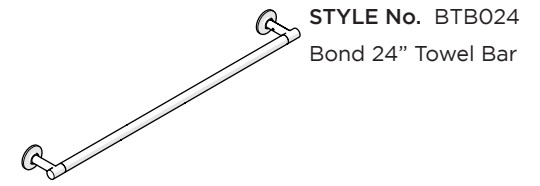
- To ensure this product is installed properly, you must read and follow these guidelines.
- The owner/user of this product must keep this information for future reference.
- This product must be installed by a professional licensed contractor.
- Inspect this product to ensure you have all the parts required for proper installation.
- DRYWALL ANCHORS for a typical drywall installation are provided. Do **NOT** use the ANCHORS if mounting directly onto wood blocking or a stud.
- If further assistance is required, please contact Product Support at 1-800-927-2120 Monday through Friday, 8am - 6pm EST.
- Refer to the separate Service Parts Documents for available replacement parts.

### TECHNICAL DETAILS:

DETAIL	SPECIFICATION
PRIMARY MATERIAL	BRASS
TUBE DIAMETER	3/4" [19mm]

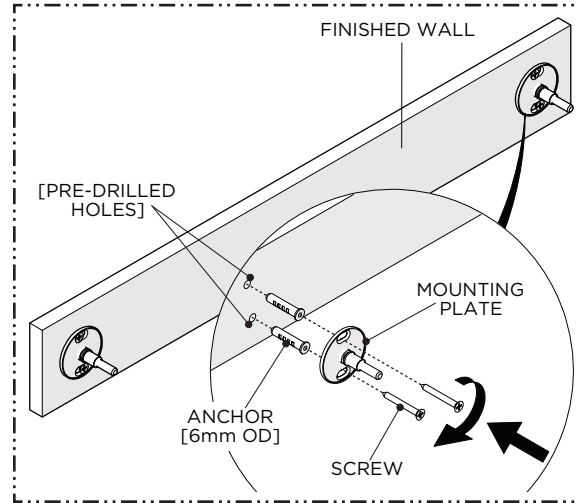
### ON-CENTER SPREAD:

STYLE	DIM "A"
BTB018	18" [457mm]
BTB024	24" [610mm]



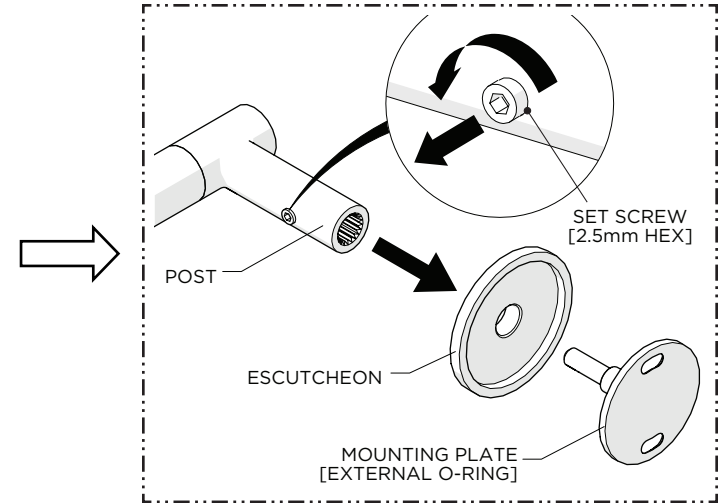
1. Dry-fit the TOWEL BAR to the finished wall and mark the ideal location making sure to hold the BAR level.

**NOTE:** Verify the on-center spread, DIM "A".



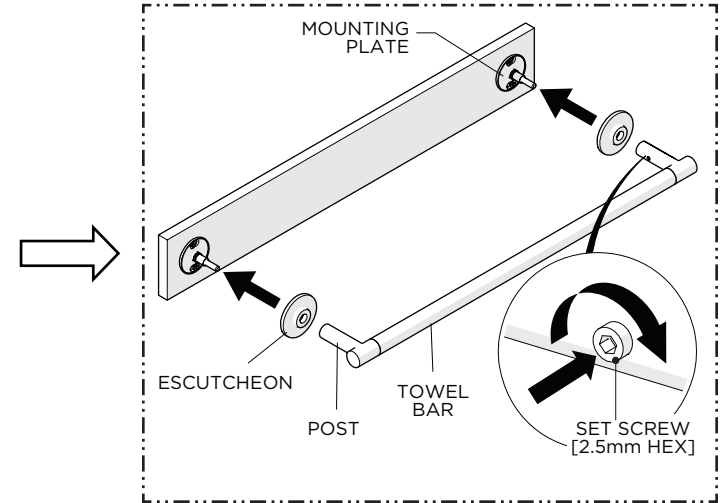
3. Using the previous marks as a reference, install the MOUNTING PLATES using the ANCHORS, if necessary, and SCREWS provided.

**NOTE:** Ensure the MOUNTING PLATES are level and at the correct on-center spread, DIM "A".



2. Loosen, but do **NOT** remove, the SET SCREW on the POST and remove the MOUNTING PLATE and ESCUTCHEON.

**NOTE:** Do **NOT** remove the O-RING on the MOUNTING PLATE.



4. Slide the ESCUTCHEONS and POSTS onto the MOUNTING PLATES then thread and securely tighten the SET SCREWS.