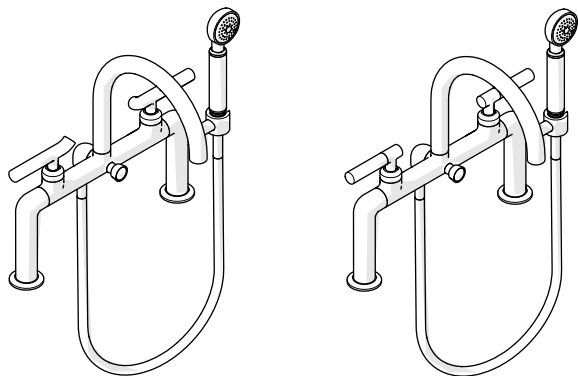


INSTALLATION GUIDELINES

DECK MOUNTED EXPOSED TUB FILLER WITH HANDSHOWER

BOND DECK MOUNTED EXPOSED TUB FILLER WITH HANDSHOWER AND LEVER HANDLES



STYLES		
BXT260 [SHOWN]	BXT27A	BXT27B [SHOWN]
BXT27C	BXT27D	BXT27E
BXT27S	BXT290	

IMPORTANT:

- To ensure this product is installed properly, you must read and follow these guidelines.
- The owner/user of this product must keep this information for future reference.
- This product must be installed by a professional licensed contractor and must be on-site prior to rough-in. This allows the installer to visualize the installation and verify the 12-1/2" [318mm] on-center inlet supply spread. The inlet supply spread on this product is **NOT** adjustable.
- Run 3/4" SUPPLY LINES for **MAXIMUM** flow and install ACCESSIBLE hot and cold service stop valves to facilitate servicing.
- Be sure your installation conforms to federal, state, and local codes.
 - Anti-scaled protection is the responsibility of the installer and according to applicable codes.
 - A water temperature limiting device is the responsibility of the installer and must be in accordance with ASSE 1070.
 - In the State of Massachusetts, all installations must comply with the rules and regulations set forth within 248 CMR.
- Check TUB measurements to ensure the SPOUT project far enough into the TUB.
- Inspect this product to ensure you have all the parts required for proper installation.

- Product is **sold partially** assembled but shown fully disassembled for illustrative and service purposes only.
- Use only a strap wrench or protected/smooth-jaw wrench on any finished surface.
- The use of certain plumber's putty may stain stone or tile surfaces.
- If further assistance is required, please contact Product Support at 1-800-927-2120 Monday through Friday, 8am - 6pm EST.

TECHNICAL DETAILS:

DETAIL	SPECIFICATION
DIAMETER OF HANDSHOWER HEAD	Ø 2-1/8" [54mm]
DECK THICKNESS	1-1/2" [38mm] MAXIMUM
FITTINGS HOLE DIAMETER	Ø 1-3/8" [35mm]
HANDLE TURN ANGLE	QUARTER TURN
HOSE LENGTH	59" [1.5m]
INLET CONNECTION	3/4" MALE NPT †
INLET SUPPLY SPREAD	12-1/2" [318mm] [NOT ADJUSTABLE]
INTEGRATED DIVERTER	YES
SPOUT REACH	7-7/8" [200mm]
WATER PRESSURE	85psi [6.0 bar] MAXIMUM
	20psi [1.5 bar] MINIMUM
WATER PRESSURE RECOMMENDED	45psi [3.0 bar]

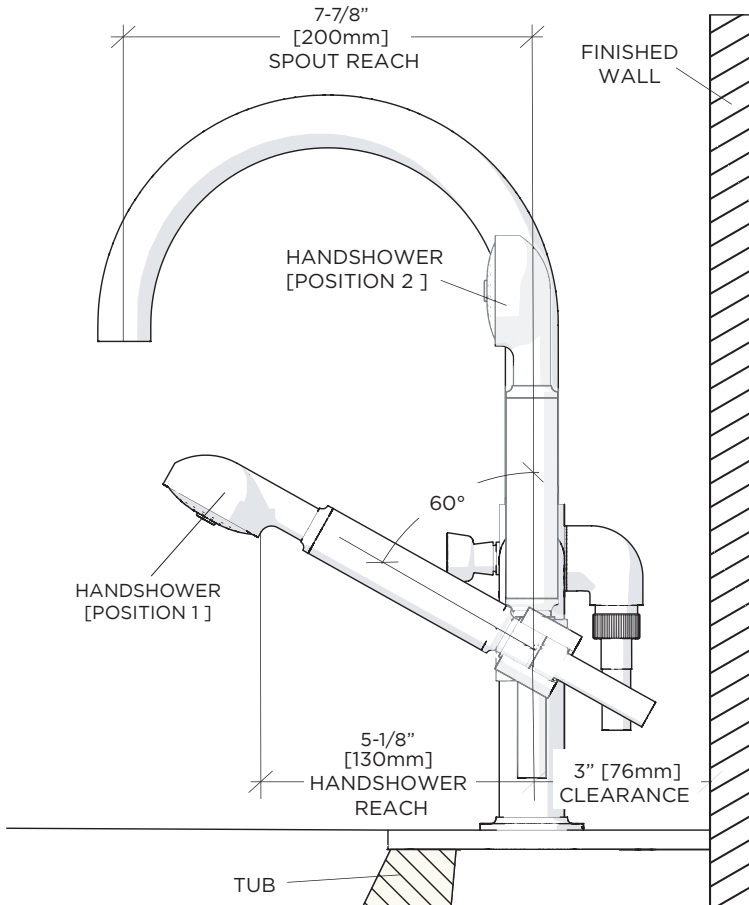
- † For **INTERNATIONAL USE ONLY**, 3/4" FEMALE NPT x 3/4" BSPP MALE ADAPTERS are provided.

INSTALLATION GUIDELINES

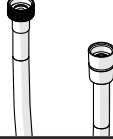
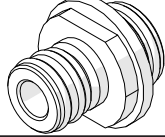
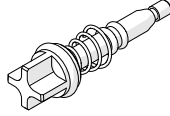
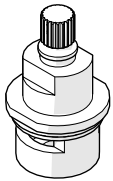


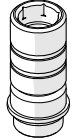

DECK MOUNTED EXPOSED TUB FILLER WITH HANDSHOWER

RECOMMENDED INSTALLATION:

- This product has an adjustable HANDSHOWER HOOK which can be installed in 2 positions.
 - POSITION 1 which holds the HANDSHOWER at a 60° angle.
 - POSITION 2 which holds the HANDSHOWER in the completely vertical position.
- The HANDSHOWER HOOK is **NOT** pre-installed and is packaged separately to allow the installer to select the desired position.
- Consider the user's aesthetic preference and installation conditions when installing the HANDSHOWER HOOK. It is **HIGHLY RECOMMENDED** that the HANDSHOWER is set to POSITION 1 and the TUB's inner edge is within the HANDSHOWER REACH in order to minimize the dripping associated with common use.

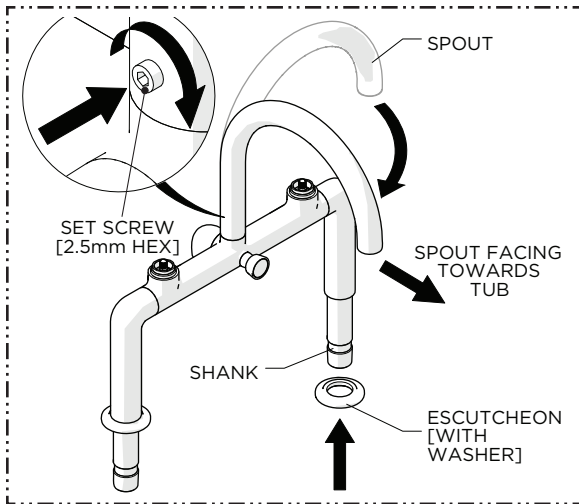


SERVICE PARTS:

	PART No.	DESCRIPTION
	100273	HANDSHOWER HOSE
	100746	HANDSHOWER SLIP CONNECTION POST
	100607	PULL DIVERTER PLUNGER
	100604 [SHOWN]	RIGHT TURN CLOSE CARTRIDGE (HOT)
	100605	LEFT TURN CLOSE CARTRIDGE (COLD)
	103678	CHECK VALVE
	535592	FLOW REGULATING CHECK VALVE
	100608	SPOUT SLIP CONNECTION POST
	BNU054	HANDSHOWER

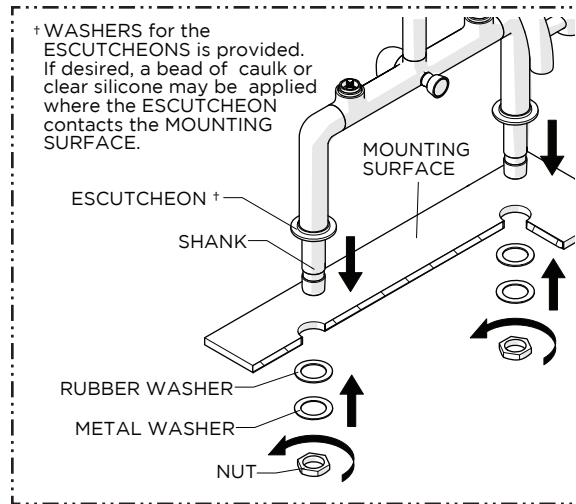
INSTALLATION GUIDELINES

DECK MOUNTED EXPOSED TUB FILLER WITH HANDSHOWER

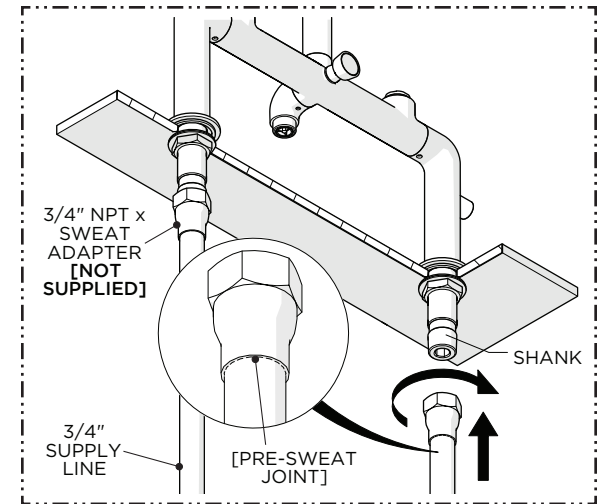


1. Align the SPOUT properly and securely tighten the SET SCREW at the base of the SPOUT then slide the ESCUTCHEONS onto the SHANKS.

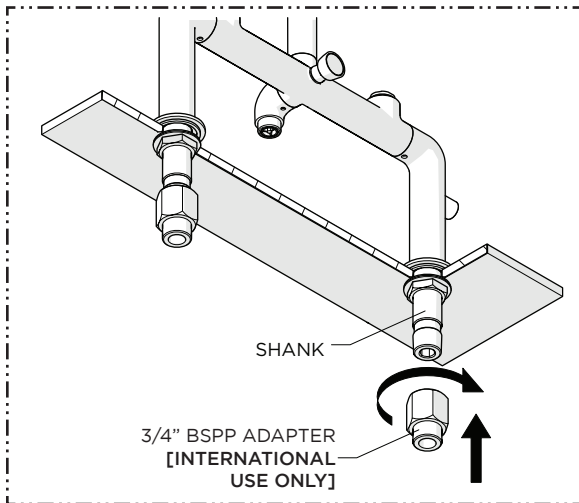
NOTE: Do **NOT** remove the FOAM WASHERS on the ESCUTCHEONS.



2. Insert the SHANKS into the holes on the MOUNTING SURFACE then attach the RUBBER and METAL WASHERS and NUTS onto the SHANKS. Securely tighten the NUTS against the underside of the MOUNTING SURFACE.

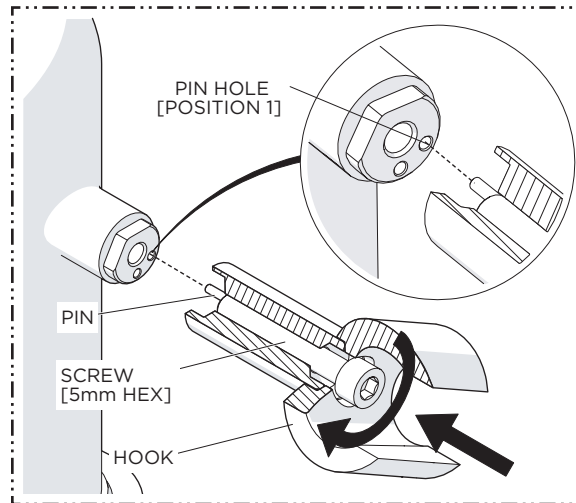


3. Pre-sweat 3/4" female NPT x SWEAT ADAPTERS to 3/4" SUPPLY LINES and let cool. Apply a thin coat of pipe thread sealant to the male threads on the SHANKS then thread and securely tighten the ADAPTERS onto the SHANKS.



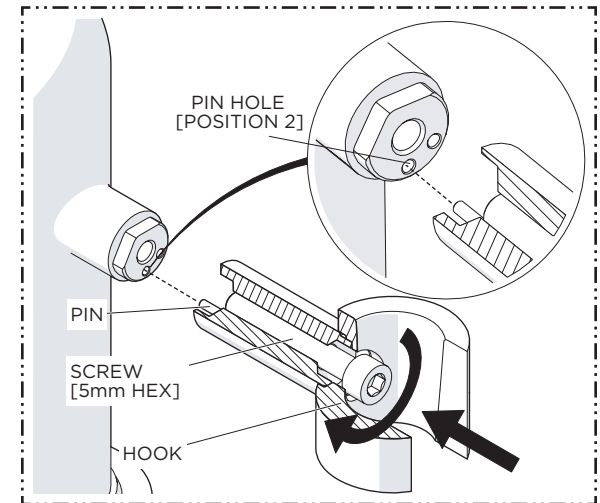
FOR INTERNATIONAL INSTALLATIONS ONLY:

4. 3/4" female NPT x 3/4" male BSPP ADAPTERS are provided. Thread and securely tighten the ADAPTERS onto the SHANKS.



HOOK POSITION 1 [RECOMMENDED]:

5. Place the HOOK on the POST making sure to properly align the PIN with the PIN HOLE [POSITION 1] and use the SCREW provided to fasten the HOOK in place.

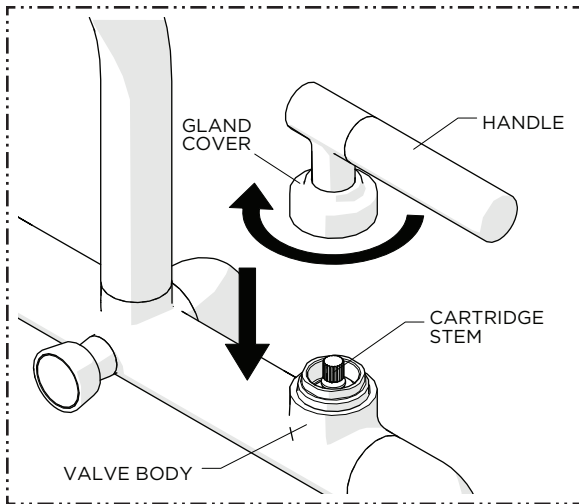


HOOK POSITION 2:

6. Place the HOOK on the POST making sure to properly align the PIN with the PIN HOLE [POSITION 2] and use the SCREW provided to fasten the HOOK in place.

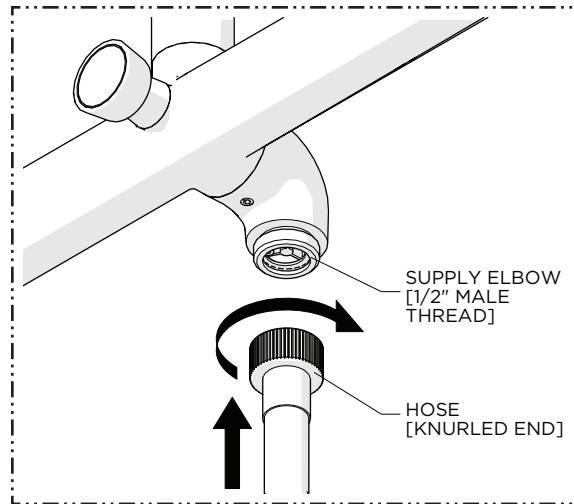
INSTALLATION GUIDELINES

DECK MOUNTED EXPOSED TUB FILLER WITH HANDSHOWER



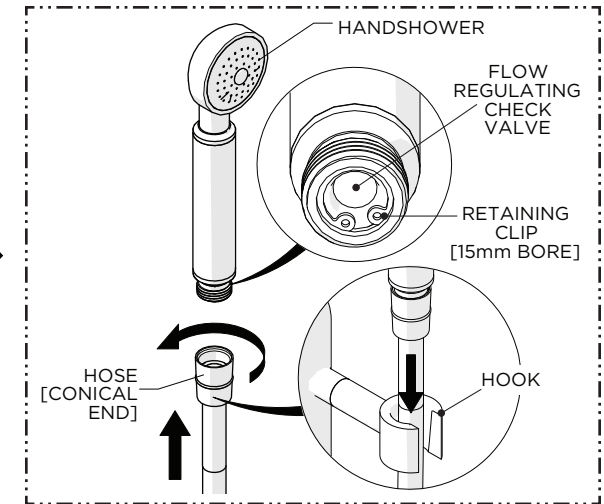
7. With the HANDLE in the desired position, place it over the CARTRIDGE STEM then thread the GLAND COVER onto the VALVE BODY.

▶ REPEAT THIS STEP TO INSTALL THE 2ND HANDLE.



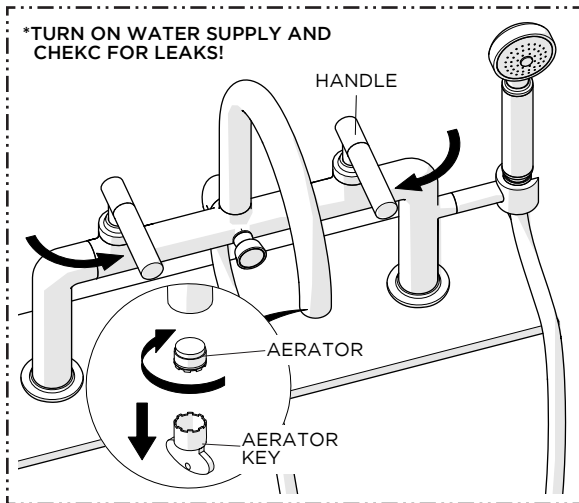
8. Thread the KNURLED END of the HOSE to the SUPPLY ELBOW on the VALVE BODY.

NOTE: A CHECK VALVE is located inside the outlet of the ELBOW.



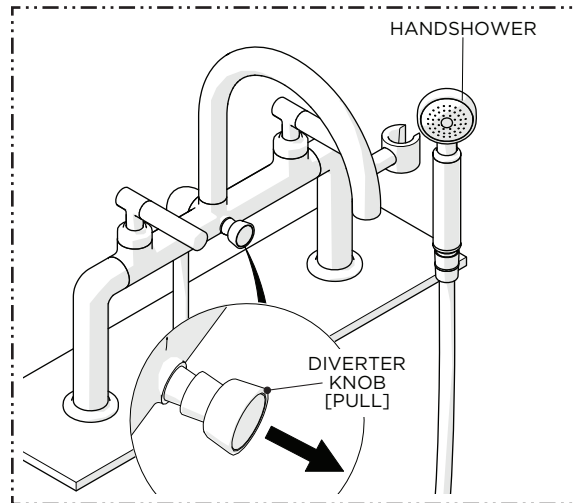
9. Thread the conical end of the HOSE to the HANDSHOWER then rest the HANDSHOWER on the HOOK.

NOTE: A FLOW REGULATING CHECK VALVE is located inside the inlet of the HANDSHOWER.

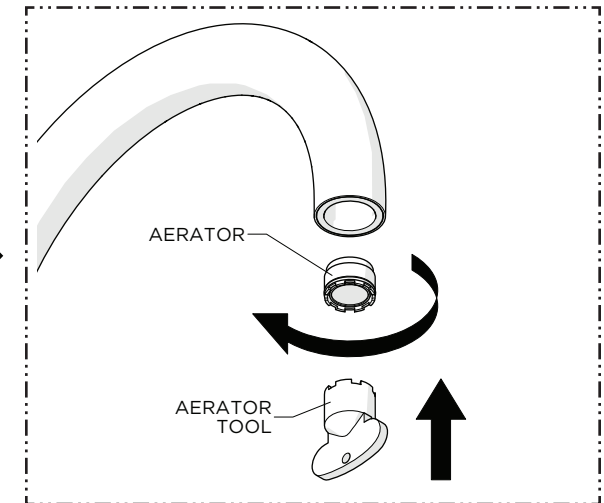


10. Remove the AERATOR using the TOOL provided then turn on the water supply and operate the HANDLES to flush out the SUPPLY LINES and check all connections for **leaks**.

NOTE: Ensure the SUPPLY LINES have been flushed before operating the DIVERTER KNOB.



11. With water running, operate the DIVERTER KNOB to ensure it and the HANDSHOWER function properly then turn off the water.

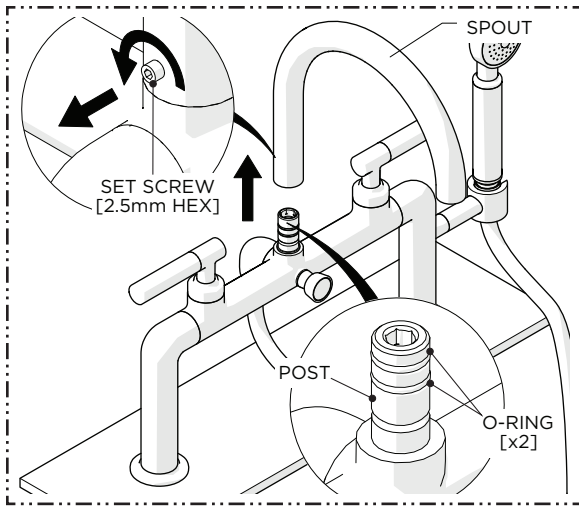


12. Re-install the AERATOR.

SERVICING GUIDELINES

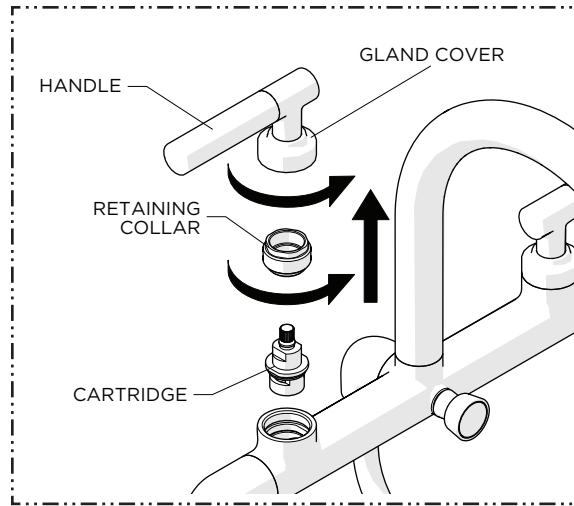
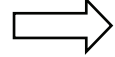
DECK MOUNTED EXPOSED TUB FILLER WITH HANDSHOWER

WATERWORKS



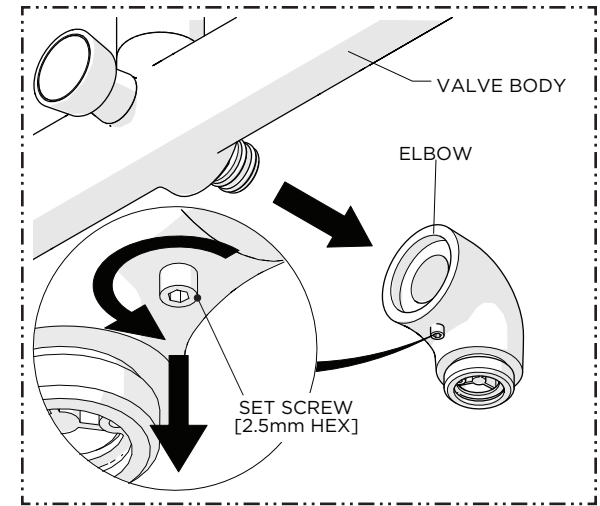
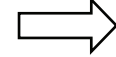
SERVICING THE SPOUT:

1. Loosen, but do **NOT** remove, the SET SCREW at the base of the SPOUT then remove the SPOUT to expose the POST and external O-RINGS.



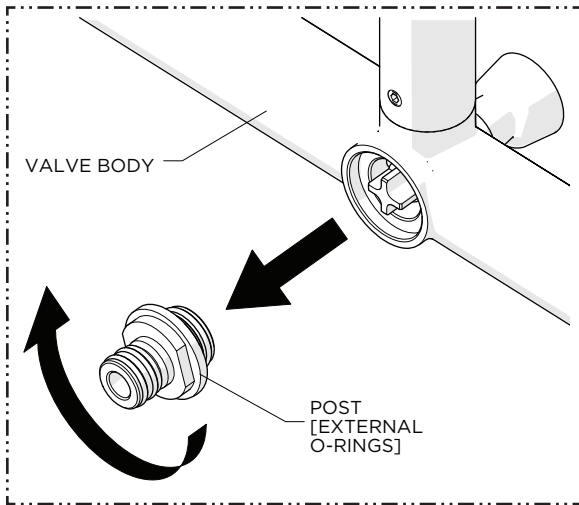
SERVICING THE CARTRIDGE:

1. Unthread the GLAND COVER to remove the HANDLE, unthread and remove the RETAINING COLLAR, then remove the CARTRIDGE.

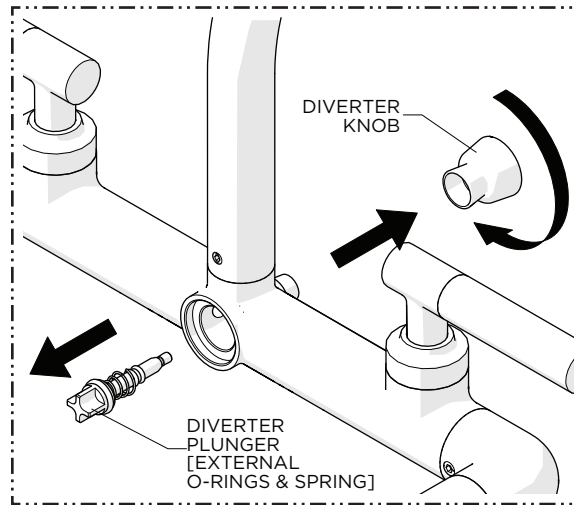
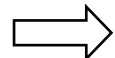


SERVICING THE DIVERTER:

1. Loosen, but do **NOT** remove, the SET SCREW on the underside of the SUPPLY ELBOW then pull the ELBOW to remove it from the VALVE BODY.



2. Unthread and remove the POST from the VALVE BODY.



3. While holding the DIVERTER PLUNGER, unthread the KNOB from the PLUNGER then remove both parts.

NOTE: A pair of needle nose pliers may be used to hold the PLUNGER during removal.