

EASTON

EATH07

Easton Classic Thermostatic Control Valve Trim with Metal Lever Handle



SHOWN IN EASTON CLASSIC THERMOSTATIC CONTROL VALVE TRIM WITH METAL LEVER HANDLE| EATH07

TECHNICAL DETAILS

ADA Compliance: Yes
 Control Valve Rough-in Depth Maximum: 203 mm
 Control Valve Rough-in Depth Minimum: 51 mm
 Diverter Valve Rough-in Depth Maximum: 96 mm
 Diverter Valve Rough-in Depth Minimum: 72 mm
 Escutcheon Primary Material: Brass
 Index Color / Finish and Material: Metal
 Depth / Width: 89 mm
 Height: 159 mm
 Index Marking: Blank
 Integrated Diverter: N
 Length: 152 mm
 Number of Handles: One
 Primary Material: Brass
 Suggested Application: Bath

INSPIRATION

Drawing on Edwardian style, Easton is the most extensive Waterworks family; a range of moods and a selection of products from fittings to furniture.

CODES & STANDARDS

Code # EASV07: ASME A112.18.1, CSA B125, IAPMO, State of MA

PRODUCT FEATURES

Brass metal is used for all trim and valve components
 The manufacturing process encompasses casting, turning, forging, hand-fitting and hand polishing.
 Easton is our most comprehensive fittings family.
 Easton has a clean-lined utilitarian profile, with a slightly elongated spout.

CERTIFICATIONS



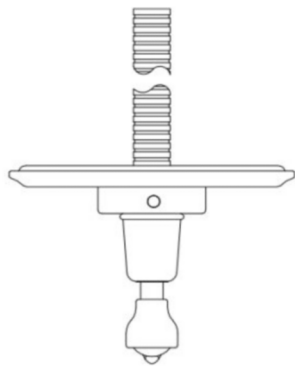
PRODUCT (NOTES)

Valve sold separately.

EASTON

EATH07

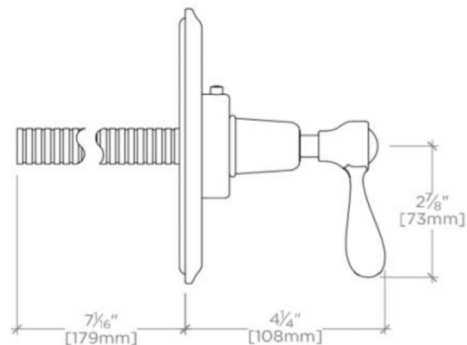
Easton Classic Thermostatic Control Valve Trim with Metal Lever Handle



TOP VIEW SCALE: 3"=1'-0"



FRONT VIEW SCALE: 3"=1'-0"



SIDE VIEW SCALE: 3"=1'-0"