

.25

PTLS02

.25 Low Profile Three Hole Deck Mounted Lavatory Faucet with Metal Lever Handles



SHOWN IN [.25 LOW PROFILE THREE HOLE DECK MOUNTED LAVATORY FAUCET WITH METAL LEVER HANDLES] PTLS02

## TECHNICAL DETAILS

ADA Compliance: Yes  
 Adjustable versus Fixed Spray: Fixed Spray  
 Deck Thickness Maximum: 2 1/8"  
 Deck Thickness Minimum: 1/8"  
 Drain Assembly Materials: Brass  
 Drain Depth Maximum: 1 3/4"  
 Drain Hole Diameter: 1 3/4"  
 Drain Style: Push Touch  
 Escutcheon Primary Material: Brass  
 Fittings Hole Diameter: 1 3/8"  
 Flow Restriction Options: 1.0 , 1.2 , 1.5 , 1.75, 2.2  
 Handle Spread Maximum: 12"  
 Handle Spread Minimum: 8"  
 Handle Turn Angle: Quarter Turn  
 Depth / Width: 7 1/8"  
 Drain Depth Minimum: 1 1/4"  
 Height: 4"  
 Inlet Connection Size: 1/2"  
 Inlet Connection Type: Male With Supply Nut  
 Inlet Supply Spread Maximum: 12"  
 Inlet Supply Spread Minimum: 8"  
 Installation Type: Deck Mounted  
 Length: 11 3/8"  
 Number of Handles: Two  
 Number of Holes: Three Hole  
 Primary Material: Brass  
 Spout Swivel: N  
 Suggested Application: Bath  
 Valve Material: Ceramic  
 Water Pressure Maximum: 85.0 psi  
 Water Pressure Minimum: 20.0 psi  
 Water Pressure Recommended: 45.0 psi

## INSPIRATION

.25 is the ultimate in utilitarian elegance: A simple and understated design that is equally functional and beautiful.

## CODES & STANDARDS

Code # PTLS02Y-LL: Complies with ASME A112.18.1/CSA B125.1, ASME A112.18.2/CSA B125.2, NSF 61, NSF 372, CEC, DOE, ADA and 0.25% Weighted Average Lead Content. Certified with IAPMO, cUPC, NSF, CEC, State of MA, WRAS and EPA Watersense.

## PRODUCT FEATURES

Uses a simple pop-up drain that is closed and opened by pushing down on the stopper. Does not use a lift rod to operate the drain stopper.

Generous length of the lever handle completes itself with an eased, pillowed square form.

Standard flow rate is 2.2gpm (8.3 L/min) and State of California requires 1.2gpm(4.5 L/min). Also available in other flow options. Contact a sales associate for details.

## CERTIFICATIONS



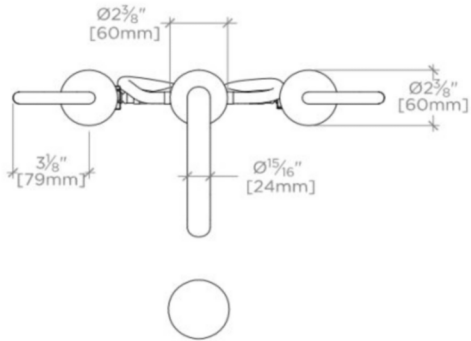
## PRODUCT (NOTES)

Sold with European style drain; USA style drain sold separately for use with non-Waterworks sinks.

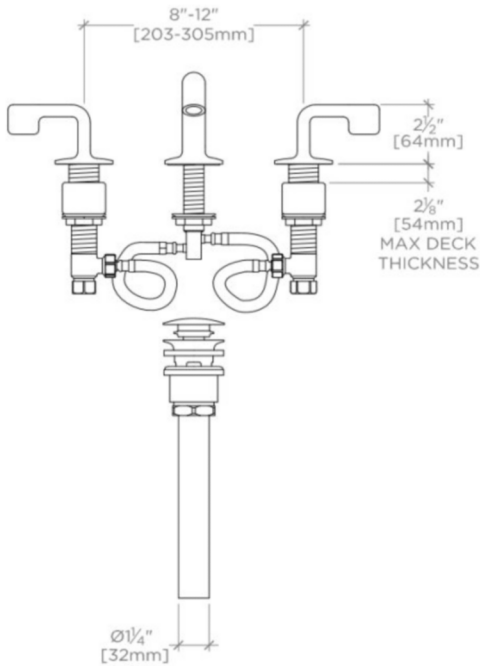
**.25**

**PTLS02**

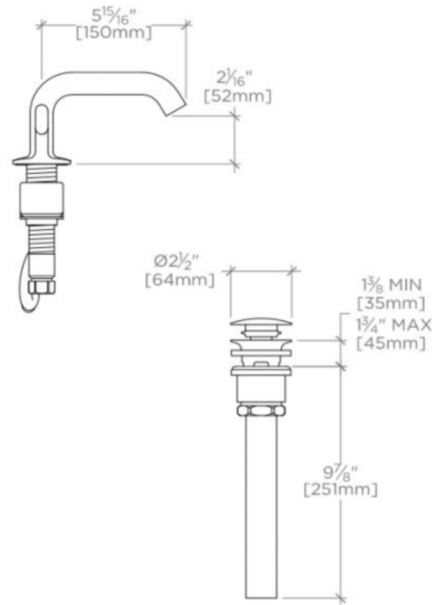
**.25 Low Profile Three Hole Deck Mounted Lavatory Faucet with Metal Lever Handles**



TOP VIEW SCALE: 1 1/2"=1'-0"



FRONT VIEW SCALE: 1 1/2"=1'-0"



SIDE VIEW SCALE: 1 1/2"=1'-0"