

## HENRY

## HNKM10

Henry One Hole Gooseneck Kitchen Faucet, Metal Lever Handle and Spray



SHOWN IN HENRY ONE HOLE GOOSENECK KITCHEN FAUCET, METAL LEVER HANDLE AND SPRAY | HNKM10

### TECHNICAL DETAILS

ADA Compliance: Yes  
 Adjustable Versus Fixed Spray: Fixed Spray  
 Deck Thickness Maximum: 1 5/8"  
 Deck Thickness Minimum: 1/4"  
 Depth/Width: 11 3/4"  
 Escutcheon Primary Material: Brass  
 Fittings Hole Diameter: 1 1/2"  
 Flow Restriction Options: 2.0, 1.75, 1.5  
 Handle Turn Angle: Quarter Turn Each Way  
 Handshower Spray Hose Length: 49"  
 Height: 14 5/8"  
 Inlet Connection Size: 3/8"  
 Inlet Connection Type: Compression Connector Hoses  
 Integrated Diverter: N  
 Length: 11 3/4"  
 Number Of Handles: One  
 Number Of Holes: One Hole  
 Primary Material: Brass  
 Restricted Maximum Flow Rate: 2.2 gpm  
 Spout Swivel: Y  
 Spray Included In Unit: N  
 Suggested Application: Bar, Kitchen, Laundry  
 Valve Material: Ceramic  
 Water Pressure Maximum: 85.0 psi  
 Water Pressure Minimum: 20.0 psi  
 Water Pressure Recommended: 45.0 psi

### INSPIRATION

Influenced by the connection of industry and art Henry easily transitions between modern, traditional, utilitarian and classic settings.

### CODES & STANDARDS

HNKM10X, NSF/ANSI/CAN 61:Q < 1, NSF/ANSI/CAN 372, ASME A112.18.1/CSA B125.1, CEC, State of MA

### PRODUCT FEATURES

The stately single hole fitting stands on a tall well formed pillar with a tapered lever handle. Practical as well a beautiful, this fitting has a hand spray for washing vegetables, rinsing the sink or cleaning pots. Brass material is used for components.

Standard flow rate is 2.2gpm (8.3 L/min) and State of California requires a maximum of 1.8gpm(6.8 L/min). Also available in other flow options. Contact a sales associate for details.

### CERTIFICATIONS



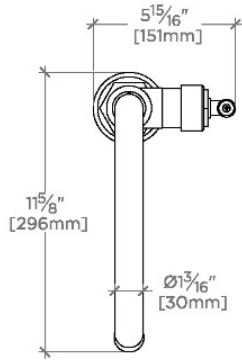
### PRODUCT (NOTES)

# WATERWORKS

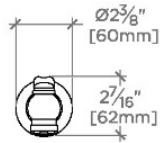
## HENRY

HNKM10

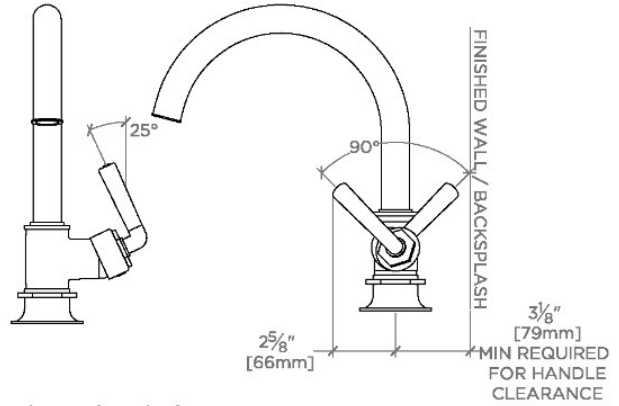
Henry One Hole Gooseneck Kitchen Faucet, Metal Lever Handle and Spray



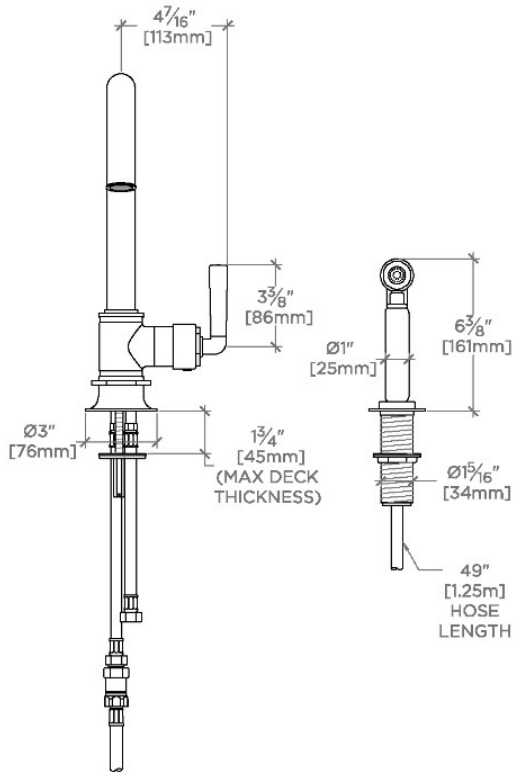
TOP VIEW



SCALE: 1/2"=1'-0"

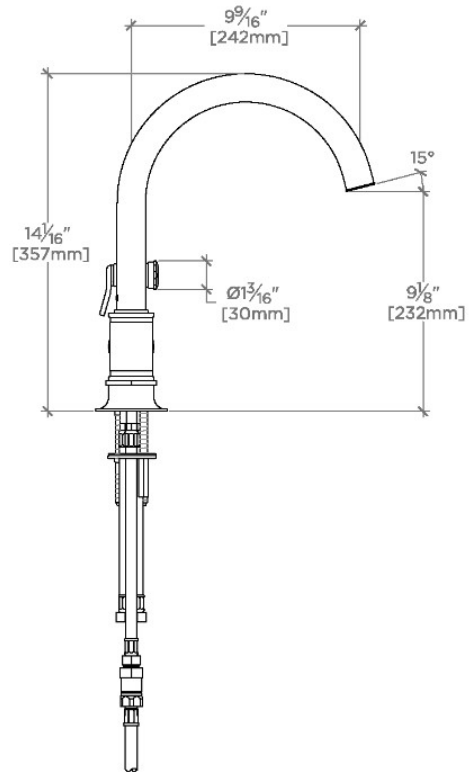


HANDLE OPERATION



FRONT VIEW

SCALE: 1/2"=1'-0"



SIDE VIEW

SCALE: 1/2"=1'-0"