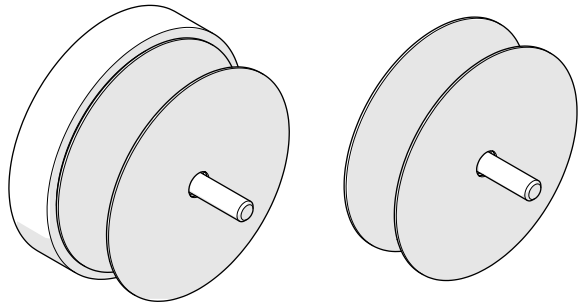


INSTALLATION GUIDELINES

UNIVERSAL SINGLE OR DOUBLE SIDED GLASS MOUNT ADAPTER



STYLES	
100600	100601

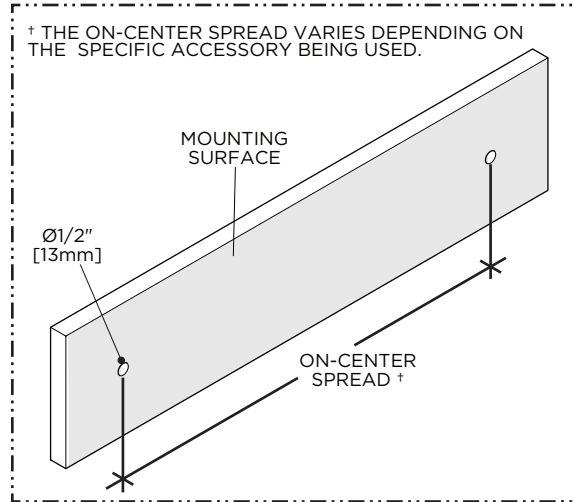
IMPORTANT:

- To ensure this product is installed properly, you must read and follow these guidelines.
- The owner/user of this product must keep this information for future reference.
- This product must be installed by a professional licensed contractor.
- This product can be installed on glass that ranges from 1/4" [6mm] - 7/8" [22mm] thickness using the hardware (or SET SCREWS) provided.

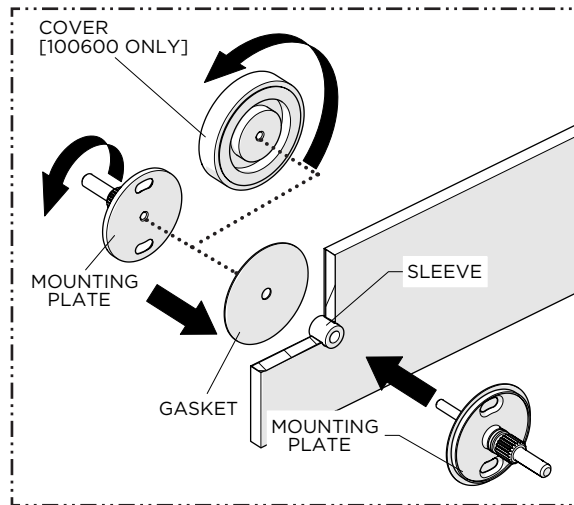
LENGTH:

SET SCREW	GLASS THICKNESS RANGE
25mm	1/4" [6mm] - 3/8" [10mm]
30mm	1/2" [13mm] - 5/8" [16mm]
35mm	3/4" [19mm] - 7/8" [22mm]

- This product requires a 1/2" [13mm] hole for proper installation. If using this product with a TOWEL BAR or SHELF, verify the on-center spread of the specific product being used **before** drilling the 1/2" [13mm] holes.
- To avoid damaging the product, do NOT use power tools during installation.
- If further assistance is required, please contact Product Support at 1-800-927-2120 Monday through Friday, 8am - 6pm EST.



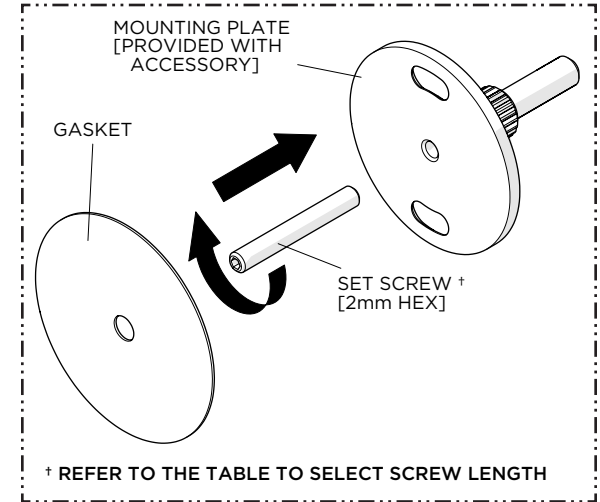
1. Ensure any pre-drilled hole is a 1/2" [13mm]. For ACCESSORIES with 2 mounting holes, ensure the holes are level and at the proper on-center spread.



3. Insert the SLEEVE into the pre-drilled hole, insert the SET SCREW through the SLEEVE, and slide the second GASKET onto the SCREW then thread the COVER, or second MOUNTING PLATE, onto the SCREW.

NOTE: Make sure to use the GASKETS provided to protect the mounting surface.

WATERWORKS



2. Thread the appropriate length SET SCREW into the MOUNTING PLATE then slide the GASKET over the SCREW.

NOTE: 3 different length SET SCREWS are provided.

FINISH THE INSTALLATION FOLLOWING THE GUIDELINES PROVIDED WITH THE ACCESSORY BEING USED.

WATERWORKS

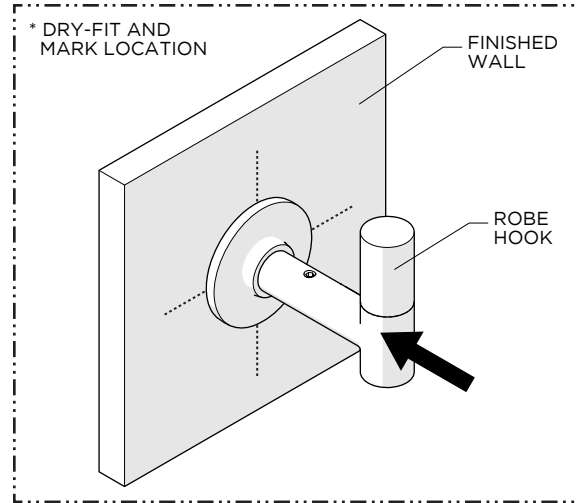
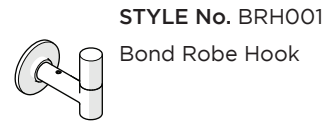
INSTALLATION GUIDELINES

IMPORTANT:

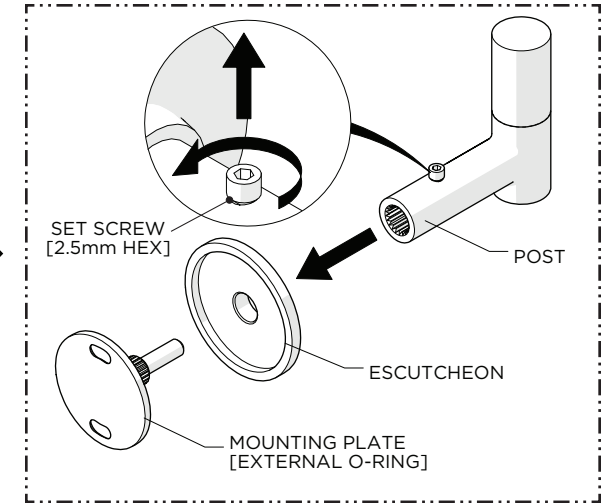
- To ensure this product is installed properly, you must read and follow these guidelines.
- The owner/user of this product must keep this information for future reference.
- This product must be installed by a professional licensed contractor. Inspect this product to ensure you have all the parts required for proper installation.
- **DRYWALL ANCHORS** for a typical drywall installation are provided. Do **NOT** use the ANCHORS if mounting directly onto wood blocking or a stud.
- If further assistance is required, please contact Product Support at 1-800-927-2120 Monday through Friday, 8am - 6pm EST.
- Refer to the separate Service Parts Documents for available replacement parts.

TECHNICAL DETAILS:

DETAIL	SPECIFICATION
PRIMARY MATERIAL	BRASS

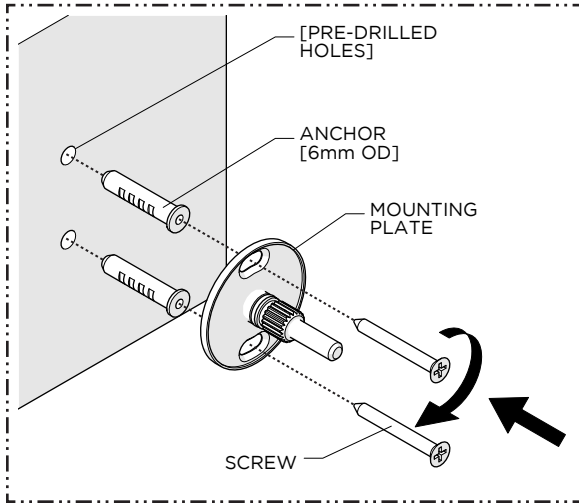


1. Dry-fit the ROBE HOOK, PAPER HOLDER, or TOWEL BAR to the finished wall and mark the ideal location.

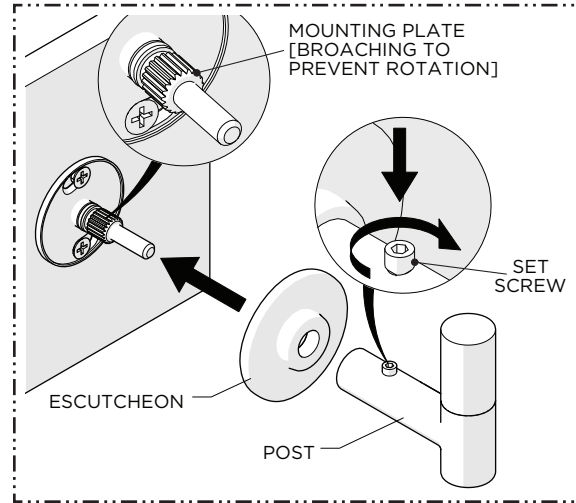


2. Loosen, but do **NOT** remove, the SET SCREW on the POST and remove the MOUNTING PLATE and ESCUTCHEON.

NOTE: Do **NOT** remove the O-RING on the MOUNTING PLATE.



3. Using the previous marks as a reference, install the MOUNTING PLATE using the ANCHORS, if necessary, and SCREWS provided.



4. Slide the ESCUTCHEON and POST onto the MOUNTING PLATE then thread and securely tighten the SET SCREW.

NOTE: The STEM on the MOUNTING PLATE is broached to prevent the POST from rotating.