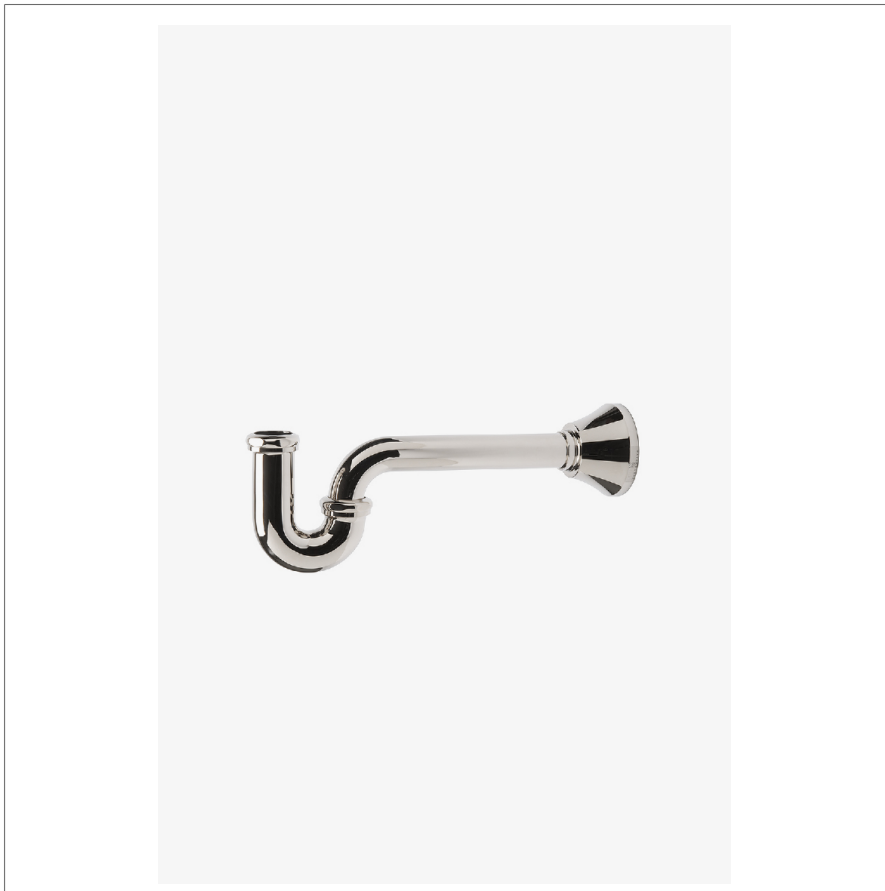


## UNIVERSAL

UNPT44

Universal Standard P-Trap 1 1/4" x 1 1/4"



SHOWN IN UNIVERSAL STANDARD P-TRAP 1 1/4" X 1 1/4" | UNPT44

### TECHNICAL DETAILS

ADA Compliance: When installed per ADA guidelines  
Depth/Width: 16 13/16"  
Escutcheon Primary Material: Brass  
Height: 6 1/8"  
Inlet Connection Size: 1 1/4"  
Inlet Connection Type: Compression  
Length: 3 3/8"  
Outlet Connection Size: 1 1/4"  
Outlet Connection Type: Compression  
Primary Material: Brass  
Suggested Application: Bath

### INSPIRATION

Our Universal collection features timeless designs complementing any of our Waterworks. With a wide range of product, from fittings to accessories, Universal adds exquisite proportion and balance to any environment.

### CODES & STANDARDS

Code # FDMS44: ASME A112.18.2, CSA B125, IAPMO, State of MA

### PRODUCT FEATURES

Complete the Waterworks aesthetic with a perfectly proportioned and timelessly elegant Universal p-trap

This item is stocked in Chrome, Nickel or Matte Nickel finishes and additional made-to-order finish options are available in 12 weeks from purchase

### CERTIFICATIONS

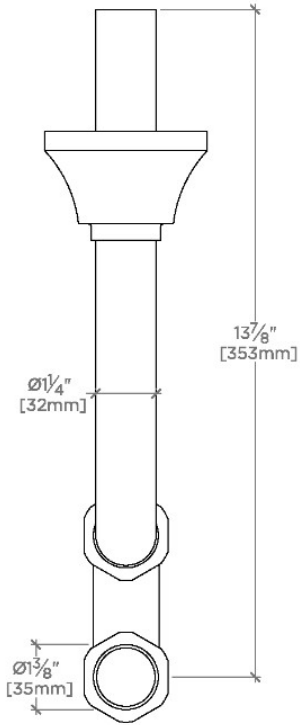


### PRODUCT (NOTES)

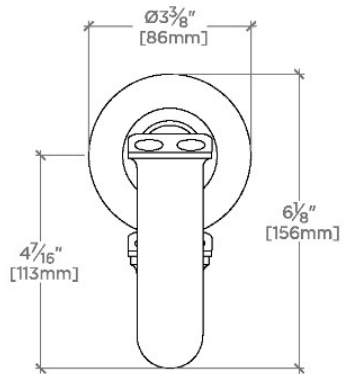
## UNIVERSAL

UNPT44

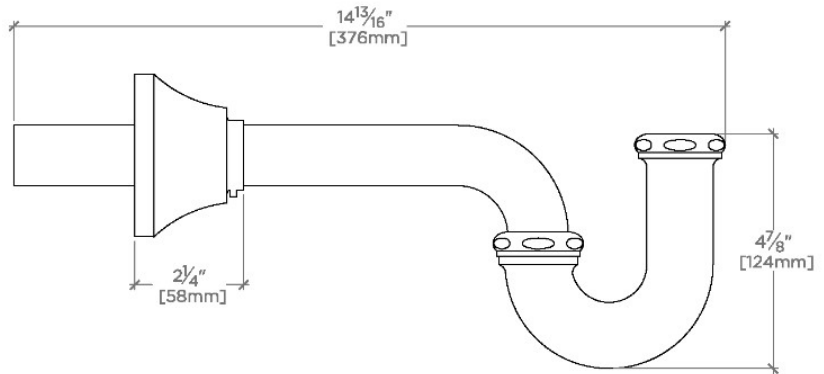
Universal Standard P-Trap 1 1/4" x 1 1/4"



TOP VIEW SCALE: 3"=1'-0"



FRONT VIEW SCALE: 3"=1'-0"



SIDE VIEW SCALE: 3"=1'-0"