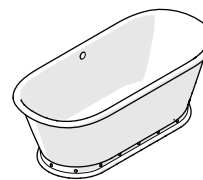


# INSTALLATION GUIDELINES



STYLE No. VOBT01

Voltaire 67" x 31" x 24" Freestanding Oval Cast Iron Bathtub

**IMPORTANT:**

- Installation of this product in a wet environment such as outdoors, steam rooms, or within showering stalls voids all Warranty.
- Immediately after receiving the BATHTUB and removal of packing, you **MUST** inspect the unit for freight damage. Any claims for damage, whether apparent or hidden, must be made to the carrier immediately in order for them to assume all associated costs. Should inspection reveal any defect in the finish, do not install the BATHTUB. Damage or defect to the finish claimed after the BATHTUB is installed is excluded from the warranty. The warranty **DOES NOT** cover labor or materials to remove or re-install the BATHTUB.
- To ensure this product is installed properly, you must read and follow these guidelines.
- The owner/user of this product must keep this information for future reference.
- **CAUTION:** This product is extremely heavy and adequate floor support is required. Ensure the product is properly supported by the base.
- This product must be installed by a professional licensed contractor. Be sure your installation conforms to all federal, state, and local codes.
- Inspect this product to assure it is the correct model and you have all parts required for proper installation. Take all the necessary precautions to ensure this product is protected during installation and do **NOT** install this product if it has been damaged.
- All final connections are made below the finished floor. Accessibility below the finished floor is highly recommended.
  - For installations where access from below the finished is limited, i.e. slabs, the SLIP JOINT GASKETS provided with the DRAIN (sold separately) are required. The GASKETS are designed to fit into the hub of a 1-1/2" schedule 40 ABS/PVC DWV fitting (not provided).
  - For Installations that have access from below the finished floor, TRAP ADAPTERS (not provided) can be used instead of the SLIP JOINT GASKETS.
- It is strongly advised that a bead of caulk be applied to seal the tub to the floor post installation. This will reduce the potential of water and humidity from being captured under the unit, preventing lacquer and material decay (rust, corrosion, etc.)
- The use of certain plumber's putty may stain stone or tile surfaces.
- **WARNING:** Use of harsh floor cleaners up to the exterior surface of the tub may strip the exterior lacquer protecting the finish. This will expose the cast iron to elements likely to produce rust.
- **WARNING:** The following basic safety precautions should always be followed when using your BATHTUB.

- Caution should always be exercised when entering or leaving the BATHTUB.
- **DANGER:** To reduce the risk of injury, do **NOT** permit children or persons with a disability to use the BATHTUB without close supervision.
- Keep all electrical appliances such as radios and hairdryers a safe distance from the BATHTUB.
- Do **NOT** use the BATHTUB when sleepy or drowsy, under the influence of alcohol or prescription medications or when overheated.
- If further assistance is required, please contact Product Support at 1-800-927-2120 Monday through Friday, 8am - 6pm EST.
- Refer to the separate Service Parts Documents for available replacement parts.

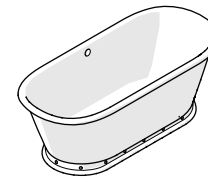
**TECHNICAL DETAILS:**

DETAIL		SPECIFICATION
Adjustable Levelers/Feet		No
Bathing Well Siting Angle		108°
Depth to Overflow		18-1/2" [470mm]
Drain Hole Diameter		2" [53mm]
Drilling Option		None
Overflow Hole Diameter		2" [53mm]
Single or Double Ended		Double Ended
Water Capacity		71 gal [270 liters]
Weight	Dry	500 lb [227 kg]
	Filled	1095 lb [497 kg]

**REQUIRED PLUMBING DETAILS:**

- Universal Drain Plug Waste and Overflow Drain  
STYLE No: UNWO10

# INSTALLATION GUIDELINES

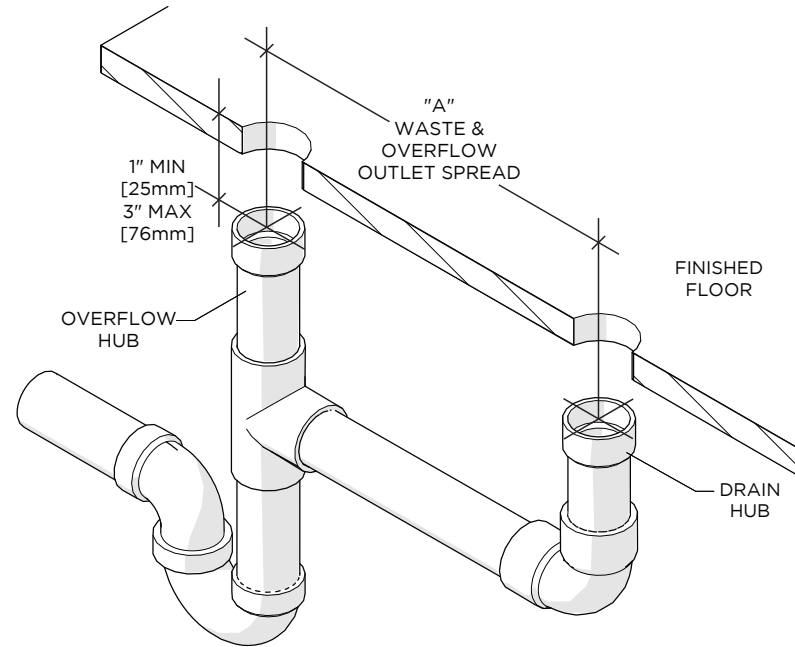


**STYLE No. VOBT01**  
 Voltaire 67" x 31" x 24" Freestanding Oval  
 Cast Iron Bathtub

**ROUGH-IN FOR SLIP JOINT GASKET INSTALLATION:**

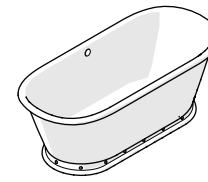
- Determine the placement of the BATHTUB and mark the floor at the center point of the waste and overflow openings then drill holes through the floor to accommodate the DRAIN.
- Rough-in a 1-1/2" DWV (not supplied) with an on-center spread of 13-5/8" [346mm]. In order for the TAILPIECE and OVERFLOW RISER to be securely installed.
- All DWV pipes and fittings must be well supported to eliminate the possibility of shifting and the top of the DRAIN HUBS must be between 1" [25mm] - 3" [76mm] from the finished floor.

DIMENSIONS	VALUE
A	13-5/8" [346mm]



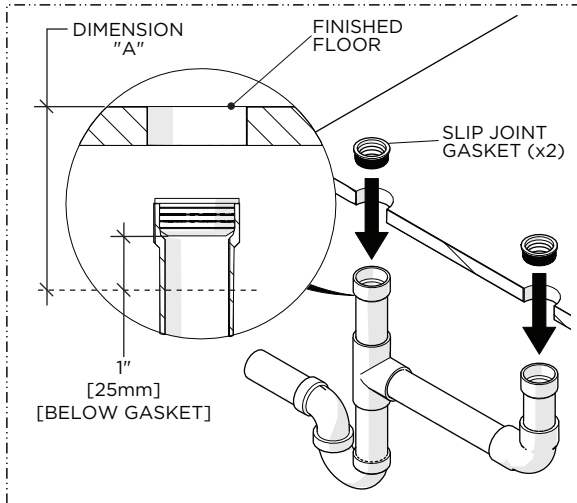
**[CAUTION: DRAWING NOT INTENDED FOR USE AS A PIPING SCHEMATIC]**

# INSTALLATION GUIDELINES



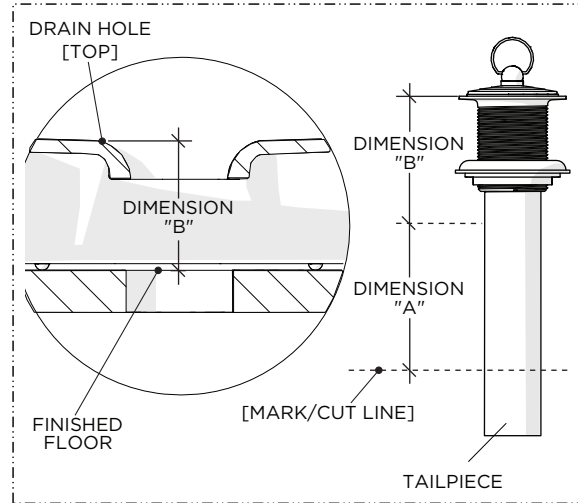
STYLE No. VOBT01

Voltaire 67" x 31" x 24" Freestanding Oval Cast Iron Bathtub

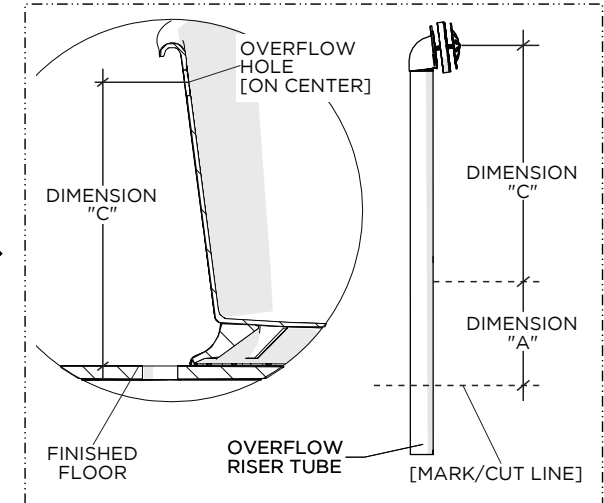


1. Insert the SLIP JOINT GASKETS (x2) into the HUBS then measure from the finished floor to 1" [25mm] below the bottom of the GASKETS.

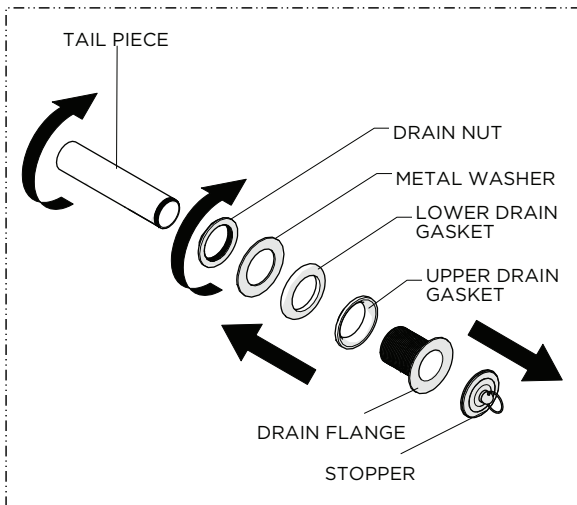
DIM A: \_\_\_\_\_



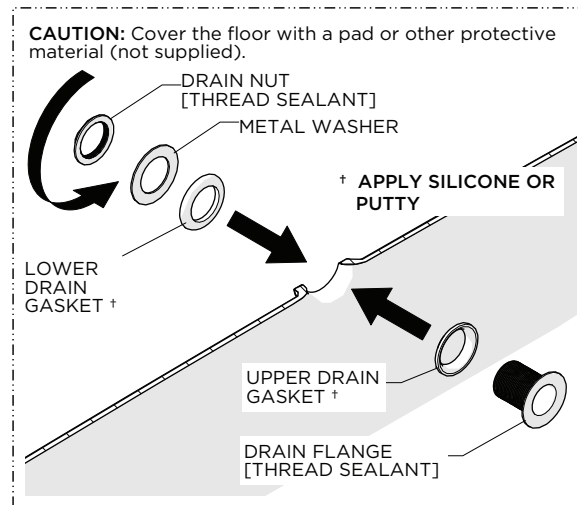
2. Measure (DIMENSION "B") from the top of the DRAIN HOLE [TOP] to the finished floor then, using the previous DIMENSION "A", mark and cut the DRAIN TAILPIECE.



3. Measure (DIMENSION "C") from the center of the OVERFLOW HOLE [ON CENTER] to the finished floor then, using the previous DIMENSION "A", mark and cut the OVERFLOW RISER TUBE.

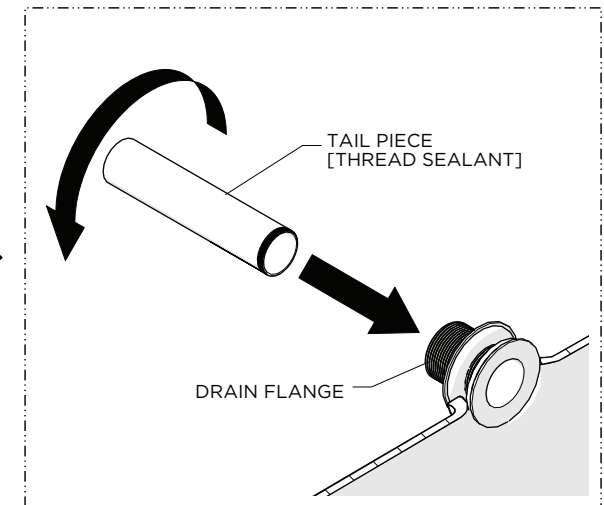


4. Remove the STOPPER, UPPER and LOWER DRAIN GASKETS, WASHERS, NUT and TAILPIECE from the DRAIN FLANGE.



5. With the BATHTUB on its side, apply a **generous** bead of silicone or putty to the UPPER and LOWER GASKETS and set the FLANGE then thread and securely tighten the NUT onto the FLANGE.

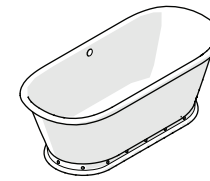
**NOTE:** Thread sealant is recommended and may be applied to the FLANGE threads.



6. Thread the TAILPIECE into the DRAIN FLANGE.

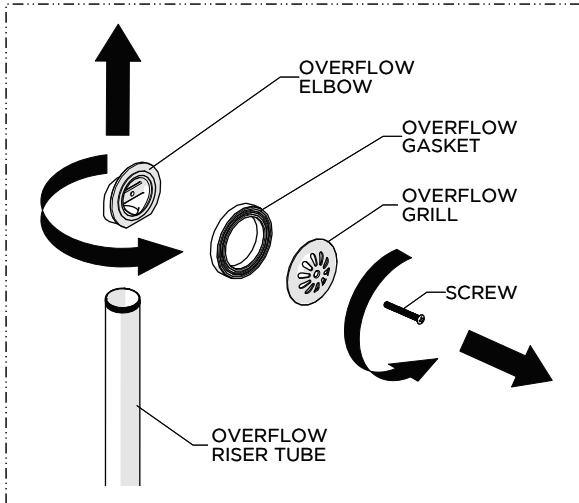
**NOTE:** Thread sealant is recommended and may be applied to the TAILPIECE threads.

INSTALLATION GUIDELINES

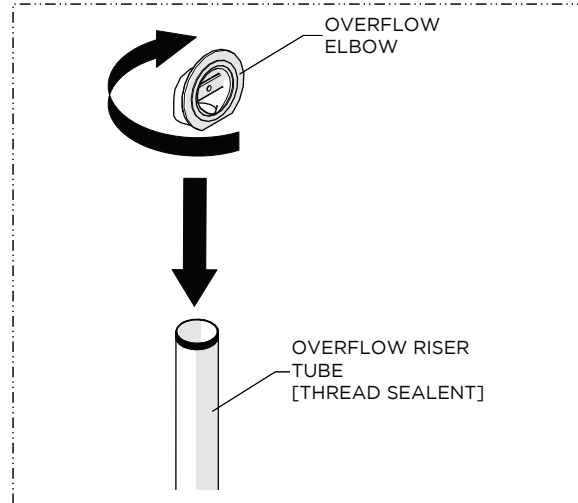


STYLE No. VOBT01

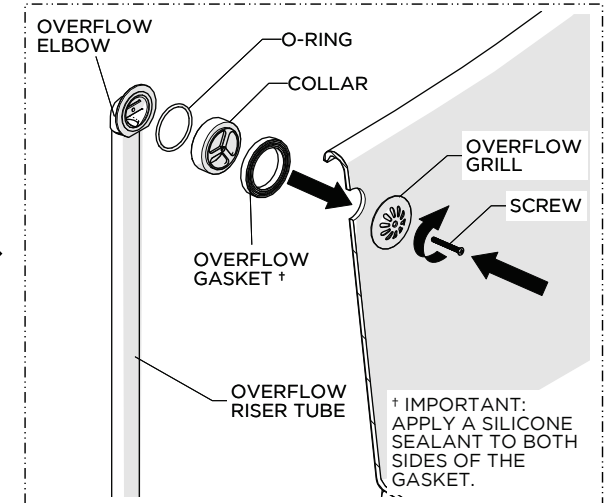
Voltaire 67" x 31" x 24" Freestanding Oval Cast Iron Bathtub



7. Unthread and remove the SCREW, OVERFLOW GRILL, and OVERFLOW GASKET. Remove OVERFLOW RISER PIPE from OVERFLOW ELBOW.

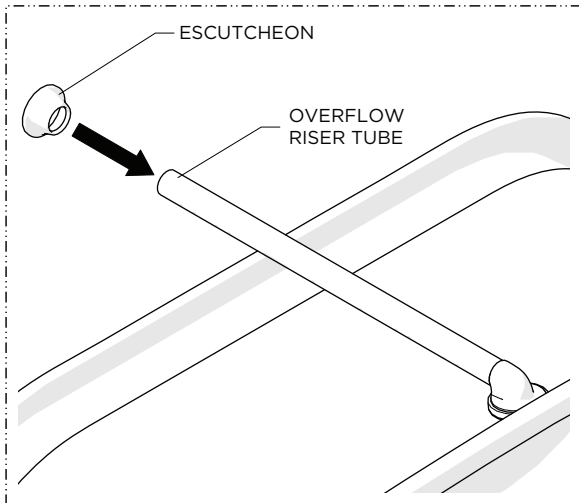


8. Apply thread sealant or pipe dope to the threads on the RISER TUBE then thread and securely tighten the ELBOW onto the TUBE.



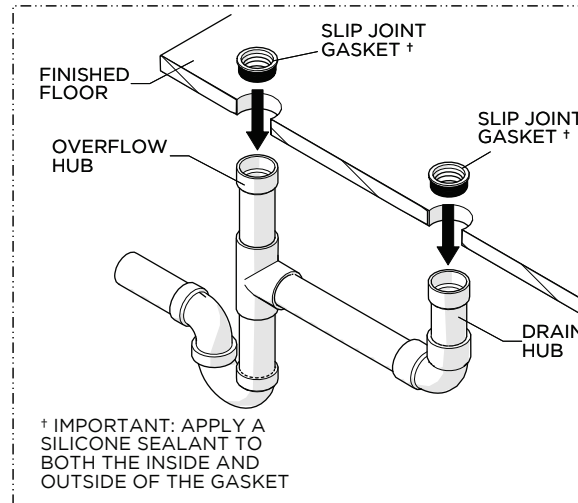
9. Apply a generous bead of silicone sealant to both sides of the OVERFLOW GASKET then assemble the OVERFLOW RISER TUBE to the BATHTUB and securely tightening the SCREW.

† IMPORTANT: APPLY A SILICONE SEALANT TO BOTH SIDES OF THE GASKET.



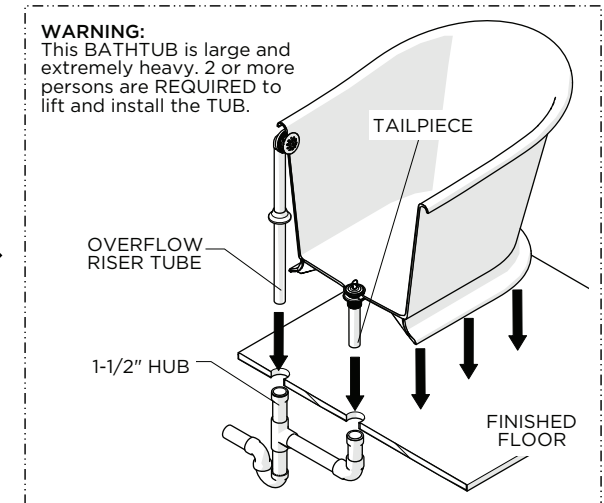
10. Slide the ESCUTCHEON onto the OVERFLOW RISER TUBE.

**NOTE:** If there is sufficient room around the BATHTUB, the OVERFLOW RISER TUBE may be installed after the BATHTUB has been set in place.



11. Apply a generous coating of a clear adhesive silicone sealant to both the **inside** and **outside** of the SLIP JOINT GASKETS and insert the GASKETS into the DRAIN HUBS.

**NOTE:** The silicone will act as a lubricant and as a seal when it cures.

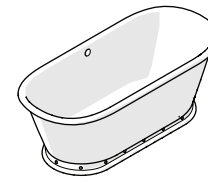


12. Position the BATHTUB and align the TAILPIECE and OVERFLOW RISER TUBE with the DRAIN HUBS then carefully lower the BATHTUB until it rests on the finished floor.

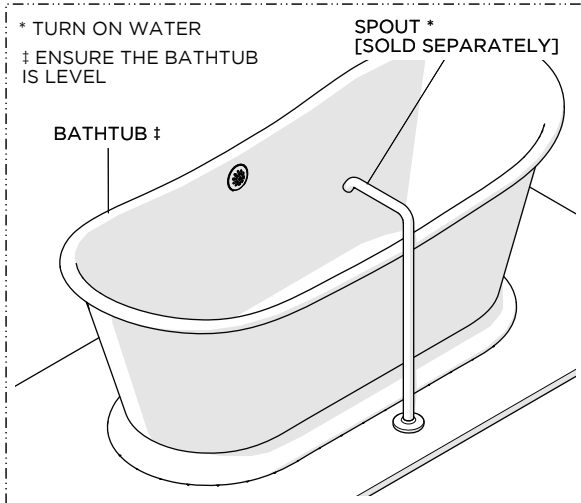
**NOTE:** Blocking can be used to help position and align the BATHTUB over the DRAIN HUBS.

# WATERWORKS

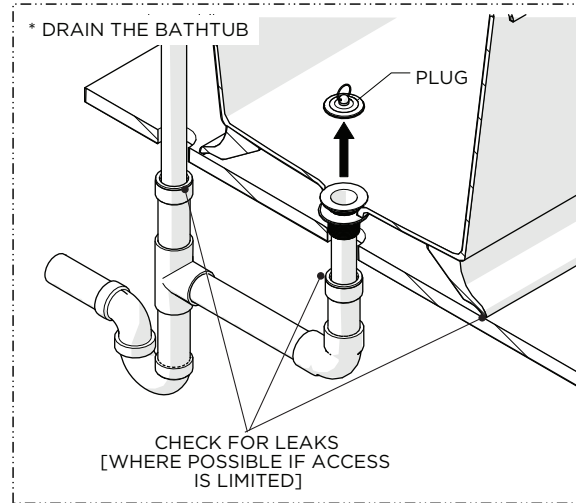
## INSTALLATION GUIDELINES



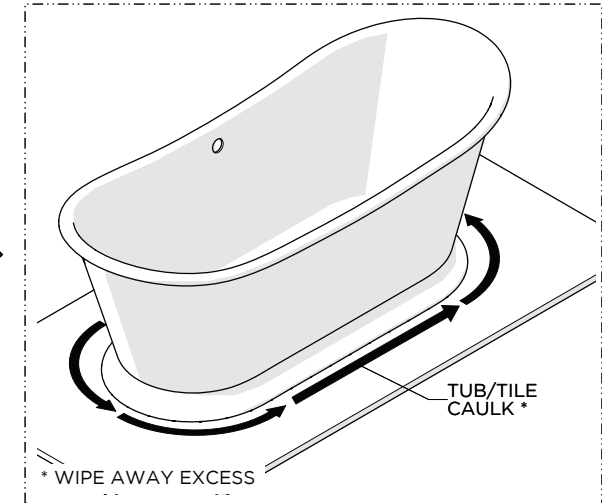
STYLE No. VOBT01  
Voltaire 67" x 31" x 24" Freestanding Oval Cast Iron Bathtub



13. Verify the BATHTUB is level and, if needed, add shims then fill the BATHTUB until water enters the overflow hole.

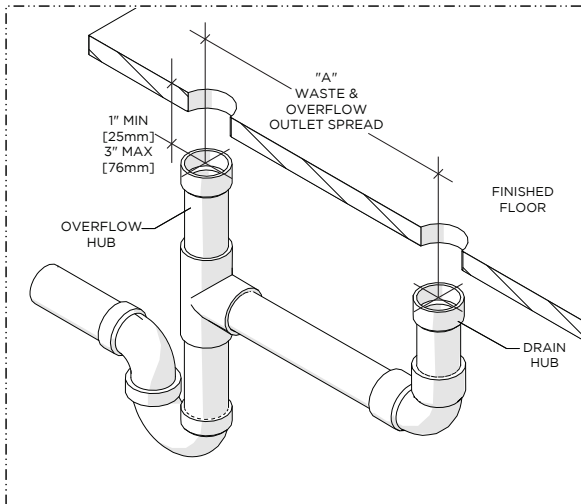


14. Drain the BATHTUB and inspecting all connections above and below the finished floor for leaks where possible if access is limited.

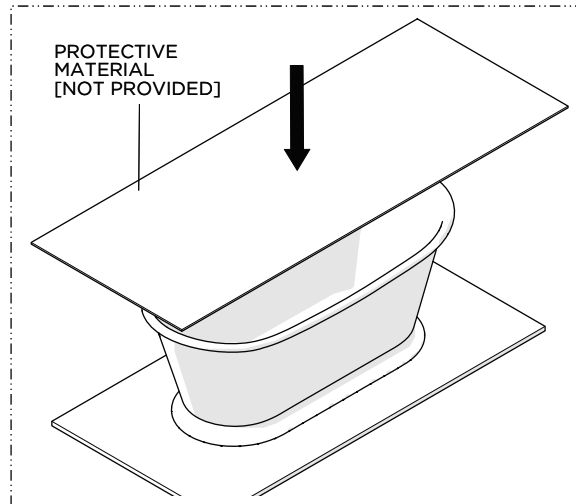


15. Run a bead of tub and tile caulk around the bottom edge of the BATHTUB where it meets the finished floor and wipe away any excess caulk with a wet paper towel.

**NOTE:** This will reduce the potential of water and humidity from being captured under the unit, preventing lacquer and material decay (rust, corrosion, etc.)



16. Slide the ESCUTCHEON down the OVERFLOW RISER TUBE until it contacts the finished floor.



17. Cover the BATHTUB surface with a liner or other protective material (not supplied) until construction is completed.