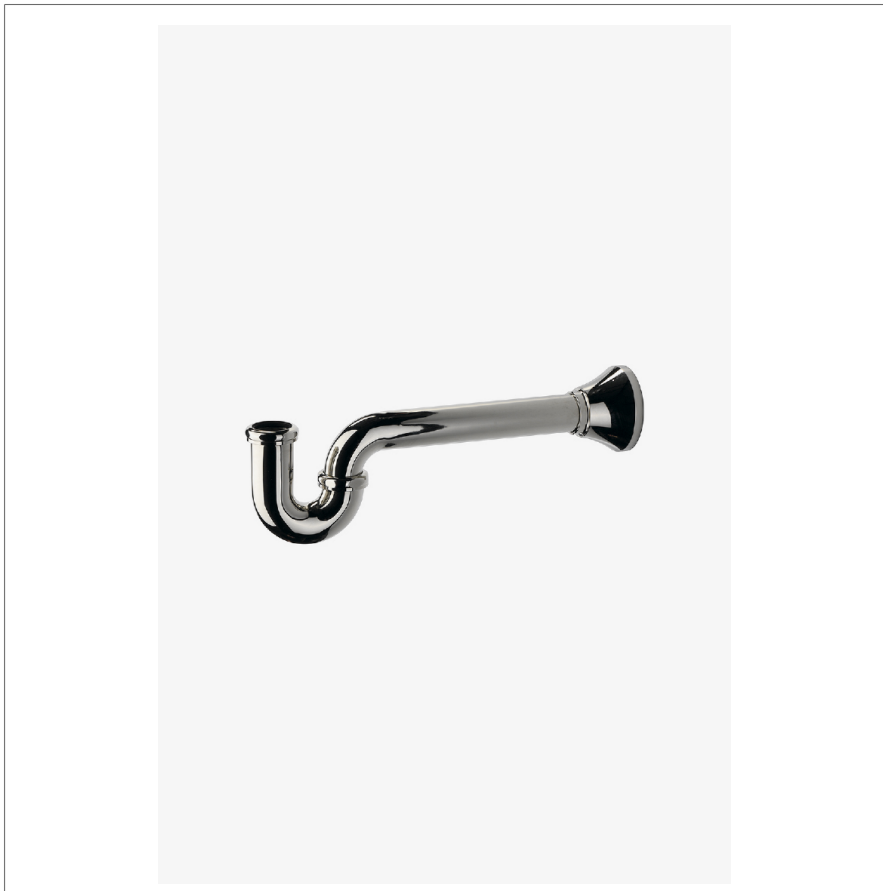


UNIVERSAL

UNPT45

Universal Standard P-Trap 1 1/2" x 1 1/2"



SHOWN IN UNIVERSAL STANDARD P-TRAP 1 1/2" X 1 1/2" | UNPT45

TECHNICAL DETAILS

ADA Compliance: When installed per ADA guidelines
Depth/Width: 16 13/16"
Escutcheon Primary Material: Brass
Height: 6 1/8"
Inlet Connection Size: 1 1/2"
Inlet Connection Type: Compression
Length: 3 3/8"
Outlet Connection Size: 1 1/2"
Outlet Connection Type: Compression
Primary Material: Brass
Suggested Application: Bath

INSPIRATION

Our Universal collection features timeless designs complementing any of our Waterworks. With a wide range of product, from fittings to accessories, Universal adds exquisite proportion and balance to any environment.

CODES & STANDARDS

Code # FDMS45: ASME A112.18.2, CSA B125, IAPMO

PRODUCT FEATURES

Complete the Waterworks aesthetic with a perfectly proportioned and timelessly elegant Universal p-trap

This item is stocked in Chrome, Nickel or Matte Nickel finishes and additional made-to-order finish options are available in 12 weeks from purchase

CERTIFICATIONS

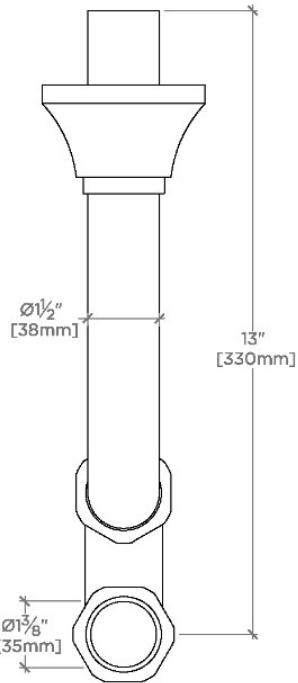


PRODUCT (NOTES)

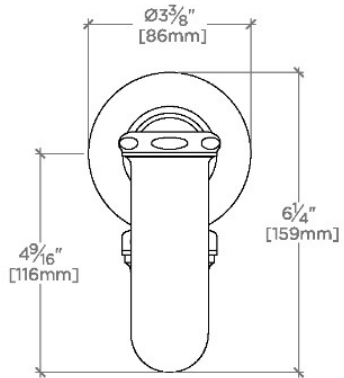
UNIVERSAL

UNPT45

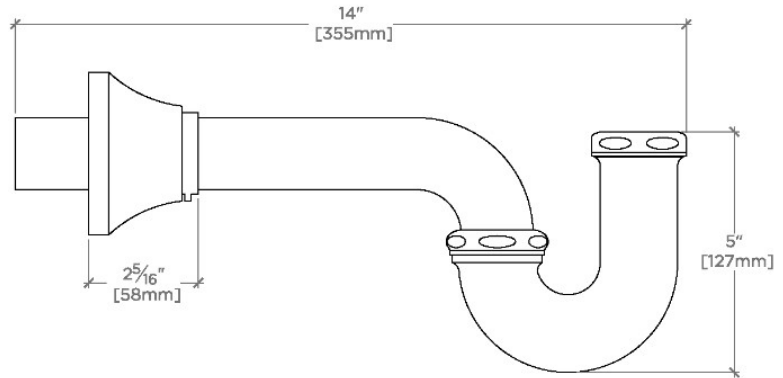
Universal Standard P-Trap 1 1/2" x 1 1/2"



TOP VIEW SCALE: 3"=1'-0"



FRONT VIEW SCALE: 3"=1'-0"



SIDE VIEW SCALE: 3"=1'-0"