

## Alta

ALVN12

Alta Double Vanity with Square Legs with SALV26 Sinks and Slab 67" x 22 1/2" x 34 1/2" with 4" x 3/4" Backsplash



SHOWN IN ALTA DOUBLE VANITY WITH SQUARE LEGS WITH SALV26 SINKS AND SLAB 67" X 22 1/2" X 34 1/2" WITH 4" X 3/4" BACKSPLASH | ALVN12

### TECHNICAL DETAILS

ADA Compliance: No  
Adjustable Levelers Feet: N  
Bowl Shape: Oval  
Depth To Overflow: 114 mm  
Drain Hole Depth: 44 mm  
Drain Hole Diameter: 44 mm  
Fittings Hole Depth: 32 mm  
Fittings Hole Diameter: 35 mm  
Overflow Opening: Yes  
Primary Material: Wood  
Sink Visibility: N

### INSPIRATION

Modern & minimalist. Alta incorporates mid-century elements with notable architectural & industrial influences.

### CODES & STANDARDS

### PRODUCT FEATURES

Designed by and exclusive to Waterworks

Vanity with three drawers; Hardware sold separately

Stocked in Clear Oak Finish

Includes Saxby sinks and choice of stocked stone tops in Carrara or Arabescato

Install with or without backsplash (included)

### CERTIFICATIONS

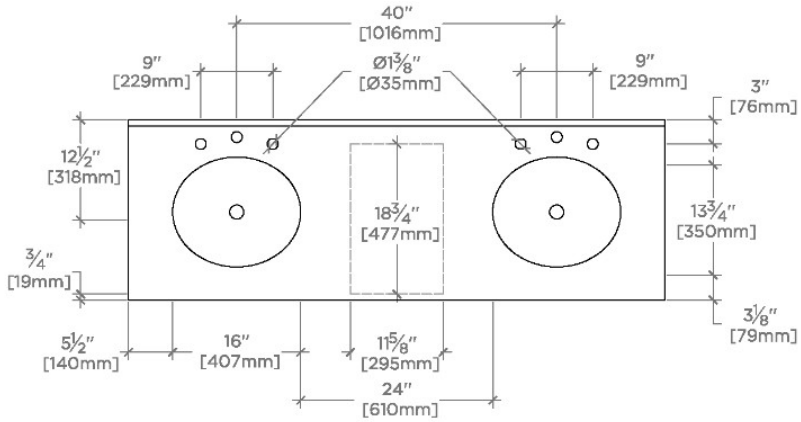
### PRODUCT (NOTES)

# WATERWORKS

## Alta

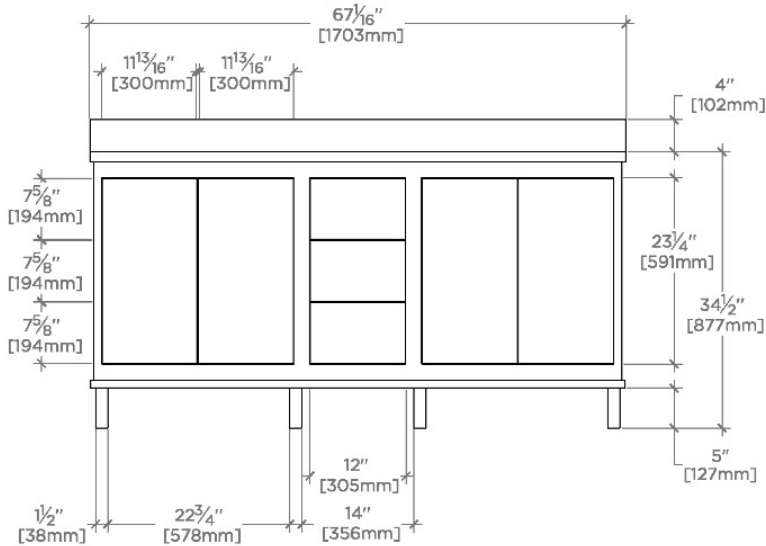
ALVN12

Alta Double Vanity with Square Legs with SALV26 Sinks and Slab 67" x 22 1/2" x 34 1/2" with 4" x 3/4" Backsplash



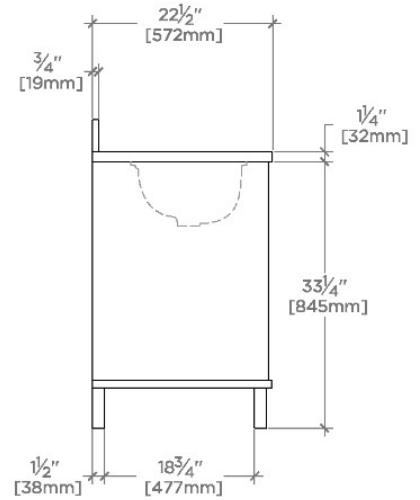
TOP VIEW

SCALE: 1/2"=1'-0"



FRONT VIEW

SCALE: 1/2"=1'-0"



SIDE VIEW

SCALE: 1/2"=1'-0"