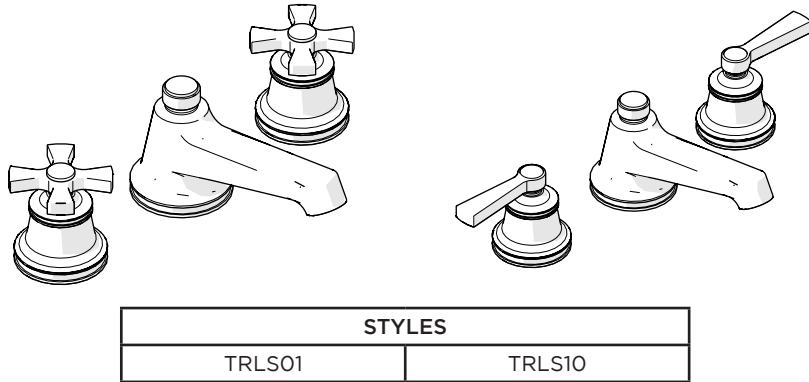


# INSTALLATION GUIDELINES

## DECK MOUNTED LAVATORY FAUCETS

### TRANSIT LAVATORY FAUCET WITH CROSS OR LEVER HANDLES

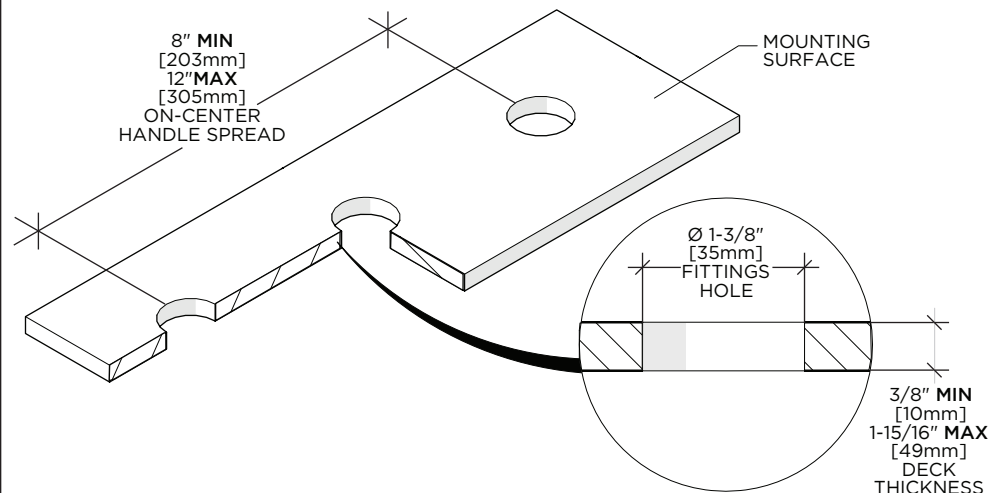


#### IMPORTANT:

- To ensure this product is installed properly, you must read and follow these guidelines.
- The owner/user of this product must keep this information for future reference.
- This product must be installed by a professional licensed contractor.
- Be sure your installation conforms to federal, state, and local codes. In the State of Massachusetts, all installations must comply with the rules and regulations set forth within 248 CMR.
- Inspect this product to ensure you have all the parts required for proper installation.
- Product is sold partially assembled but shown fully disassembled for illustrative and service purposes only.
- **CAUTION:** Use only a strap wrench or protected/smooth-jaw wrench on ANY finished surface.
- **CAUTION:** Flushing the SUPPLY VALVES (sold separately) prior to installing the LAVATORY FAUCET is recommended. Flushing can prevent damage to the CARTRIDGES and other internal components.
- The use of certain plumber's putty may stain stone or tile surfaces.
- If further assistance is required, please contact Product Support at 1-800-927-2120 Monday through Friday, 8am - 6pm EST.
- Refer to the separate Service Parts Documents for available replacement parts.

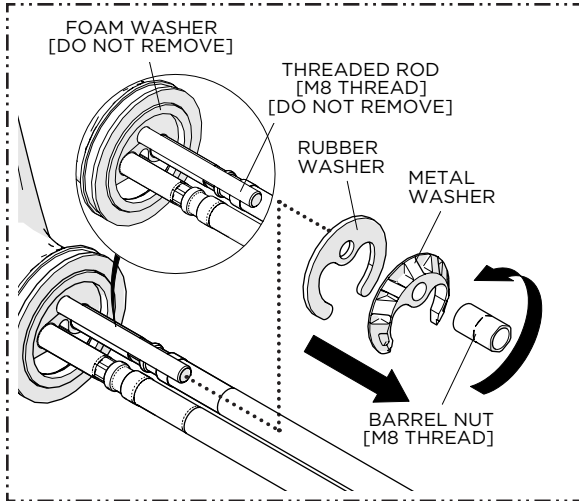
#### TECHNICAL DETAILS:

DETAIL	SPECIFICATION
DRAIN DEPTH MAXIMUM	2-1/4" [57mm]
DRAIN DEPTH MINIMUM	1-1/2" [38mm]
DRAIN HOLE DIAMETER	Ø1-1/2" [38mm]
DRAIN STYLE	POP-UP
HANDLE TURN ANGLE	QUARTER TURN
INLET CONNECTION	1/2" MALE WITH SUPPLY NUT
SPOUT REACH	5-7/16" [138mm]
WATER PRESSURE <b>MAXIMUM</b>	85psi [6.0 bar]
WATER PRESSURE <b>MINIMUM</b>	20psi [1.5 bar]
WATER PRESSURE <b>RECOMMENDED</b>	45psi [3.0 bar]



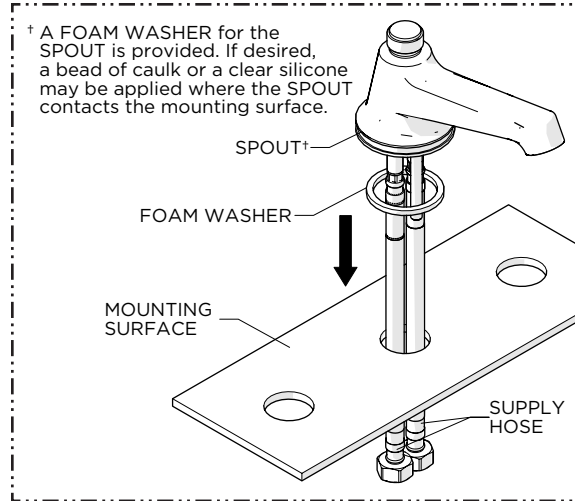
# INSTALLATION GUIDELINES

## DECK MOUNTED LAVATORY FAUCETS

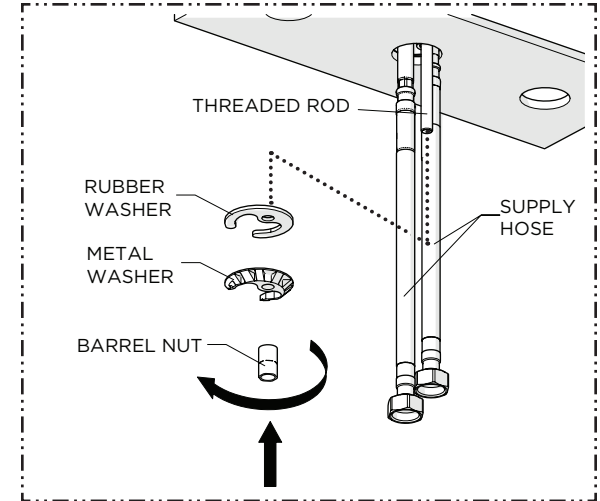


1. Remove the BARREL NUT, METAL WASHER, and RUBBER WASHER from the THREADED ROD.

**NOTE:** Do **NOT** remove the THREADED ROD or FOAM WASHER beneath the SPOUT.

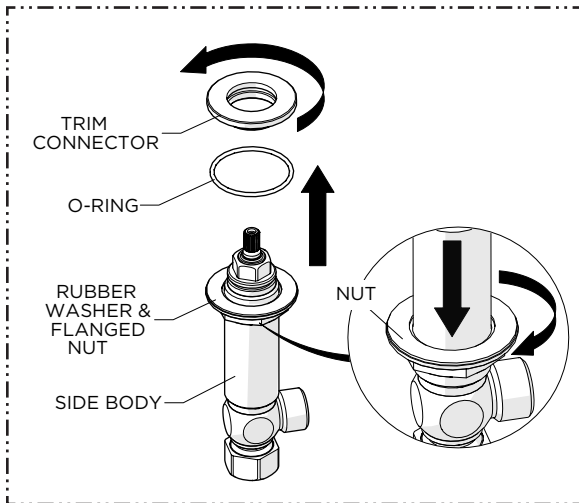


2. Insert the SUPPLY HOSES through the hole on the mounting surface making sure the FOAM WASHER provided is beneath the SPOUT.



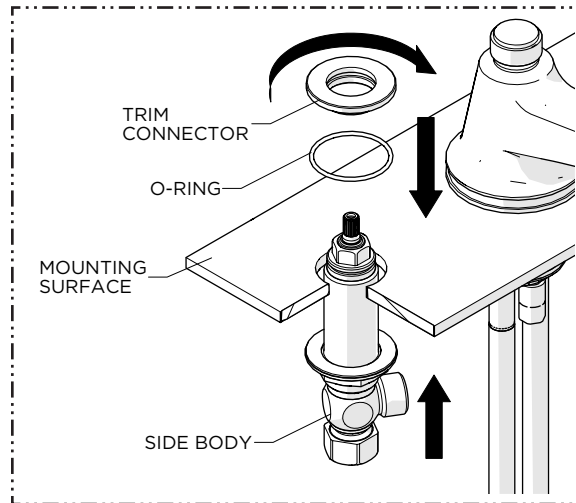
3. Slide the RUBBER and METAL WASHERS back onto the THREADED ROD then thread and securely tighten the BARREL NUT onto the ROD.

**NOTE:** Ensure the WASHERS fit properly around the ROD and HOSES.

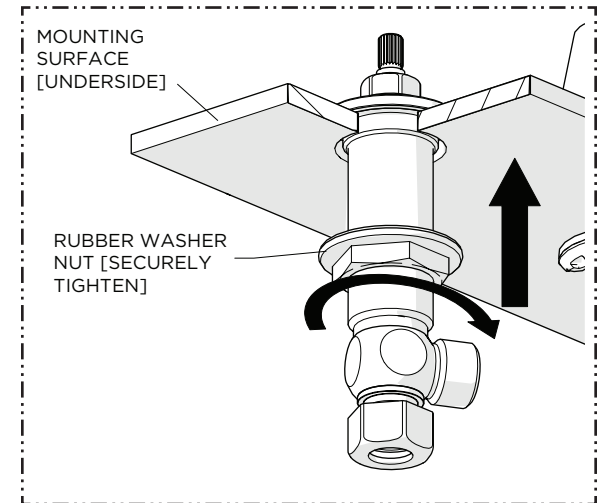


4. Unthread and remove the TRIM CONNECTOR from the SIDEBODY then fully thread the NUT down the SIDEBODY.

**NOTE:** Do **NOT** remove the RUBBER WASHER or discard the O-RING.



5. Using the O-RING provided, thread the TRIM CONNECTOR back onto the SIDEBODY until snug then let it rest on the mounting surface.

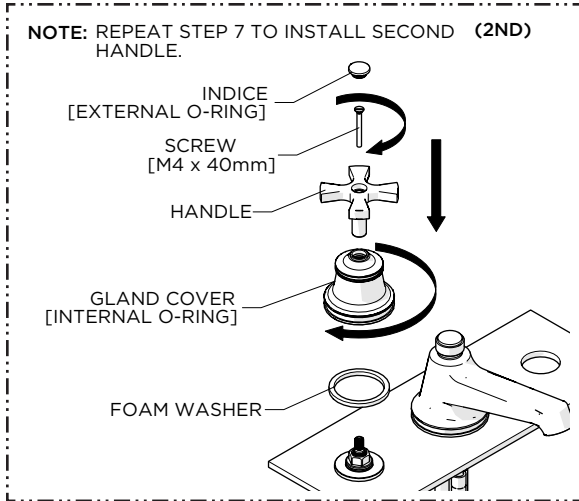


6. Ensure the SIDEBODY is positioned so the SUPPLY HOSE from the SPOUT can be easily connected then thread and securely tighten the NUT against the underside of the mounting surface.

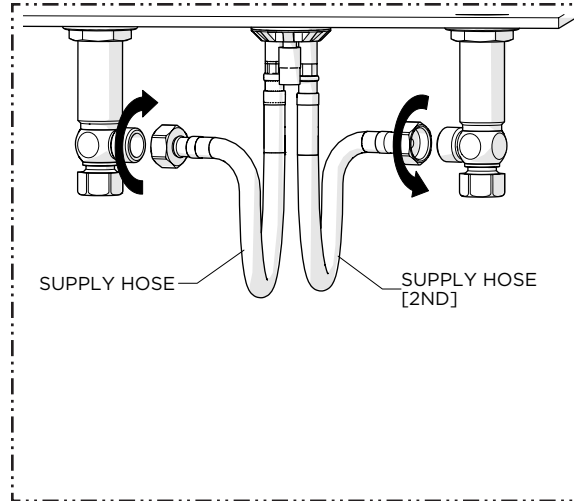
**NOTE:** Repeat steps 4 - 6 to install the **2ND** SIDEBODY.

# INSTALLATION GUIDELINES

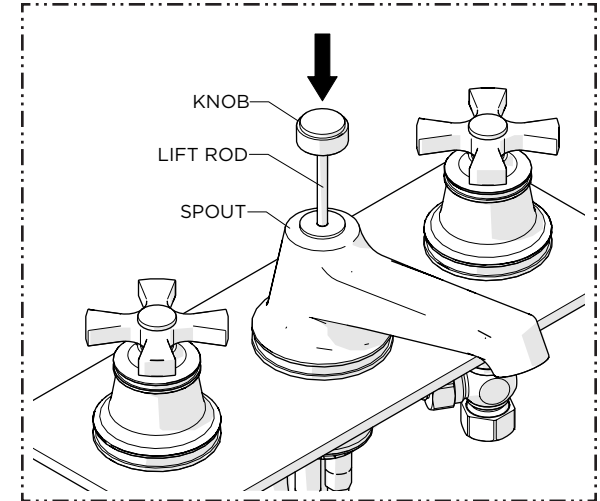
## DECK MOUNTED LAVATORY FAUCETS



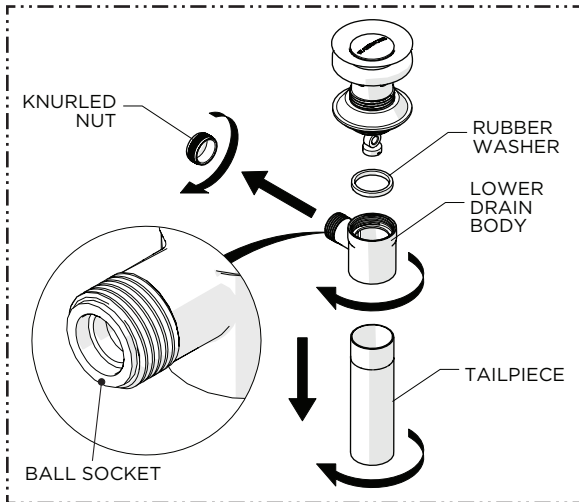
7. Thread the GLAND COVER along with the FOAM WASHER onto the CARTRIDGE until snug. Ensure the HANDLE is in the desired orientation then secure the position using the SCREW provided then cover the SCREW hole with the INDICE.



8. Connect the SUPPLY HOSE from the SPOUT to the SIDEBODIES. Securely tighten the HOSES and ensure they are not pinched/kinked.

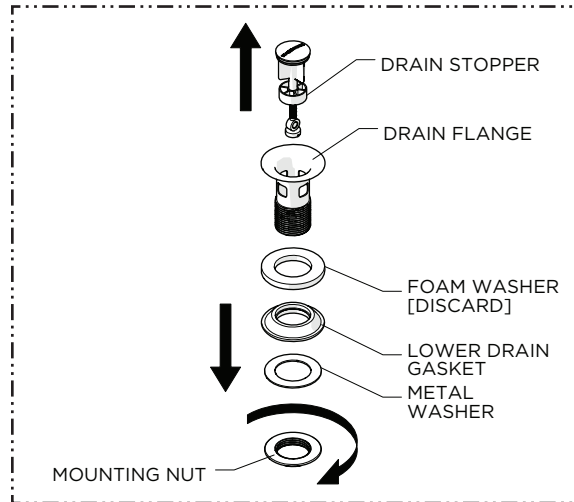


9. Insert the LIFT ROD into the top of the SPOUT.

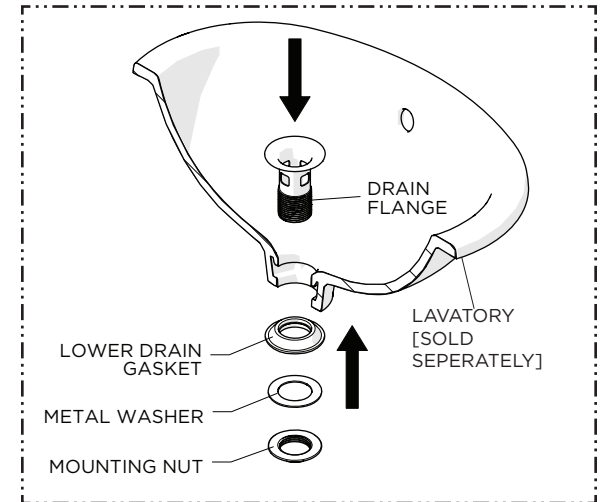


10. Remove the TAILPIECE and LOWER DRAIN BODY from the DRAIN FLANGE then remove the KNURLED NUT from the LOWER DRAIN BODY.

**NOTE:** Do NOT discard the BALL SOCKET or RUBBER WASHER.



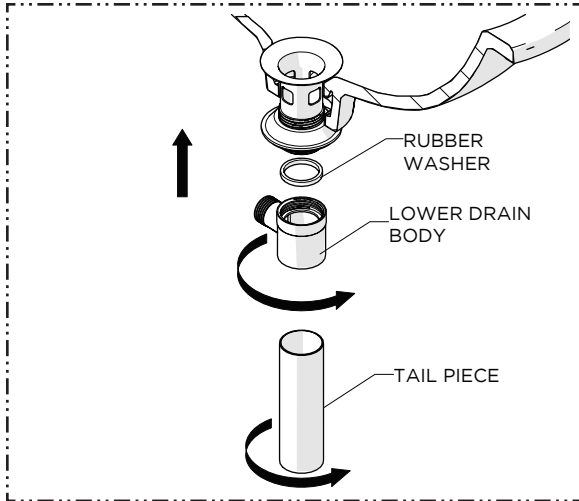
11. Remove the MOUNTING NUT, METAL WASHER, LOWER DRAIN GASKET and DRAIN STOPPER from the DRAIN FLANGE.



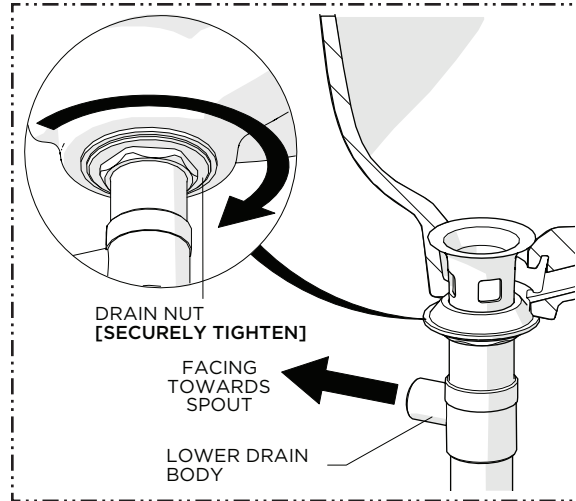
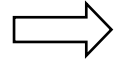
12. Set the DRAIN FLANGE into the LAVATORY (sold separately) using putty or a clear adhesive silicone. Re-attach the LOWER DRAIN GASKET and METAL WASHER then securely tighten the MOUNTING NUT.

# INSTALLATION GUIDELINES

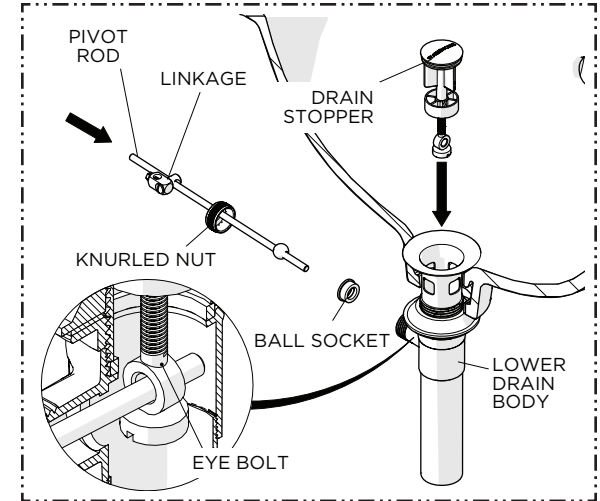
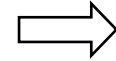
## DECK MOUNTED LAVATORY FAUCETS



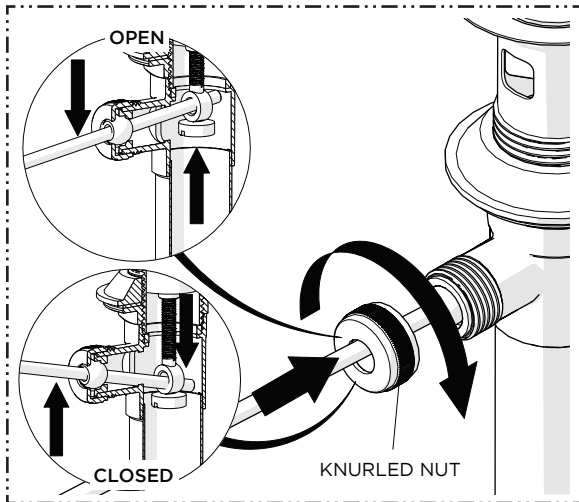
13. Using the RUBBER WASHER provided, thread the LOWER DRAIN BODY back onto the FLANGE then thread and securely tighten the TAILPIECE back into the LOWER DRAIN BODY.



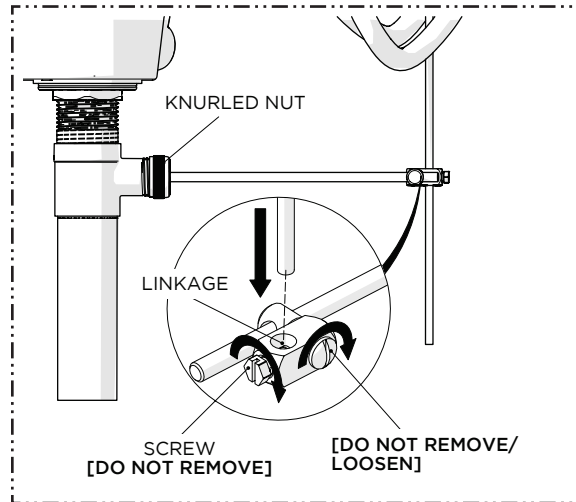
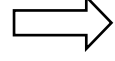
14. Ensure the LOWER DRAIN BODY is facing towards the SPOUT then securely tighten the DRAIN NUT making sure the GASKET makes a full seal on the underside of the LAVATORY.



15. Insert the STOPPER into the DRAIN FLANGE then insert the PIVOT ROD into the LOWER DRAIN BODY making sure the ROD passes through the EYEBOLT.

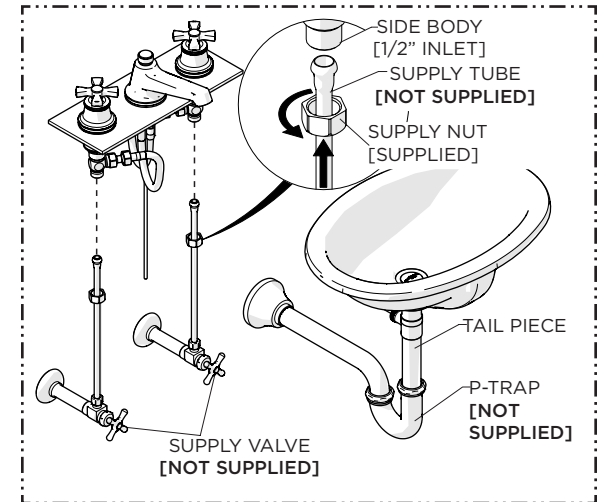
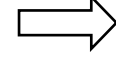


16. Ensure the PIVOT ROD opens and closes the DRAIN STOPPER properly, adjust the EYEBOLT if needed, then thread and securely tighten the KNURLED NUT.



17. Insert the LIFT ROD through the hole in the LINKAGE then securely tighten the SCREW.

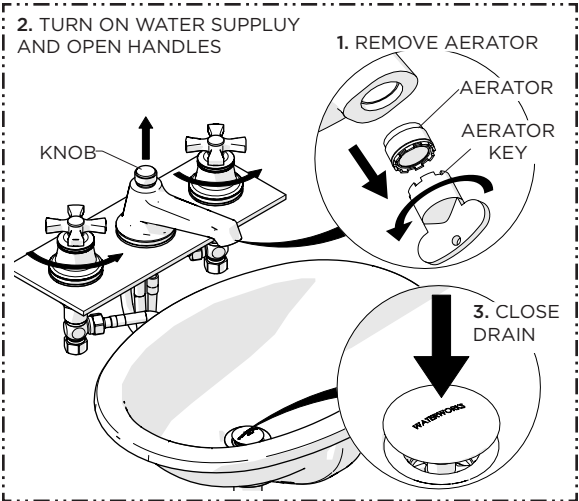
NOTE: Do NOT remove/loosen the SCREW on the adjacent side of the LINKAGE. Both RODS may be field cut.



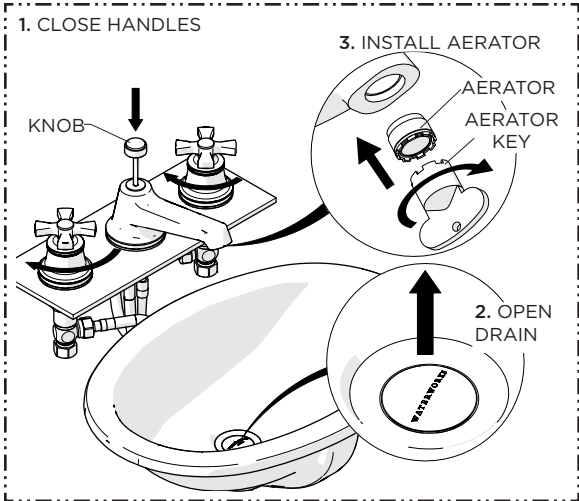
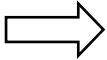
18. Make final P-TRAP (sold separately) and SUPPLY VALVE (sold separately) connections.

# INSTALLATION GUIDELINES

## DECK MOUNTED LAVATORY FAUCETS



19. Remove the AERATOR then turn on the water supply and open the HANDLES to flush out the supply lines. Inspect all connections for leaks then close the DRAIN using the LIFT ROD to ensure it functions properly.



20. Close the HANDLES, open the DRAIN to drain the water, and re-install the AERATOR.