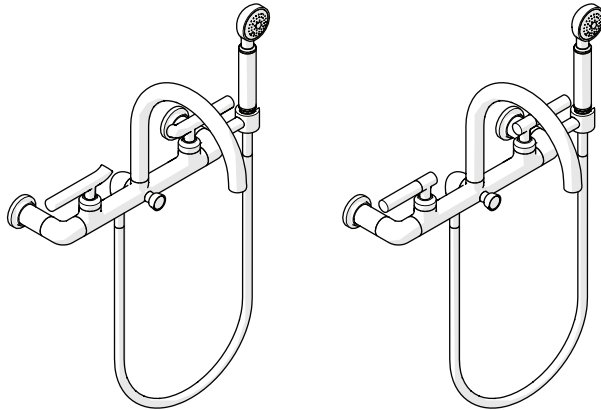


# INSTALLATION GUIDELINES

## WALL MOUNTED EXPOSED TUB FILLER WITH HANDSHOWER

### BOND WALL MOUNTED EXPOSED TUB FILLER WITH HANDSHOWER AND LEVER HANDLES



STYLES			
BXT160 [SHOWN]	BXT17A	BXT17B [SHOWN]	BXT17C
BXT17D	BXT17E	BXT17S	BXT190

#### IMPORTANT:

- To ensure this product is installed properly, you must read and follow these guidelines.
- The owner/user of this product must keep this information for future reference.
- This product must be installed by a professional licensed contractor and must be on-site prior to rough-in. This allows the installer to visualize the installation and verify the 12-1/2" [318mm] on-center inlet supply spread. The inlet supply spread on this product is **NOT** adjustable.
- Run 3/4" SUPPLY LINES for **MAXIMUM** flow and install ACCESSIBLE hot and cold service stop valves to facilitate servicing.
- Be sure your installation conforms to federal, state, and local codes.
  - Anti-scaled protection is the responsibility of the installer and according to applicable codes.
  - A water temperature limiting device is the responsibility of the installer and must be in accordance with ASSE 1070.
  - In the State of Massachusetts, all installations must comply with the rules and regulations set forth within 248 CMR.
- Check TUB measurements to ensure the SPOUT project far enough into the TUB.

- Inspect this product to ensure you have all the parts required for proper installation.
- Product is **sold partially** assembled but shown fully disassembled for illustrative and service purposes only.
- Use only a strap wrench or protected/smooth-jaw wrench on any finished surface.
- The use of certain plumber's putty may stain stone or tile surfaces.
- If further assistance is required, please contact Product Support at 1-800-927-2120 Monday through Friday, 8am - 6pm EST.

#### TECHNICAL DETAILS:

DETAIL	SPECIFICATION
DIAMETER OF HANDSHOWER HEAD	Ø2-1/8" [54mm]
FITTINGS HOLE DIAMETER	Ø1-3/8" [35mm]
HANDLE TURN ANGLE	QUARTER TURN
HOSE LENGTH	59" [1.5m]
INLET CONNECTION	3/4" MALE NPT †
INLET SUPPLY SPREAD	12-1/2" [318mm] <b>[NOT ADJUSTABLE]</b>
INTEGRATED DIVERTER	YES
SPOUT REACH	11-5/16" [288mm]
WATER PRESSURE [MAXIMUM]	85psi [6.0 bar]
WATER PRESSURE [MINIMUM]	20psi [1.5 bar]
WATER PRESSURE RECOMMENDED	45psi [3.0 bar]

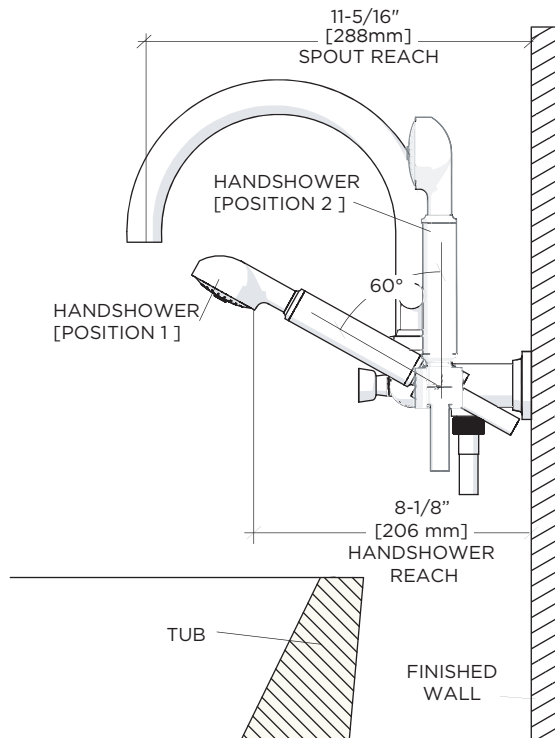
† For **INTERNATIONAL USE ONLY**, 3/4" BSPP MALE x M28 MALE ADAPTERS are provided.

# INSTALLATION GUIDELINES

## WALL MOUNTED EXPOSED TUB FILLER WITH HANDSHOWER

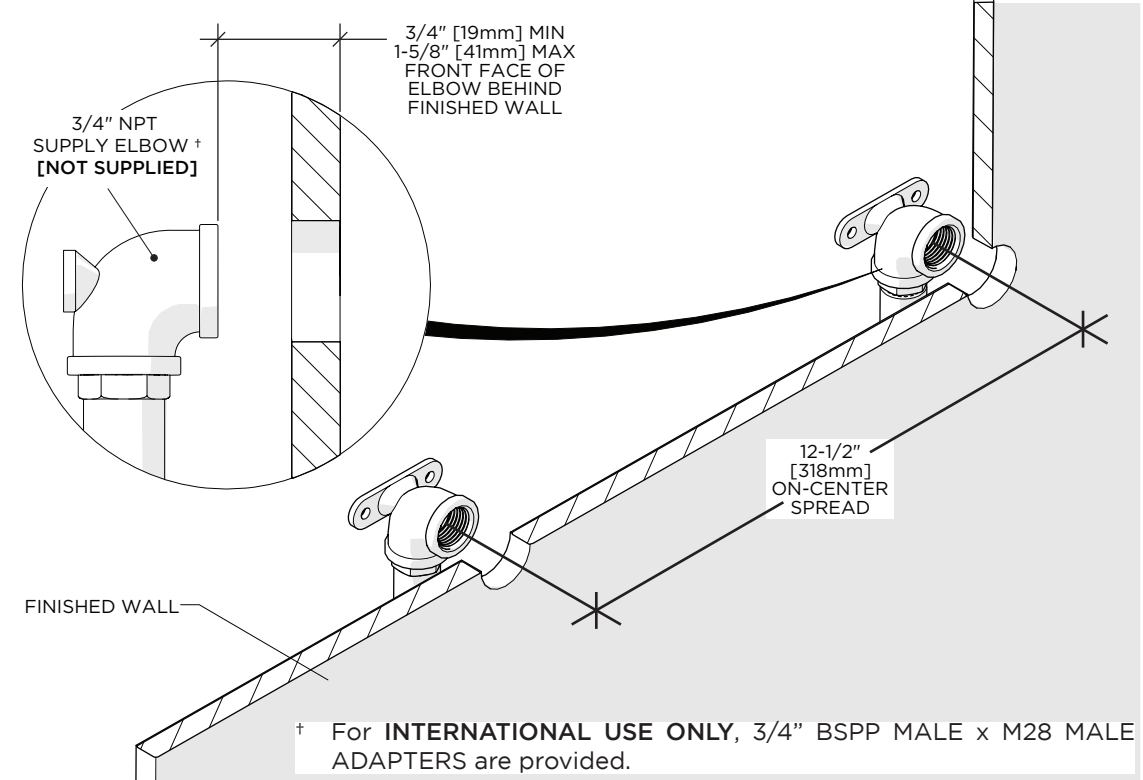
### RECOMMENDED INSTALLATION:

- This product has an adjustable HANDSHOWER HOOK which can be installed in 2 positions.
  - POSITION 1 which holds the HANDSHOWER at a 60° angle.
  - POSITION 2 which holds the HANDSHOWER in the completely vertical position.
- The HANDSHOWER HOOK is **NOT** pre-installed and is packaged separately to allow the installer to select the desired position.
- Consider the user's aesthetic preference and installation conditions when installing the HANDSHOWER HOOK. It is **HIGHLY RECOMMENDED** that the HANDSHOWER is set to POSITION 1 and the TUB's inner edge is within the HANDSHOWER REACH in order to minimize the dripping associated with common use.



### ROUGH-IN:

- **WARNING:** The inlet supply spread of this product is **NOT ADJUSTABLE!** If the rough-in is **NOT** accurate it will make the installation difficult or impossible.
- Run well supported 3/4" hot and cold copper SUPPLY LINES for **MAXIMUM** water flow and rough-in 3/4" NPT SUPPLY ELBOWS † (**not supplied**) making sure the ELBOWS are:
  - Securely anchored/strapped,
  - Level,
  - Perpendicular to finished wall,
  - Parallel to each other,
  - At the proper spread of 12-1/2" [318mm],
  - At the appropriate and equal depths.

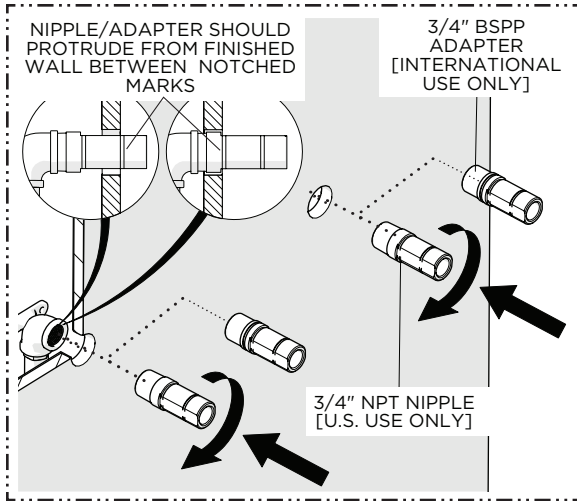


- † For **INTERNATIONAL USE ONLY**, 3/4" BSPP MALE x M28 MALE ADAPTERS are provided.
1. Verify the 12-1/2" [318mm] inlet supply spread.
  2. Verify the depth of the ELBOWS (**not supplied**) making sure the front face is between 3/4" [19mm] **MINIMUM** and 1-5/8" [41mm] **MAXIMUM**.
  3. PROCEED TO THE TUB FILLER INSTALLATION SECTION.

# INSTALLATION GUIDELINES

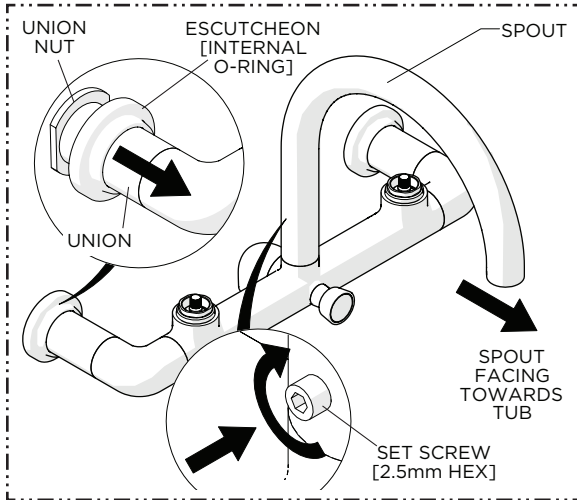
## WALL MOUNTED EXPOSED TUB FILLER WITH HANDSHOWER

WATERWORKS

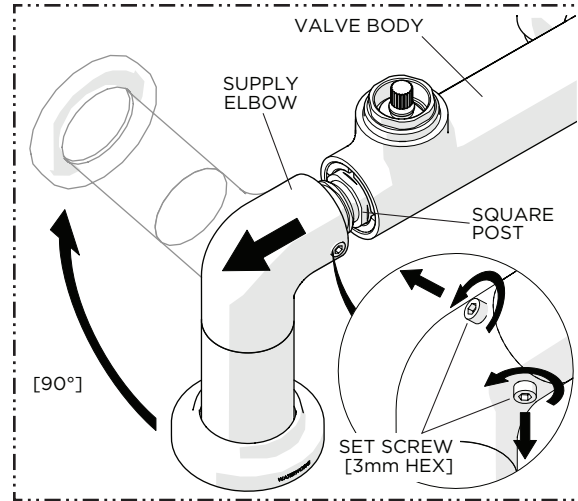


1. Thread and securely tighten the 3/4" NPT NIPPLES into the SUPPLY ELBOWS. When installed correctly, the NIPPLES should protrude from the finished wall between the **notched marks**.

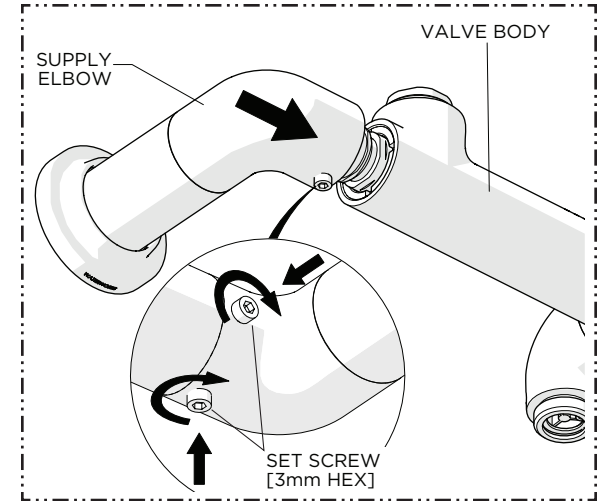
**NOTE:** For INTERNATIONAL USE ONLY, 3/4" BSPP MALE x M28 ADAPTERS are provided.



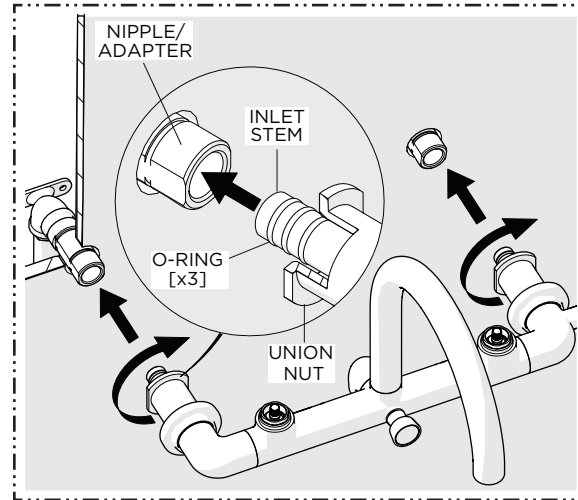
4. Align the SPOUT properly and securely tighten the SET SCREW at the base of the SPOUT then slide the ESCUTCHEONS down the UNIONS to expose the UNION NUTS.



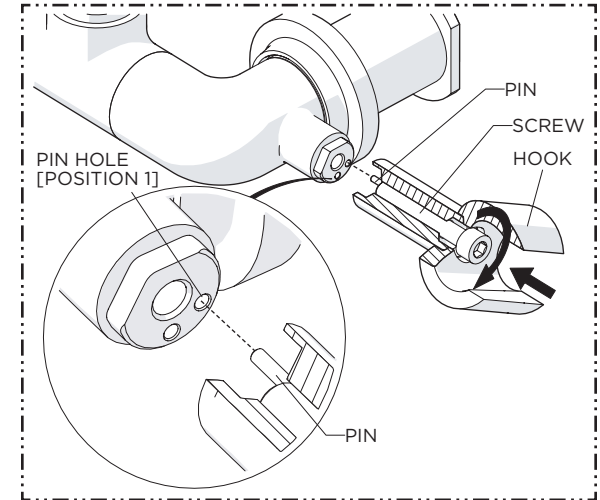
2. Loosen, but do **NOT** remove, the SET SCREWS on the SUPPLY ELBOW then pull the ELBOW past the SQUARE POST and rotate the ELBOW 90° into the wall mounted position.



3. Push the ELBOW back over the SQUARE POST until it contacts the VALVE BODY then securely tighten the SET SCREWS.
- **REPEAT THE PREVIOUS STEPS TO POSITION THE 2nd ELBOW.**



5. Insert the INLET STEMS into the NIPPLES/ADAPTERS and **EVENLY** thread the UNION NUTS onto the NIPPLES/ADAPTERS until they contact the finished wall.

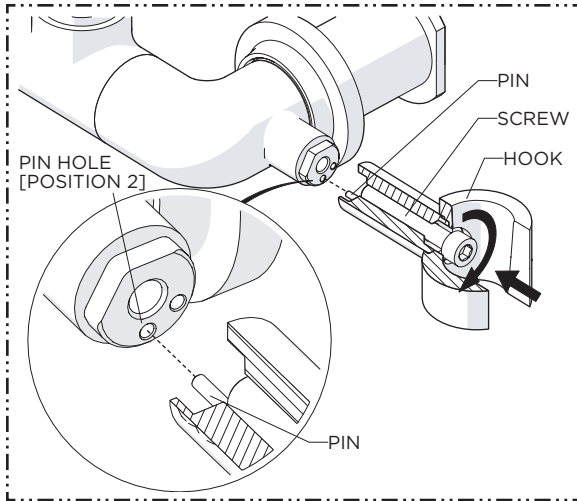


**HOOK POSITION 1 [RECOMMENDED]:**

6. Place the HOOK on the POST making sure to properly align the PIN with the PIN HOLE [POSITION 1] and use the SCREW provided to fasten the HOOK in place.

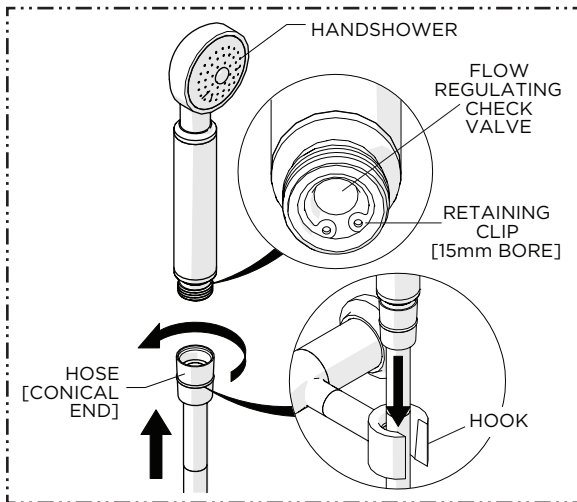
# INSTALLATION GUIDELINES

## WALL MOUNTED EXPOSED TUB FILLER WITH HANDSHOWER



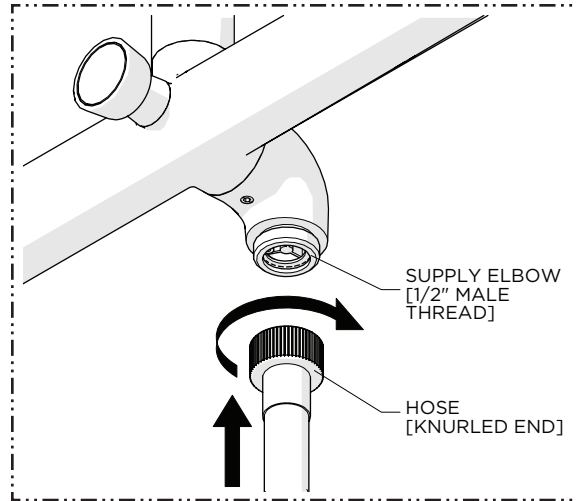
### HOOK POSITION 2:

- Place the HOOK on the POST making sure to properly align the PIN with the PIN HOLE [POSITION 2] and use the SCREW provided to fasten the HOOK in place.



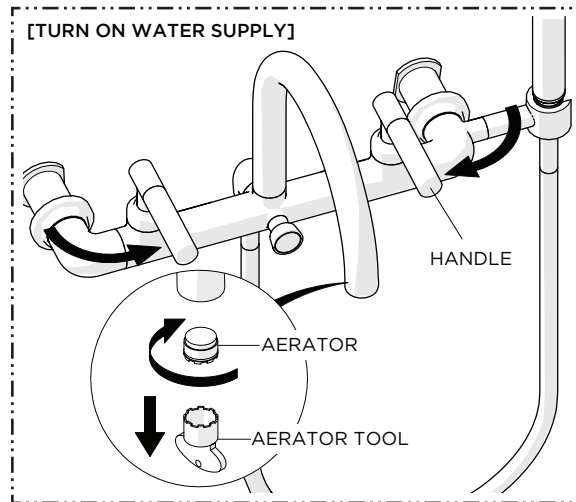
- Thread the conical end of the HOSE to the HANDSHOWER then rest the HANDSHOWER on the HOOK.

**NOTE:** A FLOW REGULATING CHECK VALVE is located inside the inlet of the HANDSHOWER.



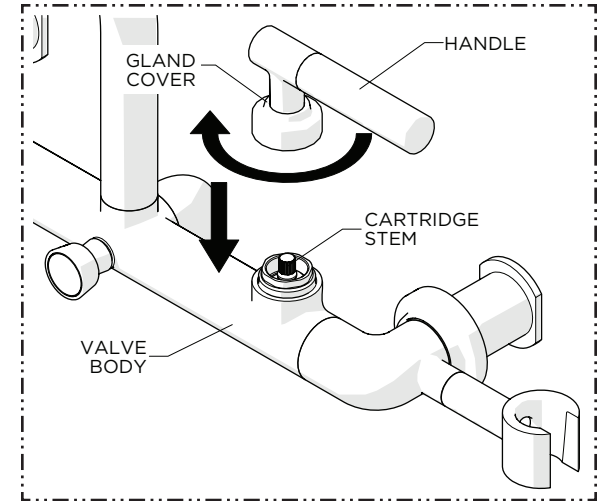
- Thread the KNURLED END of the HOSE to the SUPPLY ELBOW on the VALVE BODY.

**NOTE:** A CHECK VALVE is located inside the outlet of the ELBOW.



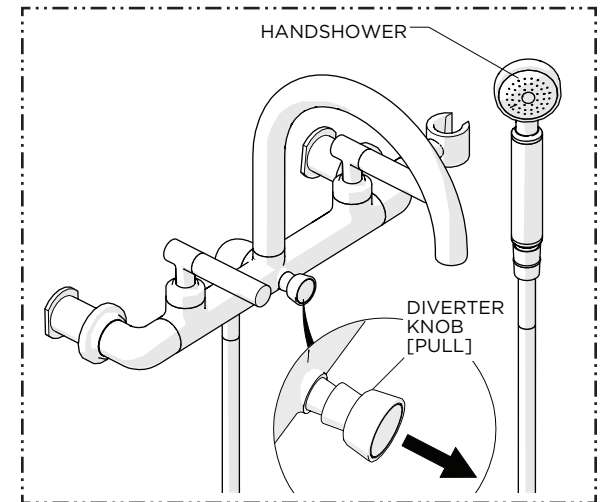
- Remove the AERATOR using the TOOL provided then turn on the water supply and operate the HANDLES to flush out the SUPPLY LINES and check all connections for leaks.

**NOTE:** Ensure the SUPPLY LINES have been flushed before operating the DIVERTER KNOB.



- With the HANDLE in the desired position, place it over the CARTRIDGE STEM then thread the GLAND COVER onto the VALVE BODY.

➤ REPEAT THIS STEP TO INSTALL THE 2ND HANDLE.

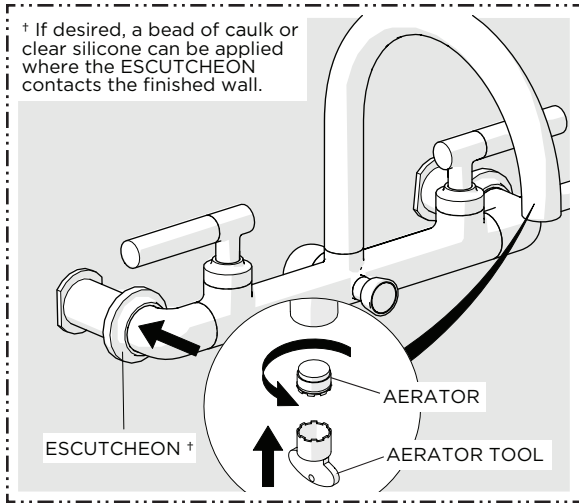


- With water running, operate the DIVERTER KNOB to ensure it and the HANDSHOWER function properly then turn off the water.

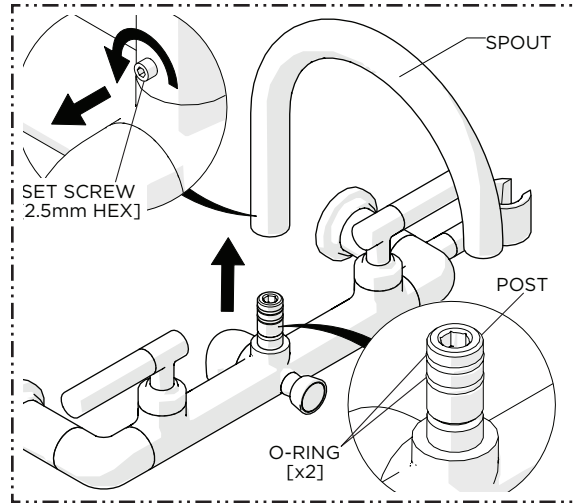
# INSTALLATION GUIDELINES

## WALL MOUNTED EXPOSED TUB FILLER WITH HANDSHOWER

# WATERWORKS

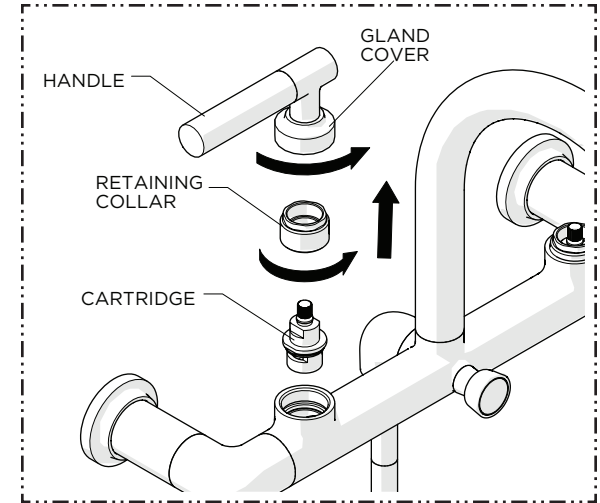


13. Re-install the AERATOR then slide the ESCUTCHEON down the UNIONS until they contact the finished wall.



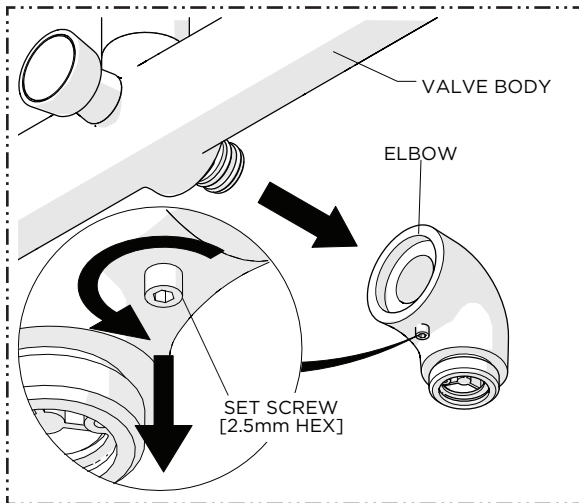
### SERVICING THE SPOUT:

1. Loosen, but do **NOT** remove, the SET SCREW at the base of the SPOUT then remove the SPOUT to expose the POST and external O-RINGS.



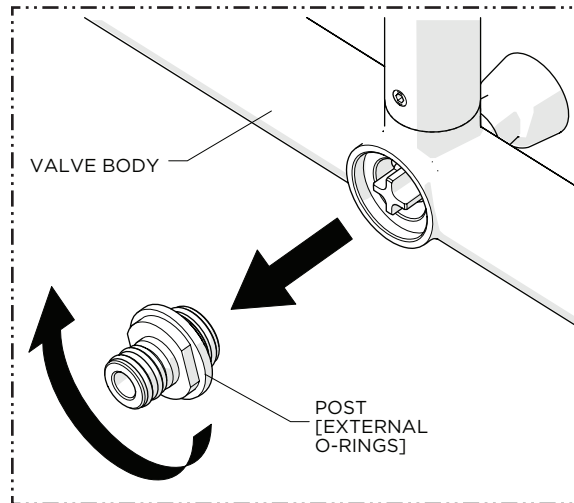
### SERVICING THE CARTRIDGE:

1. Unthread the GLAND COVER to remove the HANDLE, unthread and remove the RETAINING COLLAR, then remove the CARTRIDGE.

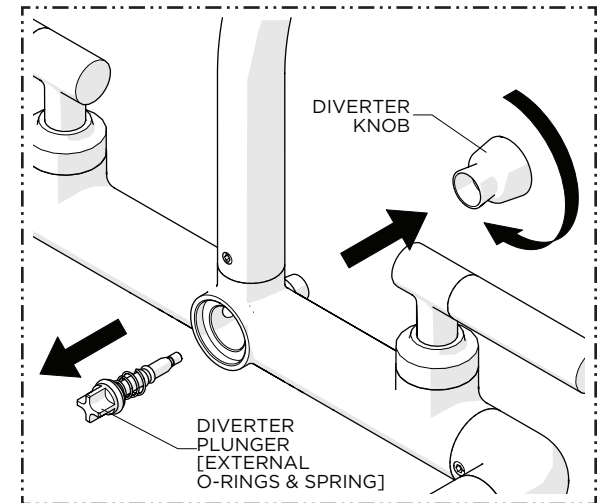


### SERVICING THE DIVERTER:

1. Loosen, but do **NOT** remove, the SET SCREW then pull the SUPPLY ELBOW to remove it from the VALVE BODY.



2. Unthread and remove the POST from the VALVE BODY.



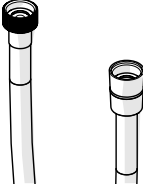
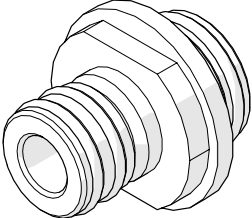
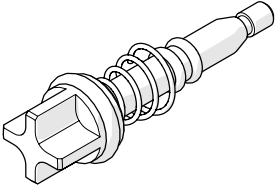
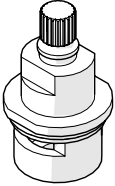
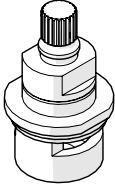
3. While holding the DIVERTER PLUNGER, unthread the KNOB from the PLUNGER then remove both parts.

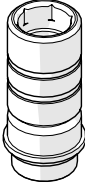
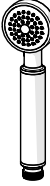


**NOTE:** A pair of needle nose pliers may be used to hold the PLUNGER during removal.

# WATERWORKS

## SERVICE GUIDELINES

**SERVICE PARTS:**

	PART No.	DESCRIPTION
	100273	HANDSHOWER HOSE
	100746	HANDSHOWER SLIP CONNECTION POST
	100607	PULL DIVERTER PLUNGER
	100604	RIGHT TURN CLOSE CARTRIDGE [HOT]
	100605	LEFT TURN CLOSE CARTRIDGE [COLD]

	PART No.	DESCRIPTION
	100608	SPOUT SLIP CONNECTION POST
	BNU054	HANDSHOWER
	103678	CHECK VALVE
	535592	FLOW REGULATING CHECK VALVE