

CANTEEN

CEKM15

Canteen One Hole High Profile Bar Faucet With Oak Lever Handle



TECHNICAL DETAILS

Deck Thickness Maximum: 57 mm
Deck Thickness Minimum: 6 mm
Escutcheon Primary Material: Brass
Fittings Hole Diameter: 35 mm
Flow Restriction Options: 2.0, 1.75, 1.5
Handle Turn Angle: Quarter Turn Each Way
Depth / Width: 281 mm
Height: 281 mm
Inlet Connection Size: 3/8"
Inlet Connection Type: Compression Connector Hoses
Installation Type: Deck Mounted
Integrated Diverter: N
Length: 70 mm
Number of Holes: Two Hole
Primary Material: Brass
Restricted Maximum Flow Rate: 8.3 liters/min
Spout Swivel: Y
Spray Included in Unit: N
Suggested Application: Bar, Kitchen, Laundry
Valve Material: Ceramic
Water Pressure Maximum: 6.0 bar
Water Pressure Minimum: 1.5 bar
Water Pressure Recommended: 3.0 bar

INSPIRATION

The traditional kitchen faucet, elevated into a luxurious, heavy-built product. Inspired by the clean simplicity of vintage water pumps, Canteen is sized for drama, with a tall, industrial-elegant spout and durable, handcrafted oak levers. This original, innovative silhouette brings character and dimension to a kitchen.

PRODUCT FEATURES

Inspired by the clean simplicity of vintage water pumps.

Features a tall, industrial-elegant spout and durable, handcrafted oak levers.

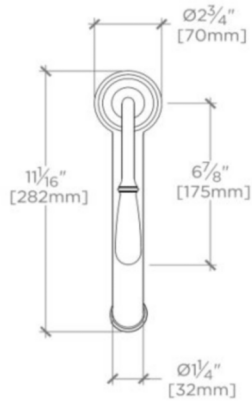
Standard flow rate is 2.2gpm (8.3 L/min) and State of California requires a maximum of 1.8gpm(6.8 L/min). Also available in high efficiency flow options. Contact a sales associate for details.

WATERWORKS

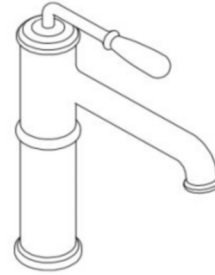
CANTEEN

CEKM15

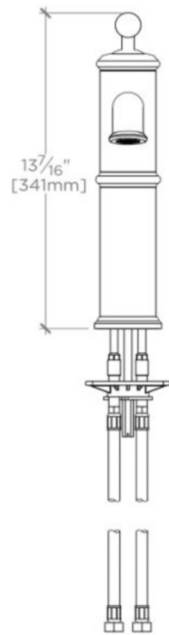
Canteen One Hole High Profile Bar Faucet With Oak Lever Handle



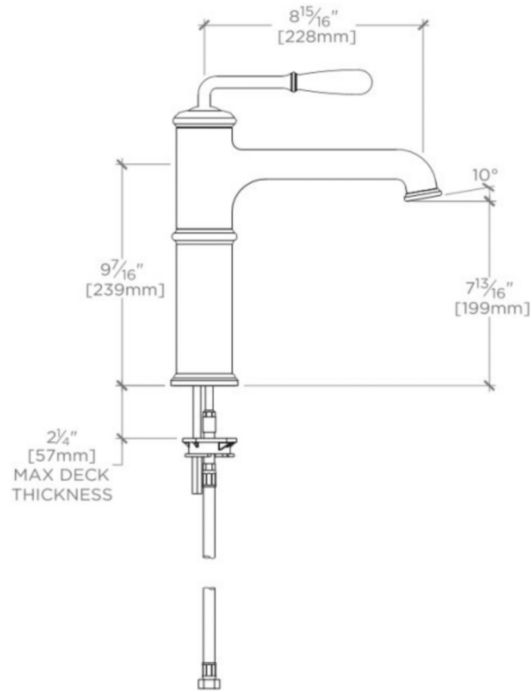
TOP VIEW SCALE: 1/2"=1'-0"



ISO VIEW SCALE: 1/2"=1'-0"



FRONT VIEW SCALE: 1/2"=1'-0"



SIDE VIEW SCALE: 1/2"=1'-0"