

## Bond

## BLS34A

Bond Tandem Series Wall Mounted Lavatory Faucet with Guilloche Lines Single Knob Handle



SHOWN IN BOND TANDEM SERIES WALL MOUNTED LAVATORY FAUCET WITH GUILLOCHE LINES SINGLE KNOB HANDLE | BLS34A

### TECHNICAL DETAILS

ADA Compliance: Yes  
 Drain Depth Maximum: 67 mm  
 Drain Depth Minimum: 10 mm  
 Drain Hole Diameter: 44 mm  
 Drain Style: Push Touch  
 Fittings Hole Diameter: 35 mm  
 Flow Restriction Options: 1.2  
 Handle Turn Angle: Quarter Turn  
 Inlet Connection Size: 1/2"  
 Inlet Connection Type: Female NPT  
 Number Of Holes: Two Hole  
 Primary Material: Brass  
 Restricted Maximum Flow Rate: 4.5 liters/min  
 Spout Swivel: N  
 Valve Material: Ceramic  
 Water Pressure Maximum: 6.0 bar  
 Water Pressure Minimum: 1.5 bar  
 Water Pressure Recommended: 3.0 bar

### INSPIRATION

Bond draws inspiration from the Aesthetic Movement, rare vintage lighters, and modern industrial design. The result is a contemporary collection with a soulful quality that inhabits the full range of modern style, from austere minimalism to warm contemporary.

### CODES & STANDARDS

BLS34AX, NSF/ANSI/CAN 61:Q < 1, NSF/ANSI/CAN 372, ASME A112.18.1/CSA B125.1, CEC, State of MA, WRAS

### PRODUCT FEATURES

Knob Handle

Includes European size push touch drain

Features Linear Guilloche Etching Knob Handle

Stocked in Nickel and Brass

Available in 1.2gpm (4.5L/min) flow rate; Requires rough valve, sold separately: GULV29

### CERTIFICATIONS

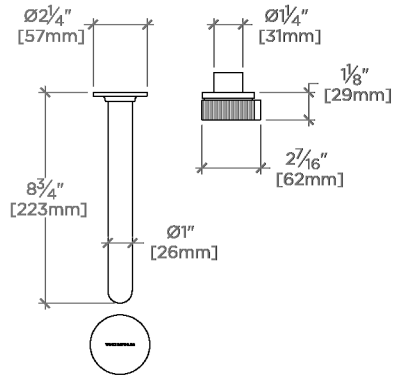


### PRODUCT (NOTES)

## Bond

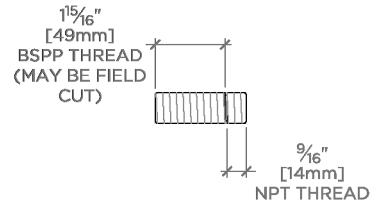
BLS34A

Bond Tandem Series Wall Mounted Lavatory Faucet with  
Guilloche Lines Single Knob Handle

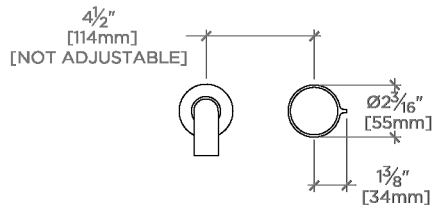


TOP VIEW

SCALE: 1/2"=1'-0"

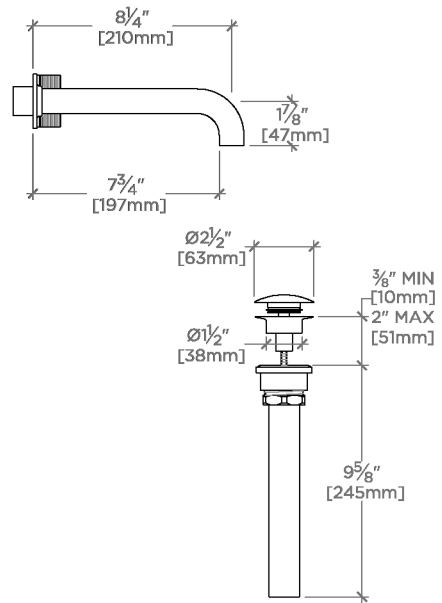


ADAPTER INCLUDED - INTERNATIONAL USE ONLY



FRONT VIEW

SCALE: 1/2"=1'-0"



SIDE VIEW

SCALE: 1/2"=1'-0"