

DASH

DSHS30

Dash Handshower on Hook with Diverter and Lever Handle



SHOWN IN DASH HANDSHOWER ON HOOK WITH DIVERTER AND LEVER HANDLE | DSHS30

TECHNICAL DETAILS

ADA Compliance: When installed per ADA guidelines
 Adjustable Versus Fixed Spray: Fixed Spray
 Depth/Width: 5"
 Diameter Of Head: 2 3/8"
 Escutcheon Primary Material: Brass
 Flow Restriction Options: 2.5, 2.2, 2.0, 1.75, 1.5, 0.92
 Handle Turn Angle: Quarter Turn
 Handshower Spray Hose Length: 59"
 Height: 9 5/16"
 Inlet Connection Type: 28mm Copper Compression
 Installation Type: Wall Mounted
 Integrated Diverter: N
 Integrated Spray: N
 Number Of Handles: One
 Pivot: N
 Primary Material: Brass
 Spray Included In Unit: Y
 Suggested Application: Bath
 Valve Material: Ceramic
 Water Pressure Maximum: 85.0 psi
 Water Pressure Minimum: 20.0 psi
 Water Pressure Recommended: 45.0 psi

INSPIRATION

A blend of art and function, Dash pays homage to design elements of the 1930s with pared-down shapes, softened curves and minimal details.

CODES & STANDARDS

CEC, State of MA

PRODUCT FEATURES

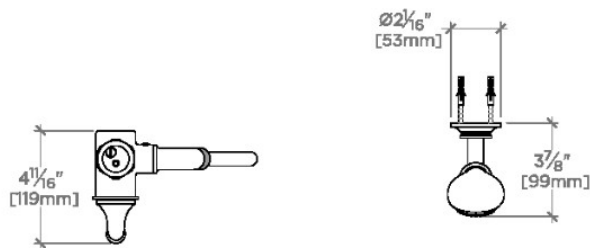
Stocked in Nickel, Chrome, Unlacquered Brass, and Matte Nickel finishes

Stocked in 2.5gpm (9.5 L/min) and 1.75gpm (6.6 L/min). State of California requires 1.75gpm (6.6 L/min) to comply with their water conservation requirements. Other flow options are available to order, contact your sales associate or call 1 (800) 899-6757 for details.

CERTIFICATIONS

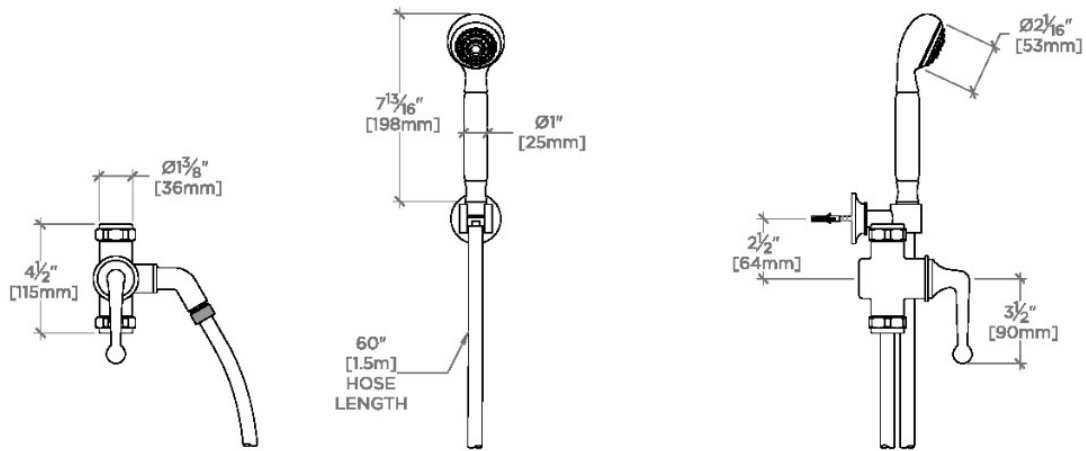
PRODUCT (NOTES)

Dash Handshower on Hook with Diverter and Lever Handle



TOP VIEW

SCALE: 1 1/2"=1'-0"



FRONT VIEW

SCALE: 1 1/2"=1'-0"

SIDE VIEW

SCALE: 1 1/2"=1'-0"