

## Boulevard

BDLS01

Boulevard Low Profile Three Hole Deck Mounted Lavatory Faucet with Metal Cross Handles



SHOWN IN BOULEVARD LOW PROFILE THREE HOLE DECK MOUNTED LAVATORY FAUCET WITH METAL CROSS HANDLES | BDLS01

### TECHNICAL DETAILS

ADA Compliance: Yes  
 Adjustable Versus Fixed Spray: Fixed Spray  
 Deck Thickness Maximum: 38 mm  
 Deck Thickness Minimum: 0 mm  
 Depth/Width: 191 mm  
 Drain Assembly Materials: Brass  
 Drain Depth Maximum: 44 mm  
 Drain Depth Minimum: 35 mm  
 Drain Hole Diameter: 44 mm  
 Drain Style: Pop-up  
 Escutcheon Primary Material: Brass  
 Fittings Hole Diameter: 32 mm  
 Handle Spread Maximum: 305 mm  
 Handle Spread Minimum: 203 mm  
 Handle Turn Angle: Quarter Turn  
 Height: 64 mm  
 Inlet Connection Size: 1/2"  
 Inlet Connection Type: Male with Supply Nut  
 Inlet Supply Spread Maximum: 305 mm  
 Inlet Supply Spread Minimum: 203 mm  
 Length: 362 mm  
 Number Of Holes: Three Hole  
 Primary Material: Brass  
 Restricted Maximum Flow Rate: 4.5 liters/min  
 Spout Swivel: N  
 Suggested Application: Bath  
 Valve Material: Ceramic  
 Water Pressure Maximum: 6.0 bar  
 Water Pressure Minimum: 1.5 bar  
 Water Pressure Recommended: 3.0 bar

### INSPIRATION

Inspiration from 1930s objects evokes extravagance: a strong silhouette, lavish scale and elegant decoration. Machine and artisan hands yield crisp details and curves.

### CODES & STANDARDS

BDLS01X, NSF/ANSI/CAN 61:Q < 1, NSF/ANSI/CAN 372, ASME A112.18.1/CSA B125.1, CEC, State of MA

### PRODUCT FEATURES

Metal cross handles

Includes European size pop up drain

Solidly sized and generous in scale, decorative elements convey a sense of substance

Stocked in Nickel and Unlacquered Brass

Available in 1.2gpm (4.5L/min) flow rate

### CERTIFICATIONS



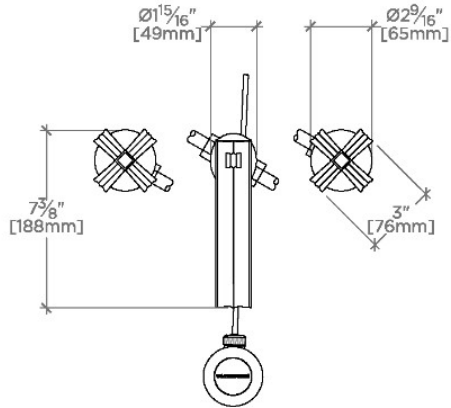
### PRODUCT (NOTES)

Sold with European style drain; USA style drain sold separately for use with non-Waterworks sinks.

## Boulevard

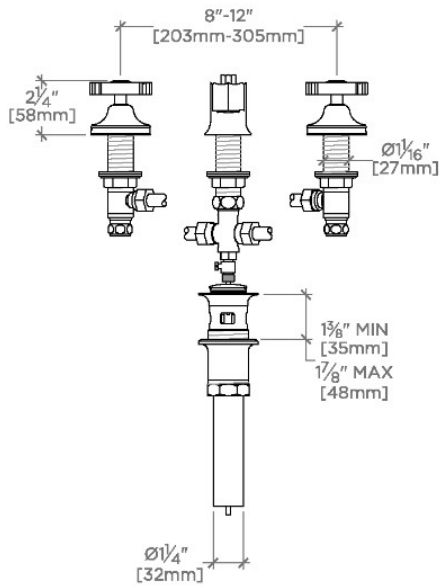
BDLS01

Boulevard Low Profile Three Hole Deck Mounted Lavatory  
Faucet with Metal Cross Handles



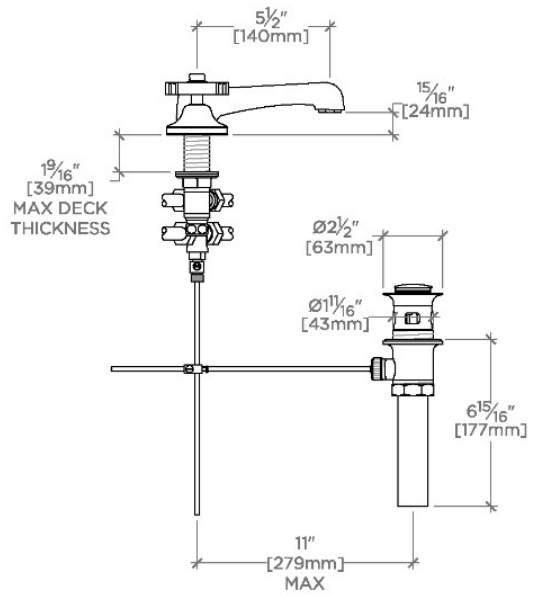
TOP VIEW

SCALE: 1/2"=1'-0"



FRONT VIEW

SCALE: 1/2"=1'-0"



SIDE VIEW

SCALE: 1/2"=1'-0"