

BELDEN

100648

Belden Single Vanity with Tapered Legs 24" x 21" x 33 1/4"



SHOWN IN BELDEN SINGLE VANITY WITH TAPERED LEGS 24" X 21" X 33 1/4" | 100648

TECHNICAL DETAILS

ADA Compliance: No
Adjustable Levelers Feet: N
Bowl Shape: Oval
Depth To Overflow: 4 1/2"
Drain Hole Depth: 1 3/4"
Drain Hole Diameter: 1 3/4"
Fittings Hole Depth: 1 1/4"
Fittings Hole Diameter: 1 3/8"
Overflow Opening: Yes
Primary Material: Wood
Sink Visibility: N

INSPIRATION

Classic with a twist: Reimagined in a distinctive transitional style, our wood paneled doors complement a range of hardware styles & lend instant architecture to a room.

CODES & STANDARDS

PRODUCT FEATURES

Designed by and exclusive to Waterworks

Hardware sold separately

Stocked in Clear Oak, Antique Walnut Finish or Factory Finished in Chalk, Driftwood, Midnight, Steel, Franklin Gray, or Whisper

Available with sink and slab top: use BEVN10

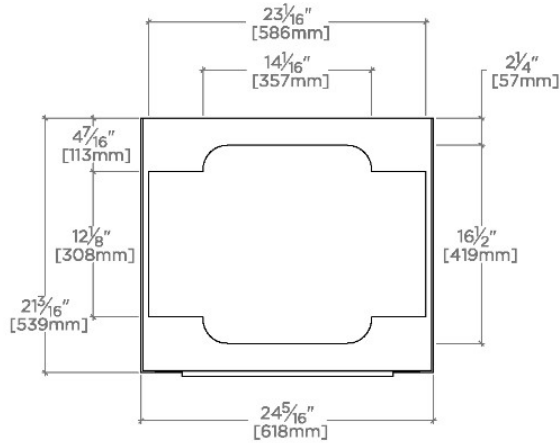
CERTIFICATIONS

PRODUCT (NOTES)

BELDEN

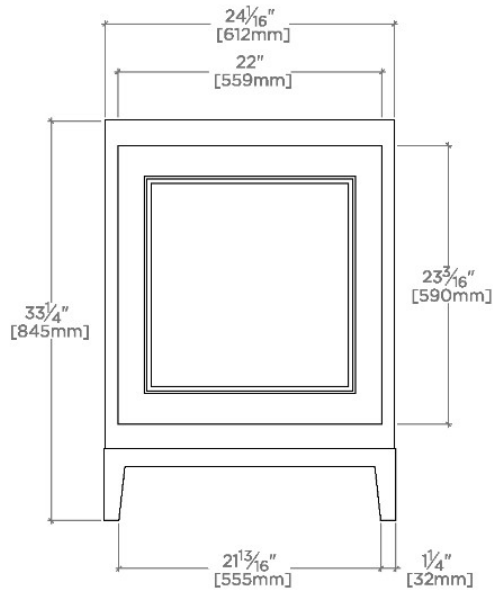
100648

Belden Single Vanity with Tapered Legs 24" x 21" x 33 1/4"



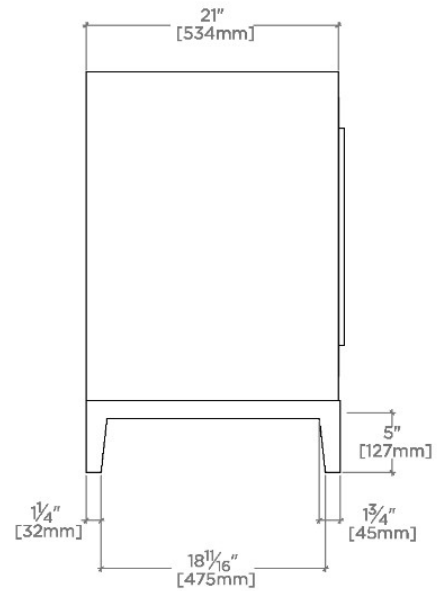
TOP VIEW

SCALE: 3/4"=1'-0"



FRONT VIEW

SCALE: 3/4"=1'-0"



SIDE VIEW

SCALE: 3/4"=1'-0"