

Alta

ALVN08

Alta Single Vanity with Square Legs and Hardware with SALV26 Sink and Slab 37" x 22 1/2" x 34 1/2" with 4" x 3/4" Backsplash



SHOWN IN ALTA SINGLE VANITY WITH SQUARE LEGS AND HARDWARE WITH SALV26 SINK AND SLAB 37" X 22 1/2" X 34 1/2" WITH 4" X 3/4" BACKSPLASH | ALVN08

TECHNICAL DETAILS

ADA Compliance: No
 Adjustable Levelers Feet: N
 Bowl Shape: Oval
 Depth To Overflow: 114 mm
 Drain Hole Depth: 44 mm
 Drain Hole Diameter: 44 mm
 Fittings Hole Depth: 32 mm
 Fittings Hole Diameter: 35 mm
 Overflow Opening: Yes
 Primary Material: Wood
 Sink Visibility: N

INSPIRATION

Modern & minimalist. Alta incorporates mid-century elements with notable architectural & industrial influences.

CODES & STANDARDS

PRODUCT FEATURES

- Designed by and exclusive to Waterworks
- Vanity with Integrated Hardware; specify Brass or Nickel when ordering
- Stocked in Clear Oak Finish
- Includes Saxby sink and choice of stocked stone tops in Carrara or Arabescato
- Install with or without backsplash (included)

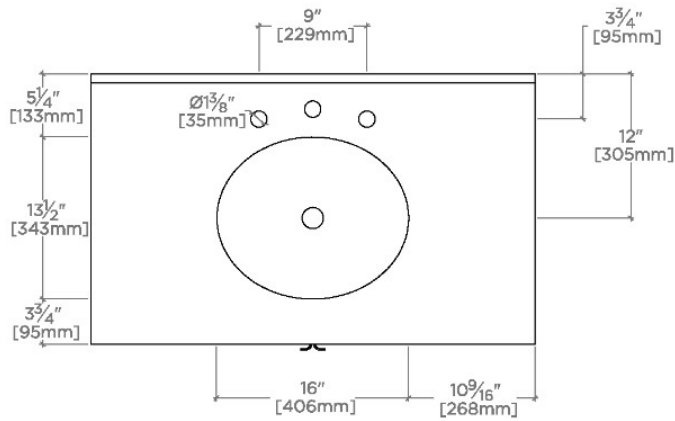
CERTIFICATIONS

PRODUCT (NOTES)

Alta

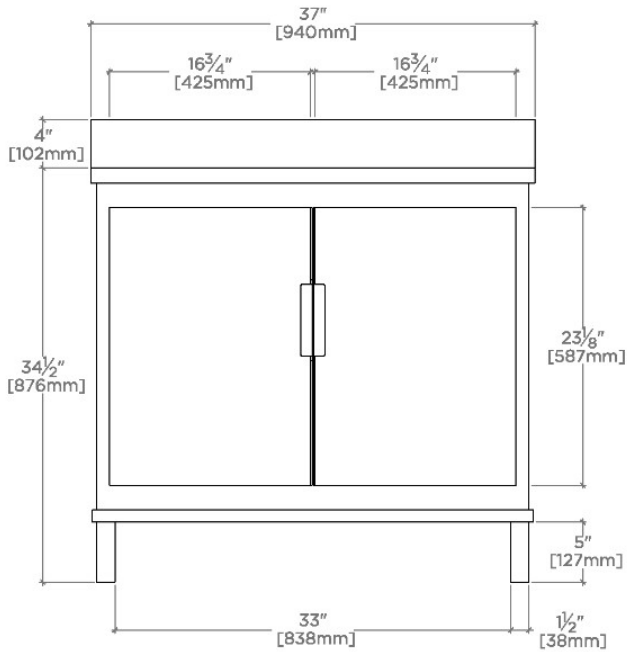
ALVN08

Alta Single Vanity with Square Legs and Hardware with
SALV26 Sink and Slab 37" x 22 1/2" x 34 1/2" with 4" x 3/4"
Backsplash



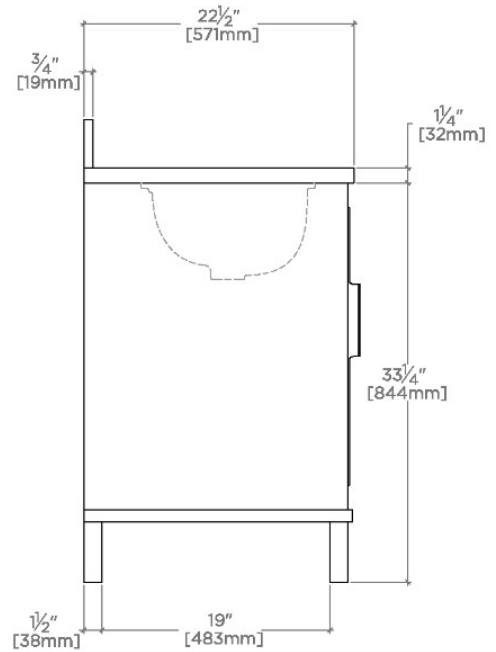
TOP VIEW

SCALE: 3/4"=1'-0"



FRONT VIEW

SCALE: 3/4"=1'-0"



SIDE VIEW

SCALE: 3/4"=1'-0"