

## Bond

BKM490

Bond Solo Series One Hole Gooseneck Bar Faucet with Straight Lever Handle



SHOWN IN BOND SOLO SERIES ONE HOLE GOOSENECK BAR FAUCET WITH STRAIGHT LEVER HANDLE | BKM490

### TECHNICAL DETAILS

ADA Compliance: Yes  
Deck Thickness Maximum: 38 mm  
Deck Thickness Minimum: 6 mm  
Fittings Hole Diameter: 35 mm  
Handle Turn Angle: Quarter Turn  
Inlet Connection Size: 3/8"  
Inlet Connection Type: Compression Connection  
Hoses  
Restricted Maximum Flow Rate: 4.5 liters/min  
Spout Swivel: Y  
Valve Material: Ceramic  
Water Pressure Maximum: 6.0 bar  
Water Pressure Minimum: 1.5 bar  
Water Pressure Recommended: 3.0 bar

### INSPIRATION

Modern designs infused with rare soul and artistry. Explore our wide range of Bond bath and kitchen elements, from fittings to fixtures to hardware.

### CODES & STANDARDS

BKM490X, NSF/ANSI/CAN 61:Q < 1, NSF/ANSI/CAN 372, ASME A112.18.1/CSA B125.1, CEC, State of MA

### PRODUCT FEATURES

Lever Handle

Handle rotates toward the front to prevent contact with backsplash

Stocked in Chrome, Nickel, Brass and Dark Nickel

### CERTIFICATIONS



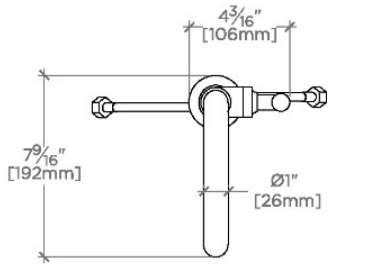
### PRODUCT (NOTES)

# WATERWORKS

## Bond

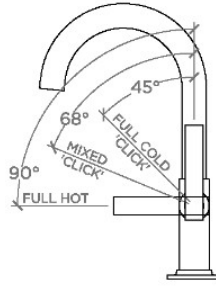
BKM490

Bond Solo Series One Hole Gooseneck Bar Faucet with Straight Lever Handle



TOP VIEW

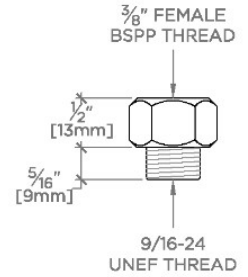
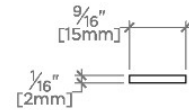
SCALE: 1/2"=1'-0"



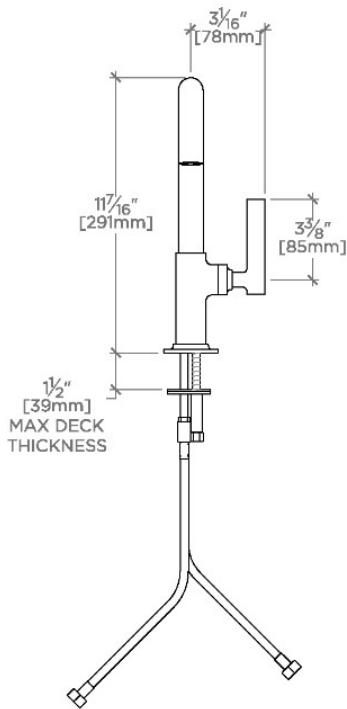
HANDLE OPERATION

SCALE: 1/2"=1'-0"

NOTE:  
ADAPTER AND GASKET (x2)  
INCLUDED - INTERNATIONAL  
USE ONLY

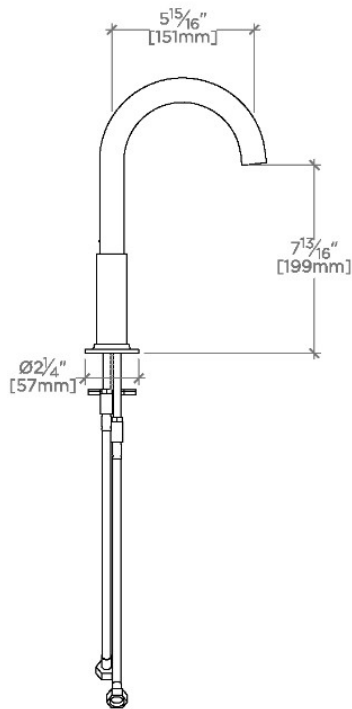


NOT TO SCALE



FRONT VIEW

SCALE: 1/2"=1'-0"



SIDE VIEW

SCALE: 1/2"=1'-0"