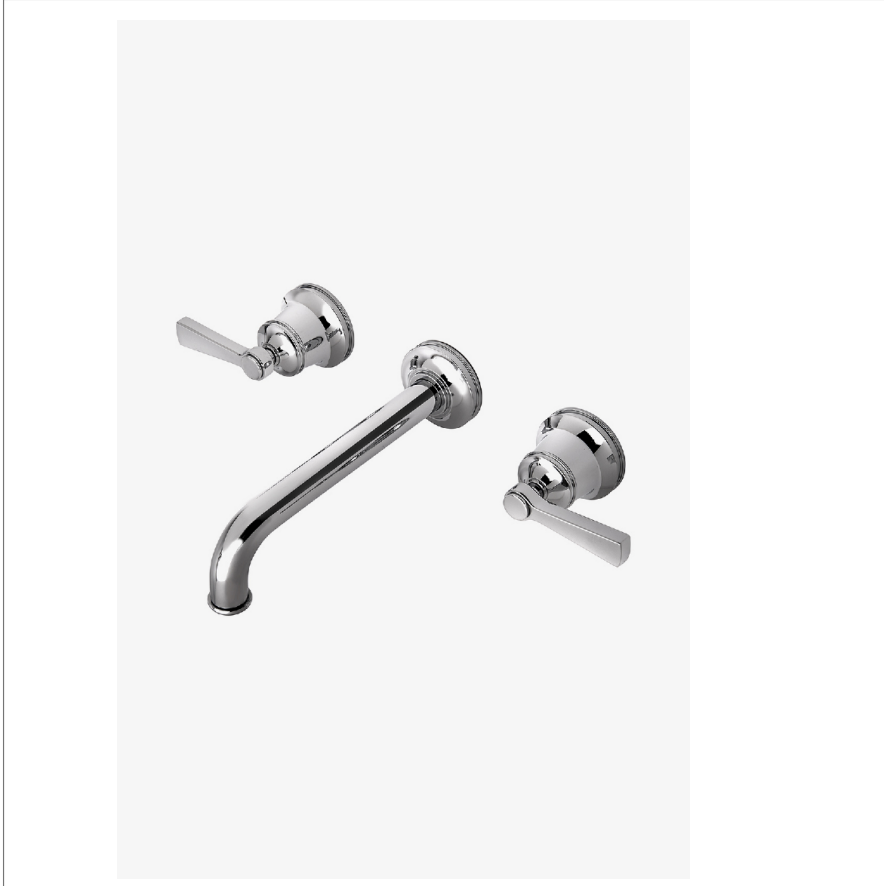


## Transit

TRLS70

Transit Wall Mounted Lavatory Faucet with Lever Handles



SHOWN IN TRANSIT WALL MOUNTED LAVATORY FAUCET WITH LEVER HANDLES | TRLS70

### TECHNICAL DETAILS

ADA Compliance: Yes  
 Drain Assembly Materials: Brass  
 Drain Style: USA Lift & Turn  
 Escutcheon Primary Material: Brass  
 Fittings Hole Diameter: 35 mm  
 Flow Restriction Options: 1.0 , 1.2 , 1.5 , 1.75, 2.2  
 Handle Spread Maximum: 203 mm  
 Handle Spread Minimum: 203 mm  
 Handle Turn Angle: Quarter Turn  
 Height: 76 mm  
 Inlet Connection Size: 1/2"  
 Inlet Connection Type: Female NPT  
 Inlet Supply Spread Maximum: 203 mm  
 Inlet Supply Spread Minimum: 203 mm  
 Length: 356 mm  
 Number Of Holes: Three Hole  
 Primary Material: Brass  
 Restricted Maximum Flow Rate: 4.5 liters/min  
 Valve Material: Brass, Ceramic  
 Water Pressure Maximum: 5.5 bar  
 Water Pressure Minimum: 1.5 bar  
 Water Pressure Recommended: 3.0 bar

### INSPIRATION

Stylish simplicity that fits into any decor. Each design represents a sophisticated mix of modern and traditional influences, streamlined into a sculpted and tapered look.

### CODES & STANDARDS

NSF/ANSI/CAN 61:Q < 1, CEC

### PRODUCT FEATURES

Lever Handles

Includes Universal Pop-Up Drain (UNLD40) which fits 1-1/2" through 1-3/4" drain hole openings

Stocked in Chrome, Nickel and Brass

Available in 1.2gpm (4.5L/min) flow rate

### CERTIFICATIONS

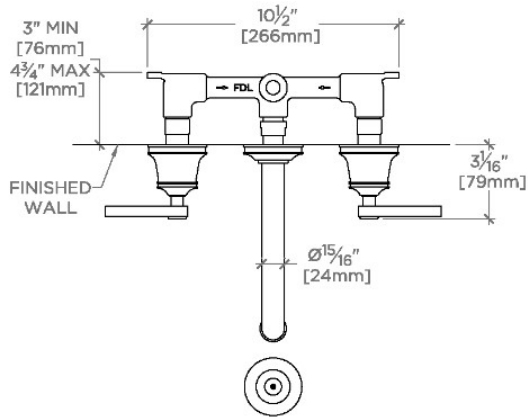
### PRODUCT (NOTES)

# WATERWORKS

## Transit

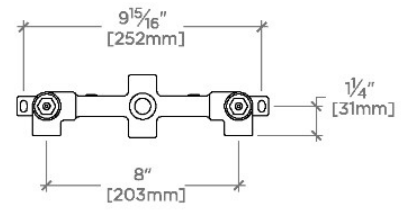
TRLS70

Transit Wall Mounted Lavatory Faucet with Lever Handles



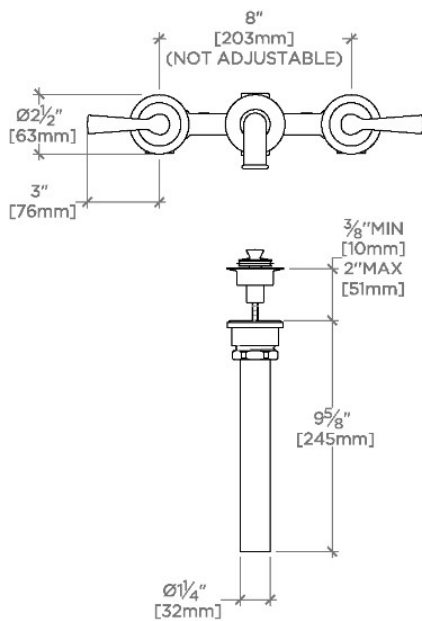
TOP VIEW

SCALE: 1/2"=1'-0"



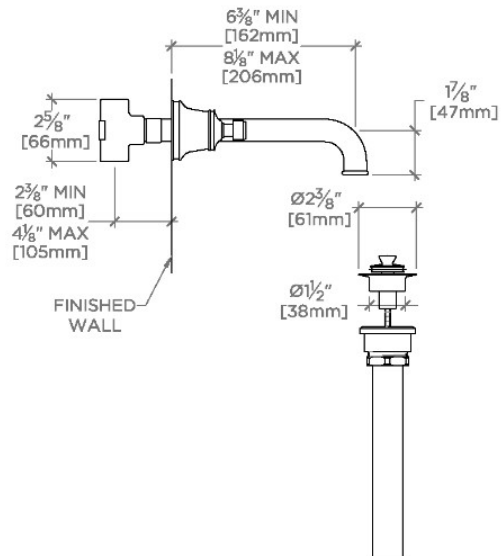
VALVE FRONT VIEW

SCALE: 1/2"=1'-0"



FRONT VIEW

SCALE: 1/2"=1'-0"



SIDE VIEW

SCALE: 1/2"=1'-0"