

BOND

BTH32B

Bond Tandem Series Integrated Thermostatic and Volume Control Trim with Two-Tone Guilloche Lines Knob and Lever Handles



SHOWN IN BOND TANDEM SERIES INTEGRATED THERMOSTATIC AND VOLUME CONTROL TRIM WITH TWO-TONE GUILLOCHE LINES KNOB AND LEVER HANDLES | BTH32B

TECHNICAL DETAILS

ADA Compliance: Yes
 Integrated Diverter: N
 Number Of Holes: Two Hole
 Primary Material: Brass

INSPIRATION

Modern designs infused with rare soul and artistry. Explore our wide range of Bond bath and kitchen elements, from fittings to fixtures to hardware.

CODES & STANDARDS

ASME A112.18.1/CSA B125.1, State of MA

PRODUCT FEATURES

Knob and Lever Handles

Allows bather to adjust temperature of all waterway outlets with a hot limit safety stop providing anti-scald protection

Features Two-Tone Lever and Knob Handles

Stocked in Nickel and Brass

Requires rough valve, sold separately: GUTH71 (USA) or GU71TH (UK/International)

CERTIFICATIONS

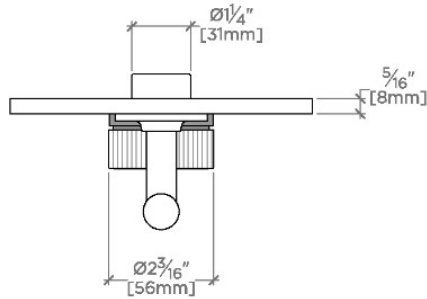


PRODUCT (NOTES)

BOND

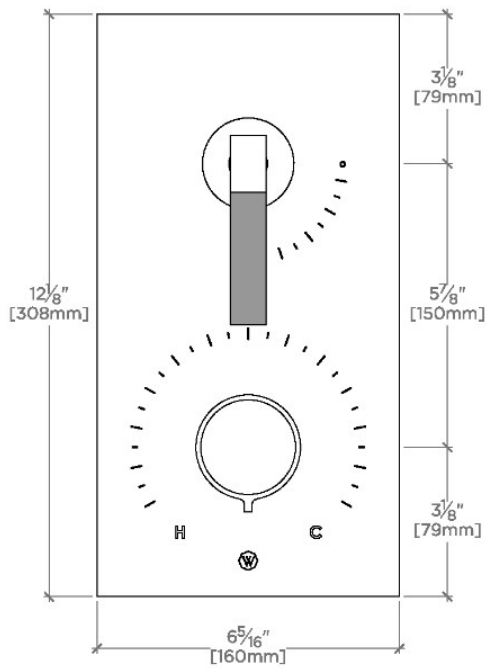
BTH32B

Bond Tandem Series Integrated Thermostatic and Volume Control Trim with Two-Tone Guilloche Lines Knob and Lever Handles



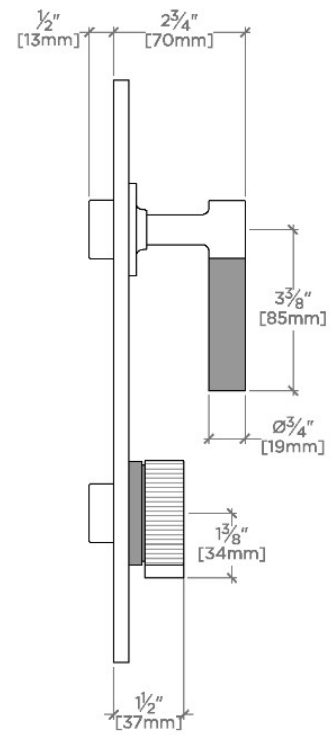
TOP VIEW

SCALE: 3"=1'-0"



FRONT VIEW

SCALE: 3"=1'-0"



SIDE VIEW

SCALE: 3"=1'-0"